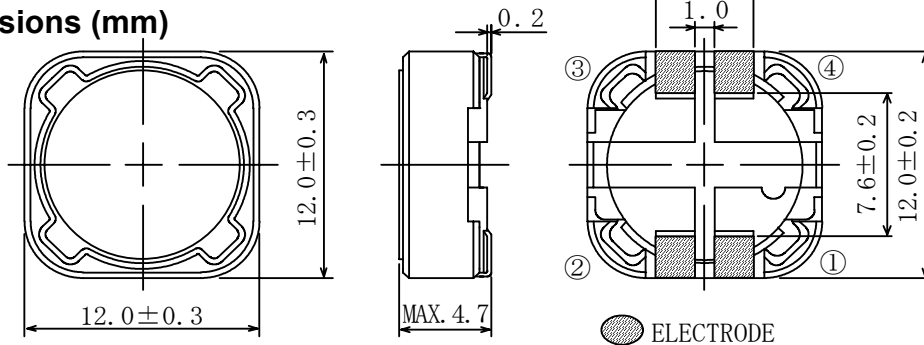
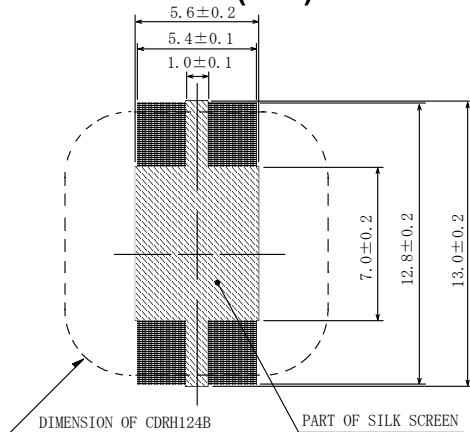
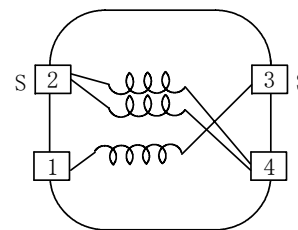


**Type: CDRH124B**
**◆ Product Description**

- 12.3×12.3mm Max.(L×W), 4.7mm Max. Height.
- Reference Inductance:6.8 μ H; rated current: 5.0A
- In addition to the standard versions of inductors shown here, custom inductors are available to meet your exact requirements.

**◆ Feature**

- Magnetically shielded construction.
- 4 Terminal pins' type gives a flexible design as inductors or transformers(SEPIC,ZETA circuit,etc).
- Ideally used in power supplies' module and portable devices such as Notebook PC,DSC/DVC,PDA, etc as DC-DC Converter inductors or Transformers.
- RoHS Compliance.

**◆ Dimensions (mm)**

**◆ Land Pattern (mm)**

**◆ Schematics (Bottom)**


“ S ” is winding start.

**◆ Specification**

		Measuring conditions	
Inductance	(2-4)	6.8 μ H±20% Within	100kHz
D.C.R.	(3-1)	Max.733mΩ (TYP.587mΩ)	At 20℃
D.C.R.	(2-4)	Max.26mΩ (TYP.21mΩ)	At 20℃
Rated current	(2-4) ※	5.0A	
Rated current	(3-1) ※	0.65A	

※ This indicates the DC current at which the inductance decreases to 75% of its nominal value or D.C. current at which  $\Delta t=40^{\circ}\text{C}$ , whichever is lower.( $T_a=20^{\circ}\text{C}$ )