



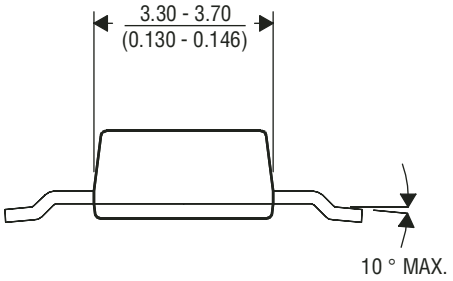
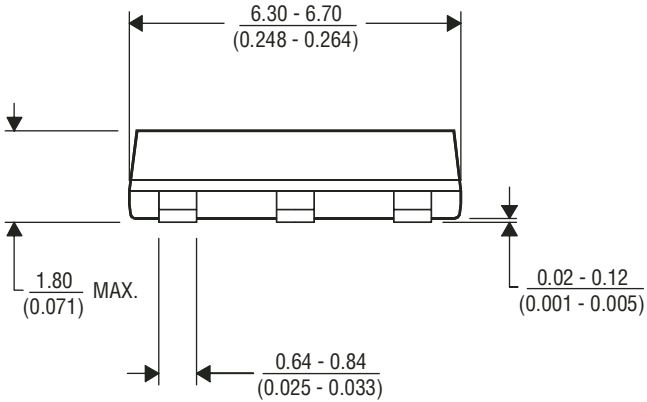
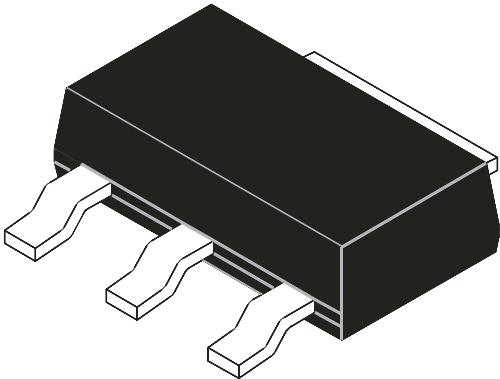
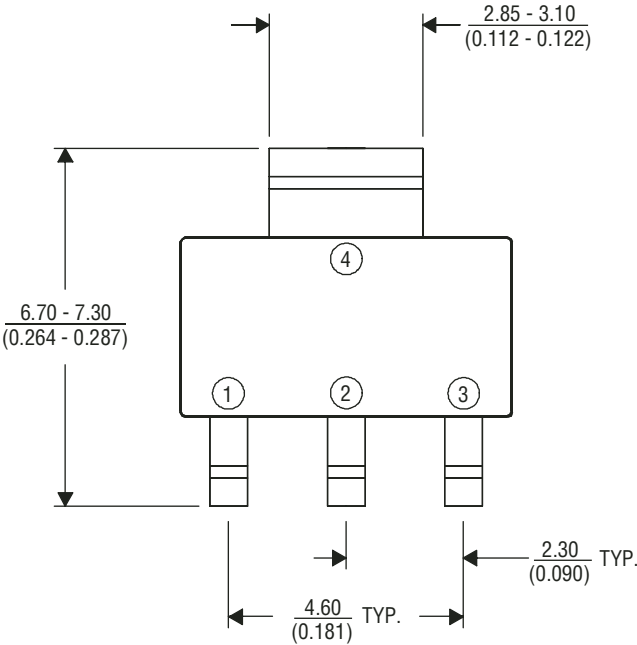
BOURNS®

SOT-223

Package Outline Dimensions

4-Pin Plastic Small Outline Surface Mount

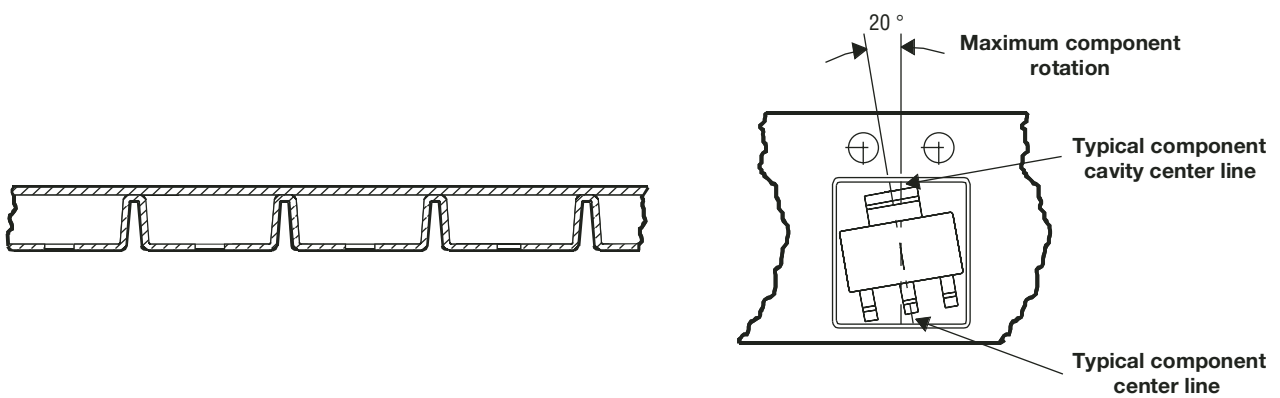
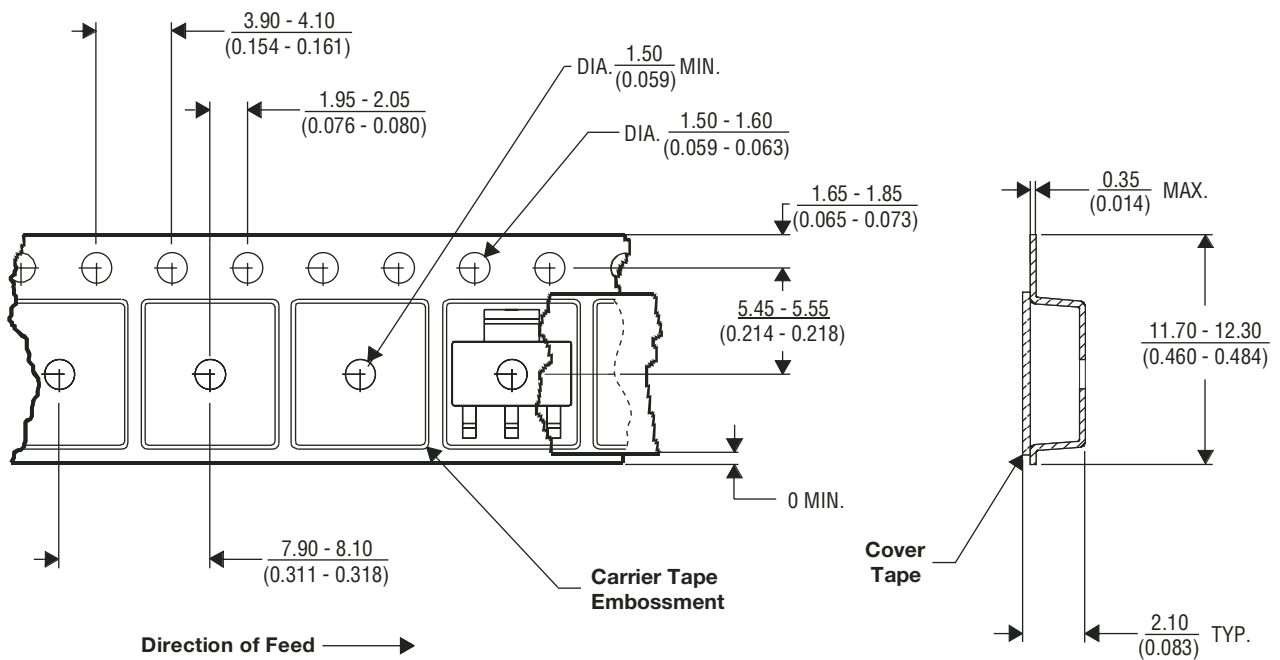
TO-261AA, JEDEC Publication 95



DIMENSIONS ARE : MILLIMETERS
(INCHES)

Tape Dimensions

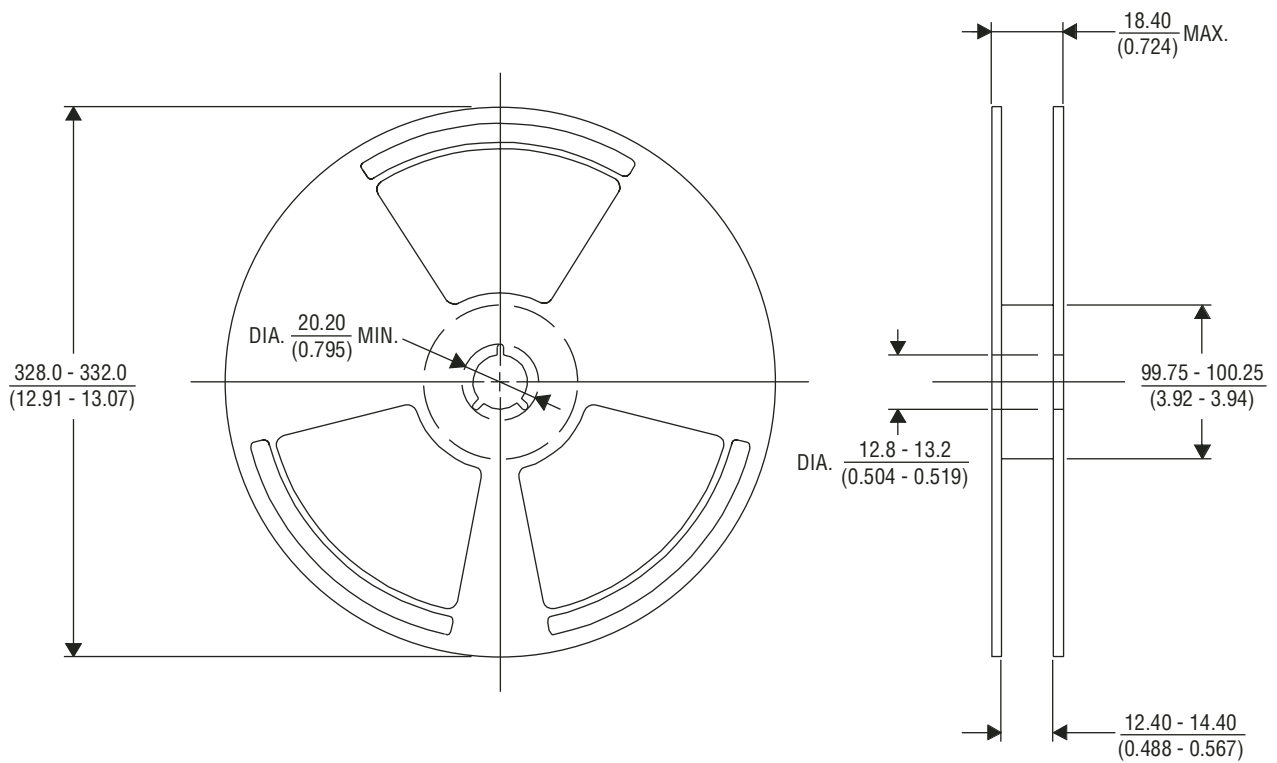
4-Pin Plastic Small Outline Surface Mount Single-Sprocket Tape



DIMENSIONS ARE: $\frac{\text{MILLIMETERS}}{\text{(INCHES)}}$

Reel Dimensions

4-Pin Plastic Small Outline Surface Mount Reel



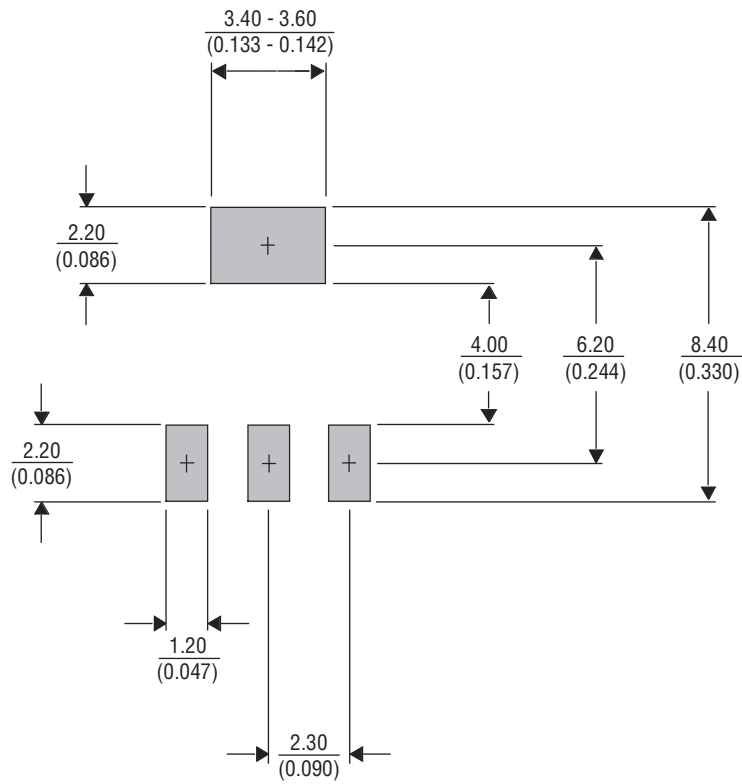
DIMENSIONS ARE: $\frac{\text{MILLIMETERS}}{\text{(INCHES)}}$

NOTE: 2500 devices per reel.

MD-SOT223-004-a

Recommended Printed Wiring Land Pattern Dimensions

4-Pin Plastic Small Outline Surface Mount Printed Wiring Land Pattern



DIMENSIONS ARE : $\frac{\text{MILLIMETERS}}{\text{(INCHES)}}$

MD-SOT223-005-a

Bourns Sales Offices

<u>Region</u>	<u>Phone</u>	<u>Fax</u>
The Americas:	+1-951-781-5500	+1-951-781-5700
Europe:	+41-41-7685555	+41-41-7685510
Asia-Pacific:	+886-2-25624117	+886-2-25624116

Technical Assistance

<u>Region</u>	<u>Phone</u>	<u>Fax</u>
The Americas:	+1-951-781-5500	+1-951-781-5700
Europe:	+41-41-7685555	+41-41-7685510
Asia-Pacific:	+886-2-25624117	+886-2-25624116

www.bourns.com

Bourns® products are available through an extensive network of manufacturer's representatives, agents and distributors. To obtain technical applications assistance, a quotation, or to place an order, contact a Bourns representative in your area.



Reliable Electronic Solutions