

FEATURES

- 2 Year Warranty
- 100% Full Load Burn-In Test
- Universal AC Input/ Full Range
- Low Leakage Current < 0.75mA
- Cooling by Free Air Convection
- Fixed Switching Frequency at 65KHz
- Short Circuit, Overload, and Over Voltage Protected



SPECIFICATIONS: PSPT45 Series	
All specifications are based on 25°C, Nominal Input Voltage, and Maximum Output Current unless otherwise noted. We reserve the right to change specifications based on technological advances.	
INPUT SPECIFICATIONS	
Input Voltage	90 – 264VAC (127 – 370VDC)
Input Frequency	47 ~ 440Hz
AC Current (typical)	1A @ 115VAC 0.7A @ 230VAC
Inrush Current	15A @ 115VAC cold start 30A @ 230VAC cold start.
Leakage Current	< 0.75mA
OUTPUT SPECIFICATIONS	
Output Voltage	See Table
Output Voltage Tolerance (See Note 3)	CH 1: ±4% CH.2: ±7% CH 3: ±5%
Voltage Adjustment Range	CH1: 4.75 ~ 5.5V
Output Power (max)	Rated output power for convection; 52W with 18CFM min. forced air.
Line Regulation	CH 1: ±1% CH.2: ±2% CH 3: ±1%
Load Regulation	CH 1: ±3% CH.2: ±4% CH 3: ±1%
Output Current	See Table
Ripple & Noise (See Note 2)	See table
Setup, Rise Time	800ms, 20ms at full load
Hold Up Time	60ms at full load
Temperature Coefficient	±0.04%/°C (0~50°C) on +5V output.
PROTECTION	
Over Voltage Protection	CH.1: 5.75 ~ 6.75VDC Protection Type: Hiccup mode, recovers automatically after fault condition is removed.
Overload Protection	53 ~ 75W rated output power. Protection Type: Hiccup mode, recovers automatically after fault condition is removed.
GENERAL SPECIFICATIONS	
Switching Frequency (fixed)	65KHz
Efficiency (typical)	75%
Withstand Voltage	3KVAC (input to output), 1.5KVAC (input to FG), 0.5KVAC (output to FG). All for one minute.
Isolation Resistance	100MΩ / 500VDC (input to output, input to FG, output to FG)
ENVIRONMENTAL SPECIFICATIONS	
Working Temperature	-10°C to +60°C (refer to output load derating curve)
Storage Temperature	-20°C to +85°C
Working Humidity (non-condensing)	20% ~ 90% RH non-condensing
Storage Humidity (non-condensing)	10% ~ 95% RH
Vibration	10~500Hz, 2G 10min./1cycle, Period for 60 minutes each along X, Y, and Z axes.
MTBF	288,100 hours min. MIL-HDBK-217 (25°C)
PHYSICAL SPECIFICATIONS	
Weight	28 oz.
Dimensions	127(L) x 76(W) x 28(H) mm
Warranty	2 years
SAFETY & EMC	
Safety Standards	UL60950-1, TUV EN60950-1 Approved
EMI Conduction and Radiation	Compliance to EN55022 (CISPR22) Class B
Harmonic Current	Compliance to EN61000-3-2,3
EMS Immunity	Compliance to EN61000-4-2,3,4,5,6,8,11; ENV50204, EN55024, Light industry level, criteria A.

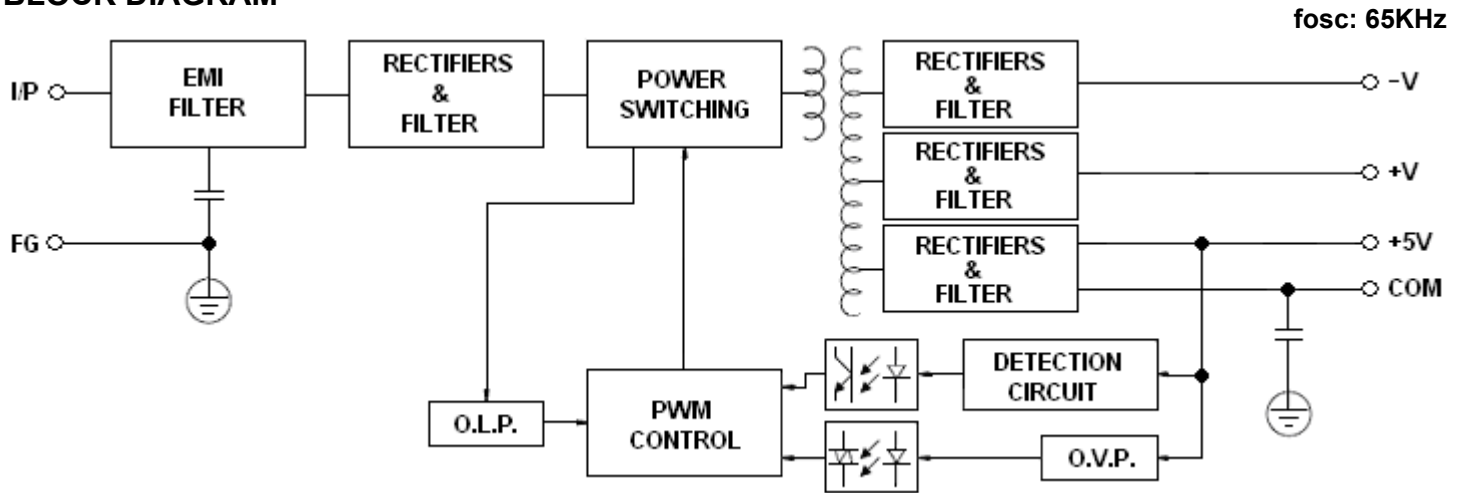
OUTPUT VOLTAGE / CURRENT RATING CHART

Model		Input Voltage	Output Voltage	Output Current Range	Rated Output Current	Ripple & Noise	Output Power
PSPT-45A	Channel 1	90~264 VAC (127~370 VDC)	5 VDC	0.4 ~ 5A	3A	50mVp-p	40.5W
	Channel 2		12 VDC	0.2 ~ 2.5A	2A	120mVp-p	
	Channel 3		-5 VDC	0 ~ 0.5A	0.3A	50mVp-p	
PSPT-45B	Channel 1		5 VDC	0.4 ~ 5A	3A	50mVp-p	42.6W
	Channel 2		12 VDC	0.2 ~ 2.5A	2A	120mVp-p	
	Channel 3		-12 VDC	0 ~ 0.5A	0.3A	100mVp-p	
PSPT-45C	Channel 1		5 VDC	0.4 ~ 5A	3A	50mVp-p	43.5W
	Channel 2		15 VDC	0.2 ~ 2.3A	1.6A	120mVp-p	
	Channel 3		-15 VDC	0 ~ 0.5A	0.3A	100mVp-p	

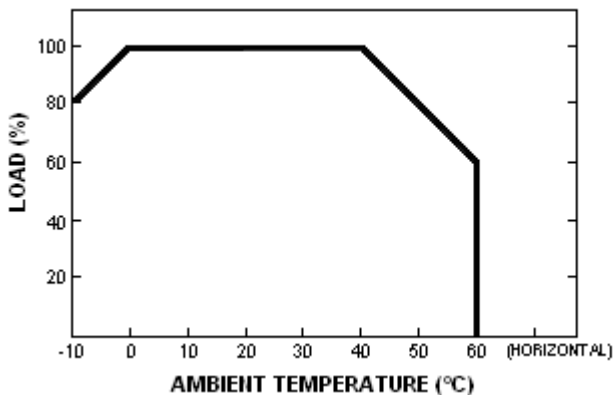
NOTES

1. All parameters not specially mentioned are measured at 230VAC input, rated load, and 25°C ambient temperature.
2. Ripple & noise are measured at 20MHz using a 12" twisted pair-wire terminated with 0.1uF & 47uF capacitors in parallel.
3. Tolerance: includes set up tolerance, line regulation, and load regulation.
4. The power supply is considered a component, which will be installed into final equipment. The final equipment must be re-confirmed that it still meets EMC directives.
5. Mounting holes M1 and M2 should be grounded for EMI purposes.

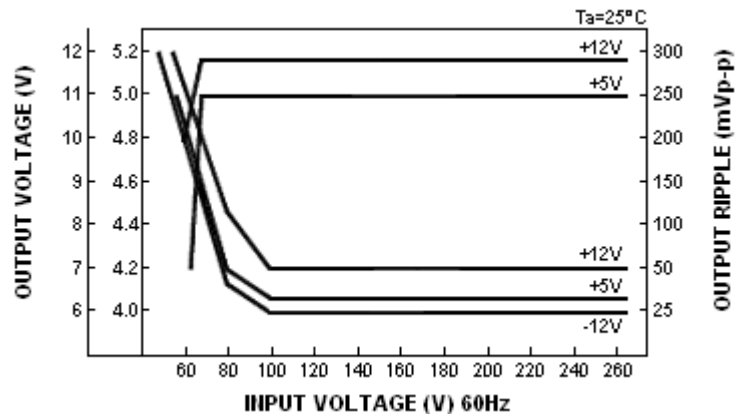
BLOCK DIAGRAM



DERATING CURVE

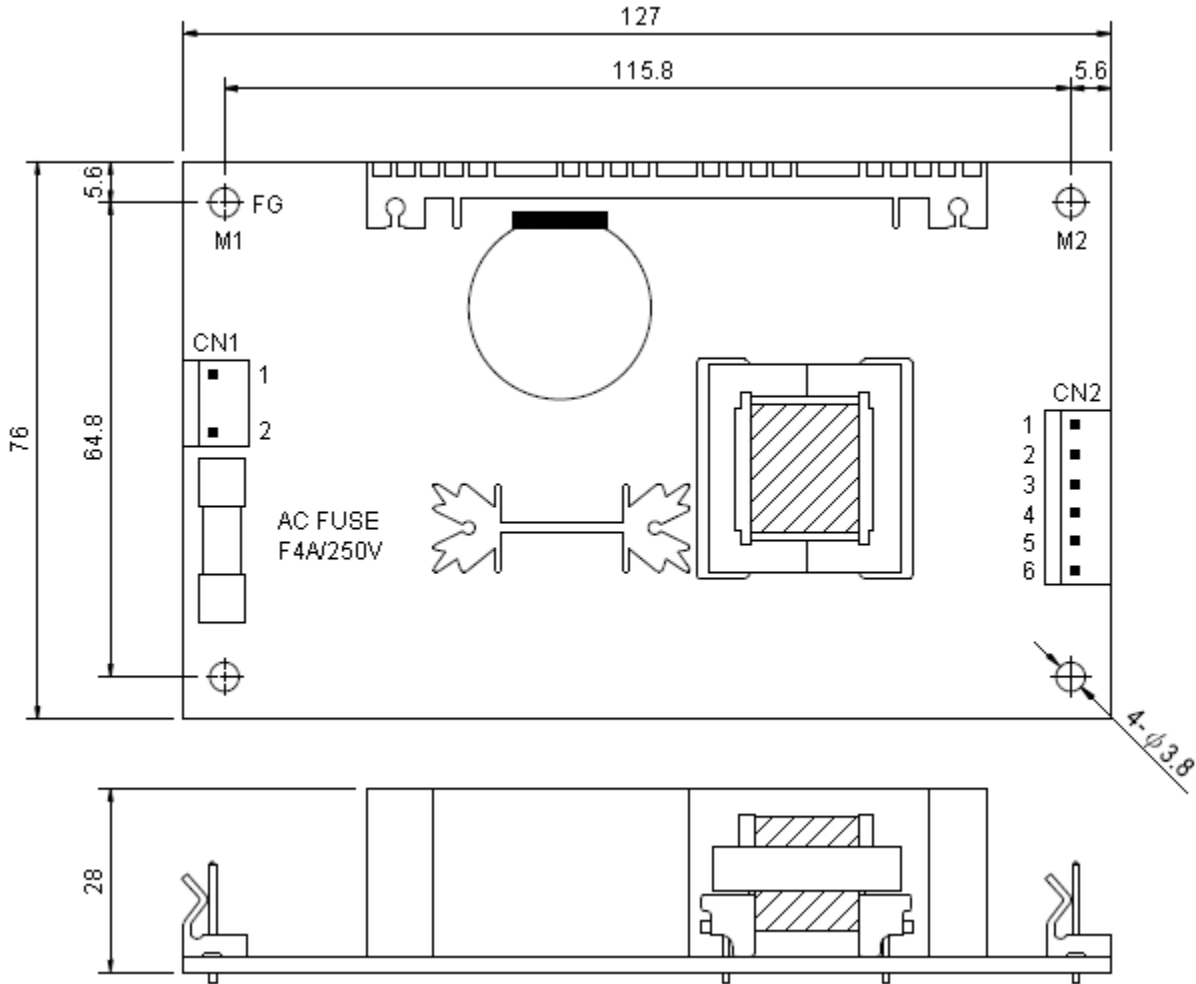


STATIC CHARACTERISTICS (B)



MECHANICAL DRAWING

Unit: mm



AC INPUT CONNECTOR (CN1)	
Pin. No	Assignment
1	AC/N
2	AC/L

DC OUTPUT CONNECTOR (CN2)	
Pin No.	Assignment
1	+V
2,3	+5V
4,5	COM
6	-V