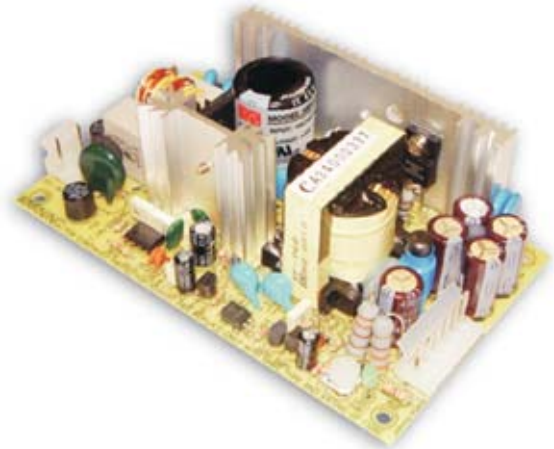


FEATURES

- Medical Application
- Low Cost, High Reliability
- 100% Full Load Burn-In Test
- Universal AC Input/ Full Range
- Built-In EMI Filter, Low Ripple Noise
- High Efficiency, Low Working Temperature
- Short Circuit, Overload, and Over Voltage Protected



SPECIFICATIONS: PSMPT65 Series

All specifications are based on 25°C, Nominal Input Voltage, and Maximum Output Current unless otherwise noted.
We reserve the right to change specifications based on technological advances.

INPUT SPECIFICATIONS

Input Voltage	90 – 264VAC (127 – 370VDC)
Input Frequency	47 to 440Hz
AC Current (typical)	1.6A @ 115VAC / 1A @ 230VAC
Inrush Current	20A @ 115VAC cold start / 40A @ 230VAC cold start.
Leakage Current	Less than 0.3mA @ 264VAC

OUTPUT SPECIFICATIONS

Output Voltage	See Table
Output Voltage Tolerance	±4% (CH.1) +10%, -7% (CH.2), ±5% (CH.3)
Output Adjustment Range	CH1: ±10% rated output voltage.
Output Power (max)	72 Watts max. with 18CFM minimum forced airflow.
Line Regulation	±1% (CH.1 & CH.3), ±2% (CH.2)
Load Regulation	±3% (CH.1), ±4% (CH.2), ±1% (CH.3)
Output Current	See Table
Ripple & Noise (20MHz BW)	See Table
Setup, Rise Time	800ms, 20ms at full load and 230VAC, 800ms, 20ms at full load and 115VAC.
Hold-Up Time	80ms at full load and 230VAC, 12ms at full load and 115VAC,
Temperature Coefficient	±0.04%/°C (0~50°C) on +5V output.

PROTECTION

Over Voltage Protection	CH.1: 115~135% rated output voltage.
Overload Protection	73~105W hiccup mode, auto-recovery.

GENERAL SPECIFICATIONS

Switching Frequency (fixed)	45KHz
Efficiency	74% typical
Isolation Voltage (Input to Output)	4000VAC for 1 minute
Isolation Voltage (Input to FG)	1500VAC for 1minute
Isolation Voltage (Output to FG)	500VAC for 1 minute
Isolation Resistance (Input to Output)	100MΩ / 500VDC

ENVIRONMENTAL SPECIFICATIONS

Operating Temperature	-10°C to +55°C (refer to derating curve)
Storage Temperature	-20°C to +85°C
Operating Humidity (non-condensing)	20% to 90% RH
Storage Humidity (non-condensing)	10%~95% RH
Vibration	10~500Hz, 2G 10min./1cycle, Period for 60 minutes each along X, Y, and Z axes.
Cooling	Free air convection
MTBF	275,100 hours min. MIL-HDBK-217 (25°C)

PHYSICAL SPECIFICATIONS

Weight	280g
Dimensions	127(L) x 76(W) x 42(H) mm PCB only
Warranty	3 years

SAFETY & EMC

Agency Approvals	UL/ CUL/ TUV/ CB/ CE
Safety Standards	UL2601-1, TUV EN60601-1, IEC601-1 Approved
EMC Standards	EN55011 class B, EN61000-4-2,3,4,5,6,8,11, EN61000-3-2,3, EN60601-1-2, ENV50204

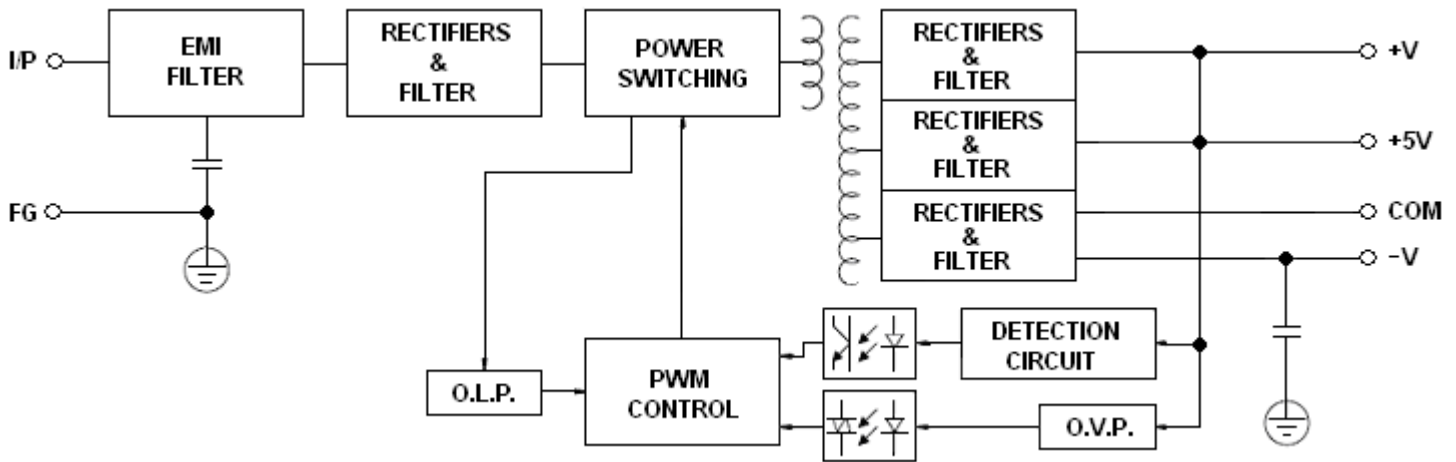
OUTPUT VOLTAGE / CURRENT RATING CHART

Model		Input Voltage	Output Voltage	Output Current Range	Output Current	Ripple & Noise	Output Power
PSMPT65A	Channel 1	90~264 VAC 127~370 VDC	5 VDC	0.4 - 7A	5.5A	60mVp-p	60W
	Channel 2		12 VDC	0.2 - 3.2A	2.5A	120mVp-p	
	Channel 3		-5 VDC	0 - 0.7A	0.5A	60mVp-p	
PSMPT65B	Channel 1		5 VDC	0.4 - 7A	5.5A	60mVp-p	63.5W
	Channel 2		12 VDC	0.2 - 3.2A	2.5A	160mVp-p	
	Channel 3		-12 VDC	0 - 0.7A	0.5A	100mVp-p	
PSMPT65C	Channel 1		5 VDC	0.4 - 7A	5.5A	60mVp-p	65W
	Channel 2		15 VDC	0.2 - 2.6A	2A	180mVp-p	
	Channel 3		-15 VDC	0 - 0.7A	0.5A	100mVp-p	

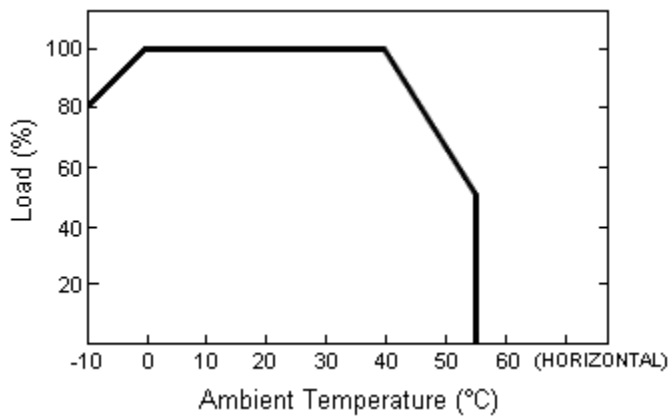
NOTES

1. All parameters are specified at 230VAC input, rated load, 25°C ambient.
2. Tolerances include set up tolerance, line regulation, load regulation.
3. Line regulation is measured from low line to high line at rated load.
4. Mounting holes M1 and M2 should be grounded for EMI purposes.
5. Ripple & noise are measured at 20MHz by using a 12" twisted pair terminated with a 0.1uF & 47uF capacitor.

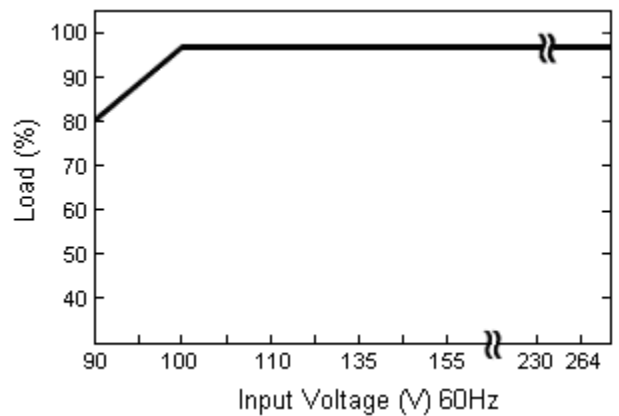
BLOCK DIAGRAM



DERATING CURVE

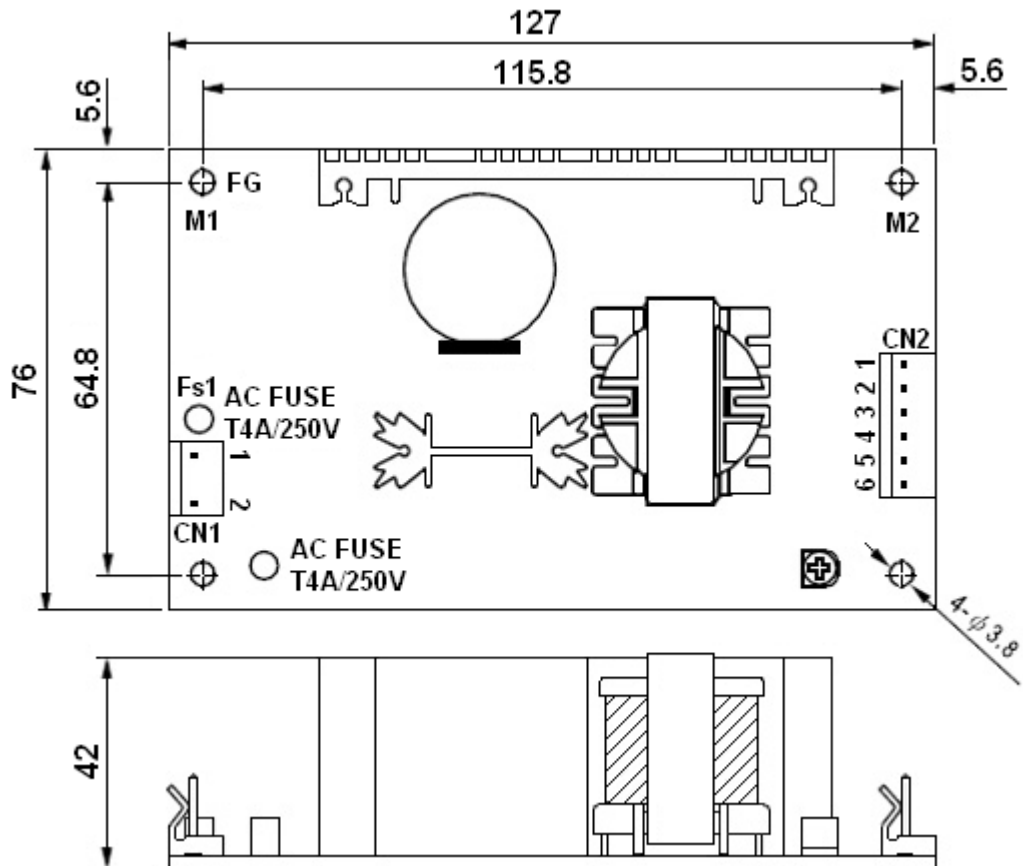


STATIC CHARACTERISTICS



MECHANICAL DRAWING

Unit: mm



AC Input Connector (CN1): Molex 5277-02 or equivalent

Pin. No	Assignment	Mating Housing	Terminal
1	AC/N	Molex 5195 or equivalent	Molex 5194 or equivalent
2	AC/L		

DC Output Connector (CN2): Molex 5273-06 or equivalent

Pin No.	Assignment	Mating Housing	Terminal
1	+V	Molex 5195 or equivalent	Molex 5194 or equivalent
2,3	+5V		
4,5	COM		
6	-V		