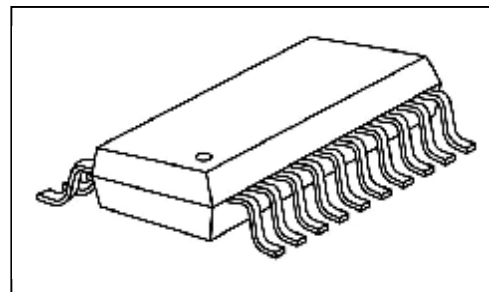




## Features

- I 16 constant-current output channels
- I Constant output current invariant to load voltage change
- I Excellent output current accuracy:  
between channels:  $<\pm 3\%$  (max.), and  
between ICs:  $<\pm 6\%$  (max.)
- I Output current adjusted through an external resistor
- I Constant output current range: 5-90 mA
- I Fast response of output current,  $\overline{OE}$  (min.):  $10\ \mu\text{s}$
- I Schmitt trigger input
- I 5V supply voltage
- I Package Type: TSSOP20 with thermal pad

**CT: TSSOP20-173-0.65**

| Current Accuracy |             | Conditions                        |
|------------------|-------------|-----------------------------------|
| Between Channels | Between ICs |                                   |
| $< \pm 3\%$      | $< \pm 6\%$ | $I_{OUT} = 10 \sim 60\ \text{mA}$ |

## Product Description

MBI1816 is an instant On/Off LED driver for lighting applications and exploits PrecisionDrive™ technology to enhance its output characteristics. At MBI1816 output stage, sixteen regulated current ports are designed to provide uniform and constant current sinks for driving LEDs within a large range of  $V_F$  variations.

MBI1816 provides users 16-channel constant current ports to match LEDs with equal current. Users may adjust the output current from 5 mA to 90 mA through an external resistor,  $R_{ext}$ , which gives users flexibility in controlling the light intensity of LEDs. In addition, users can adjust device brightness via  $\overline{OE}$  pin. The duty cycle of  $\overline{OE}$  can decide the brightness intensity from 0% to 100%. MBI1816 guarantees to endure maximum 17V at the output ports.

Additionally, to ensure the system reliability, MBI1816 is provided in the TSSOP20 with thermal pad for dramatically increased power dissipation capability. As a result, a large amount of current can be handled safely in one package.

## Applications

- I Automotive Interior Lighting
- I Channel Letter
- I Decoration Lighting

Typical Application Circuit

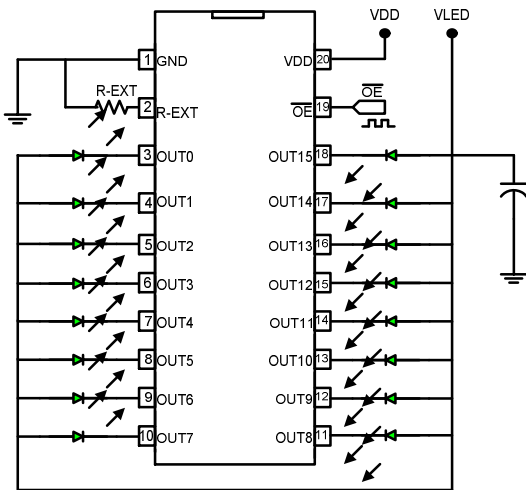
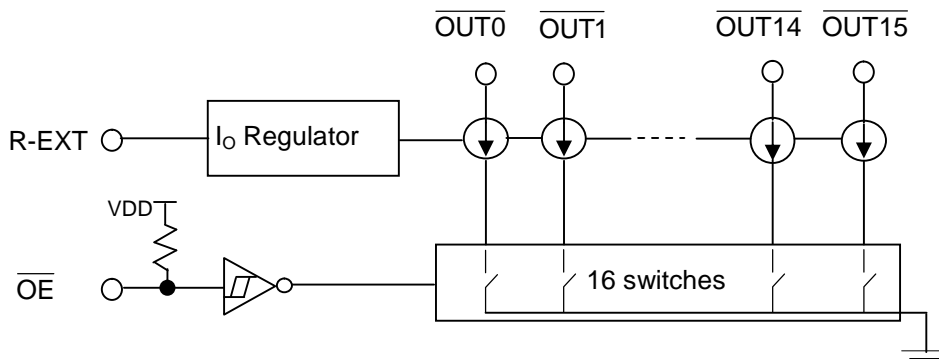


Figure 1

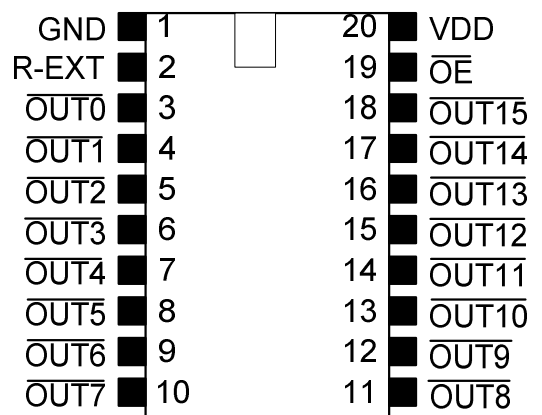
Block Diagram



Terminal Description

| Pin Name  | Function   |
|---|--|
| GND   | Ground terminal for control logic and current sink   |
| $\overline{\text{OUT0}} \sim \overline{\text{OUT15}}$ | Constant current output terminals  |
| $\overline{\text{OE}}$                                | Output enable terminal<br>When $\overline{\text{OE}}$ (active) low, the output drivers are enabled; when $\overline{\text{OE}}$ high, all output drivers are turned OFF (blanked). |
| R-EXT   | Terminal used to connect an external resistor ( $R_{\text{ext}}$ ) for setting up output current for all output channels   |
| VDD   | 5V supply voltage terminal   |

Pin Configuration



MBI1816

Maximum Ratings

| Characteristic                                      |         | Symbol        | Rating               | Unit          |
|---|---------|---------------|----------------------|---------------|
| Supply Voltage                                      |         | $V_{DD}$      | 0~7.0                | V             |
| Input Voltage                                       |         | $V_{IN}$      | -0.4~ $V_{DD} + 0.4$ | V             |
| Output Current                                      |         | $I_{OUT}$     | 90                   | mA            |
| Output Voltage                                      |         | $V_{DS}$      | -0.5~+17.0           | V             |
| GND Terminal Current                                |         | $I_{GND}$     | 1440                 | mA            |
| Power Dissipation*<br>(On PCB, $T_a=25^{\circ}C$ )  | TSSOP20 | $P_D$         | 0.85                 | W             |
| Thermal Resistance*<br>(Under good thermal system)  |         | $R_{th(j-a)}$ | 31.99**              | $^{\circ}C/W$ |
| Thermal Resistance*<br>(On PCB, $T_a=25^{\circ}C$ ) |         |               | 117                  |               |
| Operating Temperature                               |         | $T_{opr}$     | -40~+85              | $^{\circ}C$   |
| Storage Temperature                                 |         | $T_{stg}$     | -55~+150             | $^{\circ}C$   |

\*Users must notice that the power dissipation (almost equaling to  $I_{OUT} \times V_{DS}$ ) should be within the Safe Operation Area shown in Figure 6.

\*\* Good thermal system design can ensure that the heat management of the total system (storage temperature and operating temperature) maintains MBI1804 within the defined temperature limits ( $R_{th(j-a)} = 31.99^{\circ}C/W$ ).

Electrical Characteristics

| Characteristic                               |           | Symbol          | Condition   | Min.               | Typ.      | Max.               | Unit       |
|--|-----------|-----------------|---|--------------------|-----------|--------------------|------------|
| Supply Voltage                               |           | $V_{DD}$        | -   | 4.5                | 5.0       | 5.5                | V          |
| Output Voltage                               |           | $V_{DS}$        | $\overline{OUT0} \sim \overline{OUT15}$                                     | -                  | -         | 17.0               | V          |
| Output Current                               |           | $I_{OUT}$       | DC Test Circuit   | 5                  | -         | 90                 | mA         |
| Input Voltage                                | “H” level | $V_{IH}$        | $T_a = -40 \sim 85^\circ C$   | $0.7 \cdot V_{DD}$ | -         | $V_{DD}$           | V          |
|  | “L” level | $V_{IL}$        | $T_a = -40 \sim 85^\circ C$   | GND                | -         | $0.3 \cdot V_{DD}$ | V          |
| Output Leakage Current                       |           | $I_{OH}$        | $V_{OH} = 17.0V$  | -                  | -         | 0.5                | $\mu A$    |
| Output Current 1                             |           | $I_{OUT1}$      | $V_{DS} = 0.6V$<br>$R_{ext} = 720 \Omega$                                   | -                  | 25        | -                  | mA         |
| Current Skew                                 |           | $dI_{OUT1}$     | $I_{OL} = 25mA$<br>$V_{DS} = 0.6V$<br>$R_{ext} = 720 \Omega$                | -                  | $\pm 1$   | $\pm 3$            | %          |
| Output Current 2                             |           | $I_{OUT2}$      | $V_{DS} = 0.8V$<br>$R_{ext} = 360 \Omega$                                   | -                  | 50        | -                  | mA         |
| Current Skew                                 |           | $dI_{OUT2}$     | $I_{OL} = 50mA$<br>$V_{DS} = 0.8V$<br>$R_{ext} = 360 \Omega$                | -                  | $\pm 1$   | $\pm 3$            | %          |
| Output Current vs. Output Voltage Regulation |           | $\% / dV_{DS}$  | $V_{DS}$ within 1.0V and 3.0V   | -                  | $\pm 0.1$ | -                  | $\% / V$   |
| Output Current vs. Supply Voltage Regulation |           | $\% / dV_{DD}$  | $V_{DD}$ within 4.5V and 5.5V   | -                  | $\pm 1$   | -                  | $\% / V$   |
| Pull-up Resistor                             |           | $R_{IN(up)}$    | $\overline{OE}$   | 250                | 500       | 800                | K $\Omega$ |
| Supply Current                               | “OFF”     | $I_{DD(off) 1}$ | $R_{ext} = \text{Open}, \overline{OUT0} \sim \overline{OUT15} = \text{Off}$ | -                  | 6         | 8                  | mA         |
|  |           | $I_{DD(off) 2}$ | $R_{ext} = 720 \Omega, \overline{OUT0} \sim \overline{OUT15} = \text{Off}$  | -                  | 6         | 8                  |            |
|  |           | $I_{DD(off) 3}$ | $R_{ext} = 360 \Omega, \overline{OUT0} \sim \overline{OUT15} = \text{Off}$  | -                  | 6         | 8                  |            |
|  | “ON”      | $I_{DD(on) 1}$  | $R_{ext} = 720 \Omega, \overline{OUT0} \sim \overline{OUT15} = \text{On}$   | -                  | 9         | 11                 |            |
|  |           | $I_{DD(on) 2}$  | $R_{ext} = 360 \Omega, \overline{OUT0} \sim \overline{OUT15} = \text{On}$   | -                  | 10        | 12                 |            |

Test Circuit for Electrical Characteristics

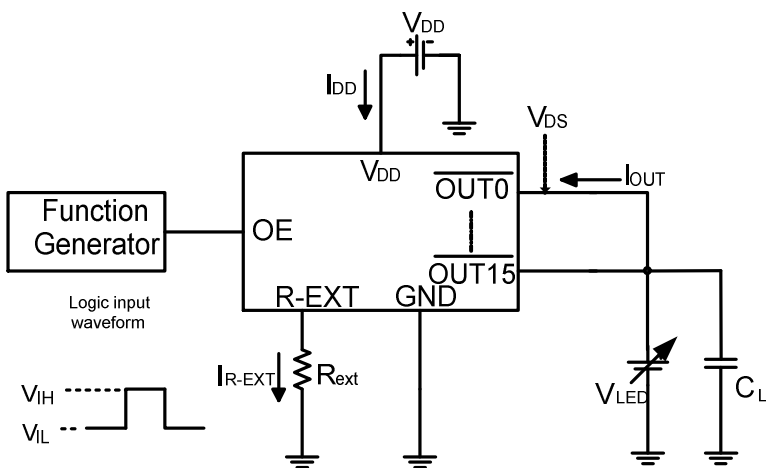


Figure 2

### Switching Characteristics

| Characteristic                      |                                   | Symbol      | Condition  | Min. | Typ. | Max. | Unit          |
|-------------------------------------|-----------------------------------|-------------|--|------|------|------|---------------|
| Propagation Delay Time ("L" to "H") | $\overline{OE} - \overline{OUTn}$ | $t_{pLH}$   | $V_{DD} = 5.0\text{ V}$<br>$V_{DS} = 0.8\text{ V} - 1.0\text{ V}$<br>$V_{IH} = V_{DD}$<br>$V_{IL} = \text{GND}$<br>$R_{ext} = 300\ \Omega$<br>$V_L = 4.0\text{ V}$<br>$R_L = 52\ \Omega$<br>$C_L = 10\text{ pF}$ | 0.08 | -    | 8.2  | $\mu\text{s}$ |
| Propagation Delay Time ("H" to "L") | $\overline{OE} - \overline{OUTn}$ | $t_{pHL}$   |  | 0.08 | -    | 8.2  | $\mu\text{s}$ |
| Pulse Width                         | $\overline{OE}$                   | $t_{w(OE)}$ |  | 10   | -    | -    | $\mu\text{s}$ |
| Output Rise Time of Vout (turn off) |                                   | $t_{or}$    |  | -    | 190  | 250  | ns            |
| Output Fall Time of Vout (turn on)  |                                   | $t_{of}$    |  | -    | 50   | 150  | ns            |

### Test Circuit for Switching Characteristics

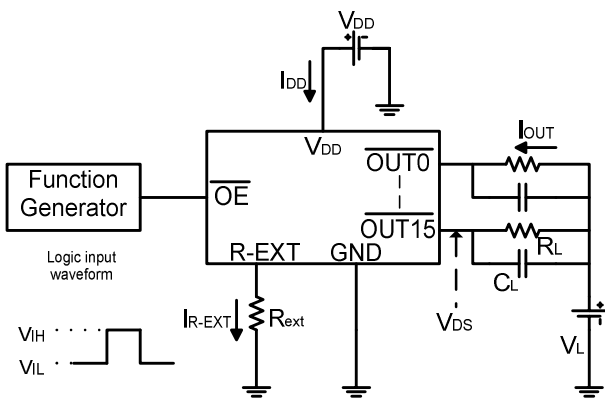


Figure 3

### Application Information

#### Constant Current

In LED lighting applications, MBI1816 provides nearly no variations in current from channel to channel and from IC to IC. This can be achieved by:

- 1) The maximum current variation between channels is less than  $\pm 3\%$ , and that between ICs is less than  $\pm 6\%$ .
- 2) In addition, the current characteristic of output stage is flat and users can refer to the figure as shown below. The output current can be kept constant regardless of the variations of LED forward voltages ( $V_F$ ). This performs as a perfection of load regulation.

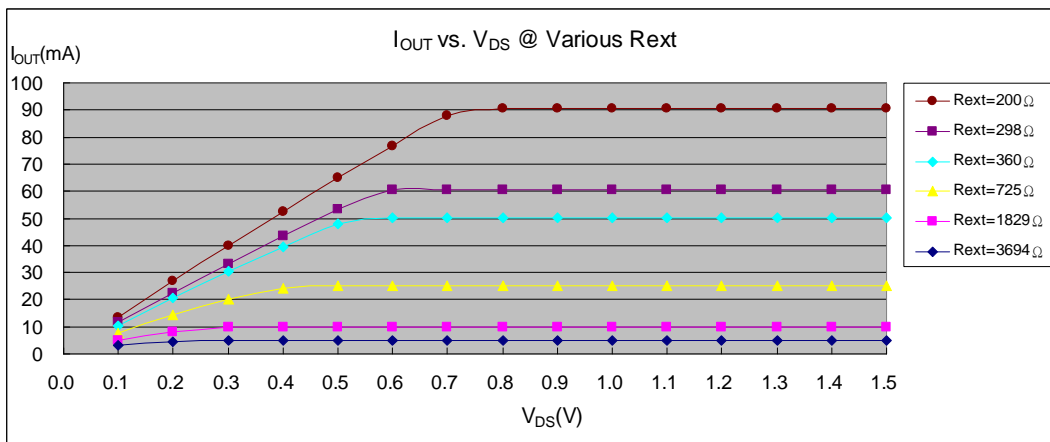


Figure 4

### Adjusting Output Current

The output current of each channel ( $I_{OUT}$ ) is set by an external resistor,  $R_{ext}$ . The relationship between  $I_{out}$  and  $R_{ext}$  is shown in the following figure.

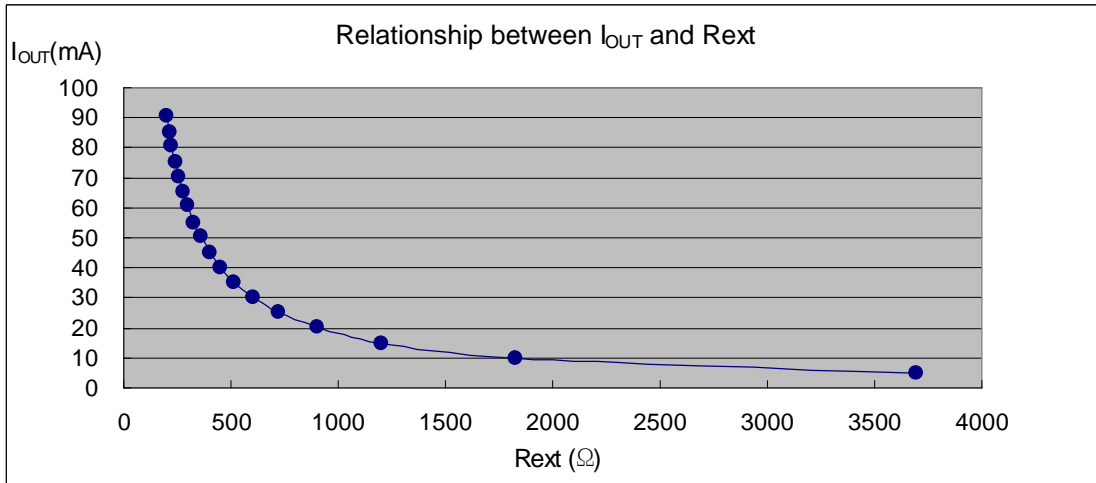


Figure 5

Also, the output current can be calculated from the equation:

$$V_{R-EXT} = 1.25V ; I_{OUT} = (V_{R-EXT} / R_{ext}) \times 14.4 = (1.25V / R_{ext}) \times 14.4$$

where  $R_{ext}$  is the resistance of the external resistor connected to R-EXT terminal and  $V_{R-EXT}$  is the voltage of R-EXT terminal. The magnitude of current (as a function of  $R_{ext}$ ) is around 50mA at 360 $\Omega$  and 25mA at 720 $\Omega$ .

### Package Power Dissipation ( $P_D$ )

The maximum power dissipation,  $P_D(max) = (T_j - T_a) / R_{th(j-a)}$ , decreases as the ambient temperature increases.

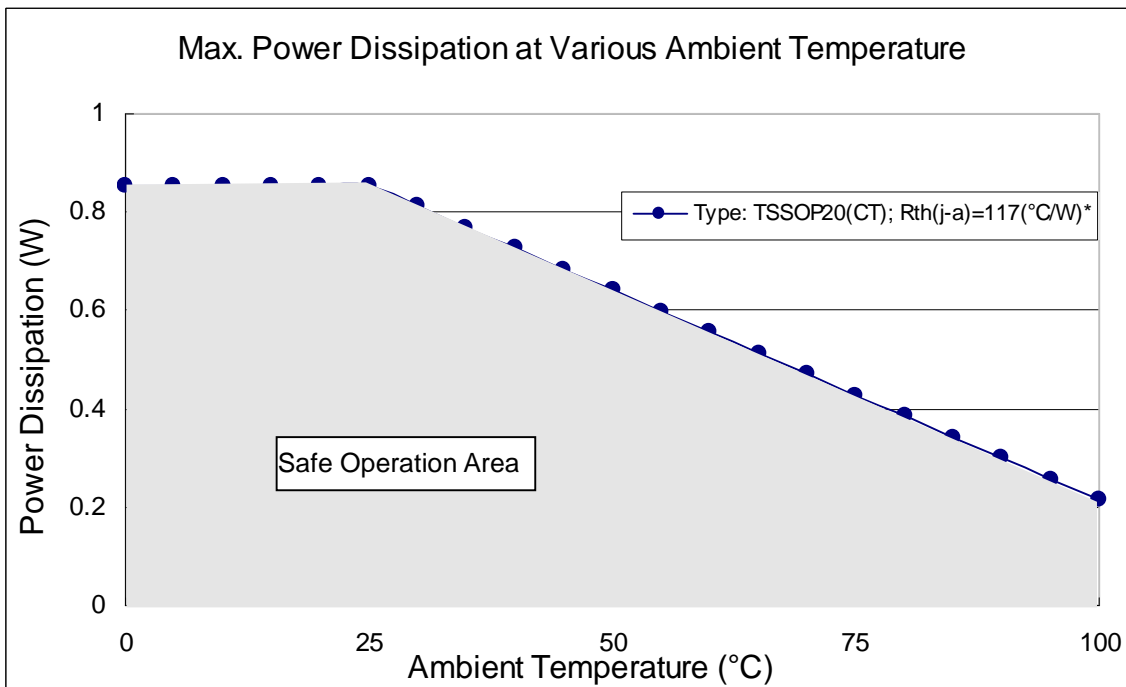


Figure 6

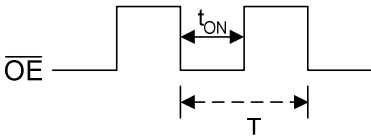
The maximum allowable package power dissipation is determined as  $P_D(max) = (T_j - T_a) / R_{th(j-a)}$ . When 16 output channels are turned on simultaneously, the actual package power dissipation is  $P_D(act) = (I_{DD} \times V_{DD}) + (I_{OUT} \times Duty \times V_{DS} \times 16)$ . Therefore, to keep  $P_D(act) \leq P_D(max)$ , the allowable maximum output current as a function of duty cycle is:

$$I_{OUT} = \{ [(T_j - T_a) / R_{th(j-a)}] - (I_{DD} \times V_{DD}) \} / V_{DS} / Duty / 16,$$

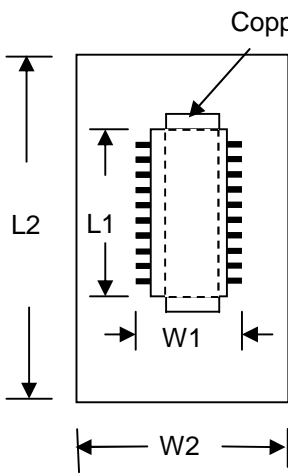
where  $T_j = 125^\circ C$ ;

Duty =  $t_{ON} / T$ ;

$t_{ON}$ : the time of LEDs turning on; T:  $\overline{OE}$  signal period



\*Note 1: The thermal resistor  $R_{th(j-a)} = 117^\circ C/W$ ; it is based on the following structure.



The PCB area  $L2 \times W2$  is 4 times to the IC's area  $L1 \times W1$ .

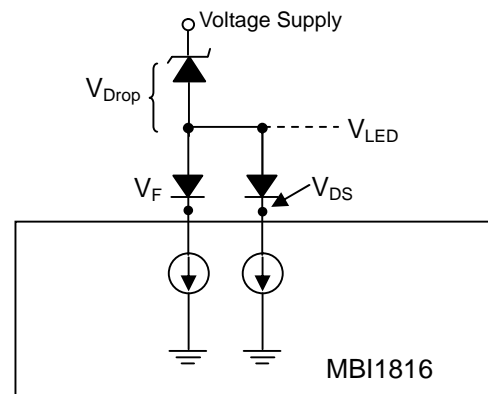
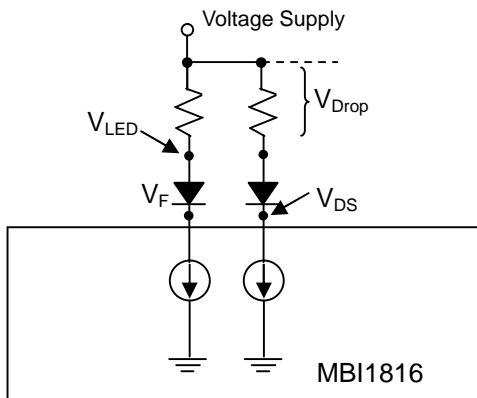
The thickness of the PCB is 1.6 mm, copper foil 1 OZ. The thermal pad on the IC's bottom has to be mounted on the copper foil.

**Load Supply Voltage ( $V_{LED}$ )**

MB1816 are designed to operate with  $V_{DS}$  ranging from 0.4V to 1.0V considering the package power dissipating limits.  $V_{DS}$  may be higher enough to make  $P_{D(Act)} > P_{D(max)}$  when  $V_{LED} = 5V$  and  $V_{DS} = V_{LED} - V_F$ , in which  $V_{LED}$  is the load supply voltage. In this case, it is recommended to use the lowest possible supply voltage or to set an external voltage reducer,  $V_{DROP}$ .

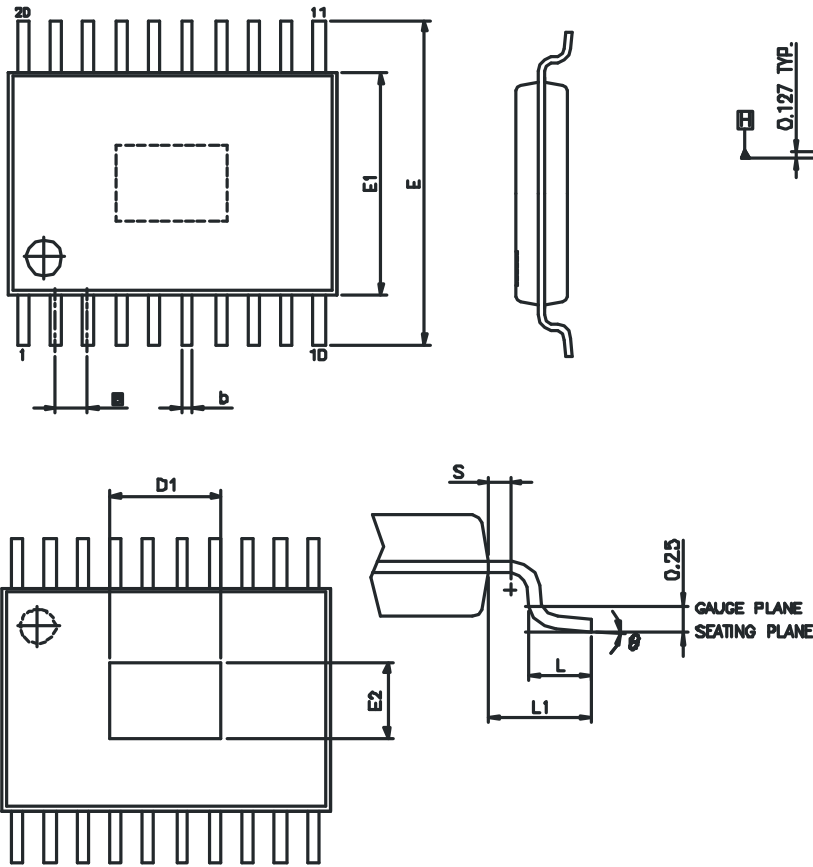
A voltage reducer lets  $V_{DS} = (V_{LED} - V_F) - V_{DROP}$ .

Resistors or Zener diode can be used in the applications as shown in the following figures.





Outline Drawing



VARIATIONS (ALL DIMENSIONS SHOWN IN MM)

| SYMBOLS  | NIN.     | NOM. | MAX. |
|----------|----------|------|------|
| A        | -        | -    | 1.20 |
| A1       | 0.00     | -    | 0.15 |
| A2       | 0.80     | 1.00 | 1.05 |
| b        | 0.19     | -    | 0.30 |
| D        | 6.40     | 6.50 | 6.60 |
| D1       | 2.20     | -    | -    |
| E2       | 1.50     | -    | -    |
| E1       | 4.30     | 4.40 | 4.50 |
| E        | 6.40 BSC |      |      |
| $e$      | 0.65 BSC |      |      |
| L1       | 1.00 REF |      |      |
| L        | 0.45     | 0.60 | 0.75 |
| S        | 0.20     | -    | -    |
| $\theta$ | 0°       | -    | 8°   |