



13-BIT TO 26-BIT REGISTERED *IDT74SSTVN16859C* BUFFER WITH SSTL I/O

FEATURES:

- 1:2 registered output buffer
- 2.3V to 2.7V operation for PC1600, PC2100, and PC2700
- 2.5V to 2.7V operation for PC3200
- SSTL_2 Class I style data inputs/outputs
- Differential CLK input
- $\overline{\text{RESET}}$ control compatible with LVCMOS levels
- Latch-up performance exceeds 100mA
- ESD >2000V per MIL-STD-883, Method 3015; >200V using machine model (C = 200pF, R = 0)
- Available in 56 pin VFQFPN and 64 pin TSSOP packages

APPLICATIONS:

- Ideally suited for stacked DIMM DDR registered applications
- Along with CSPT857C/D, Zero Delay PLL Clock buffer, provides complete solution for DDR1 DIMMs

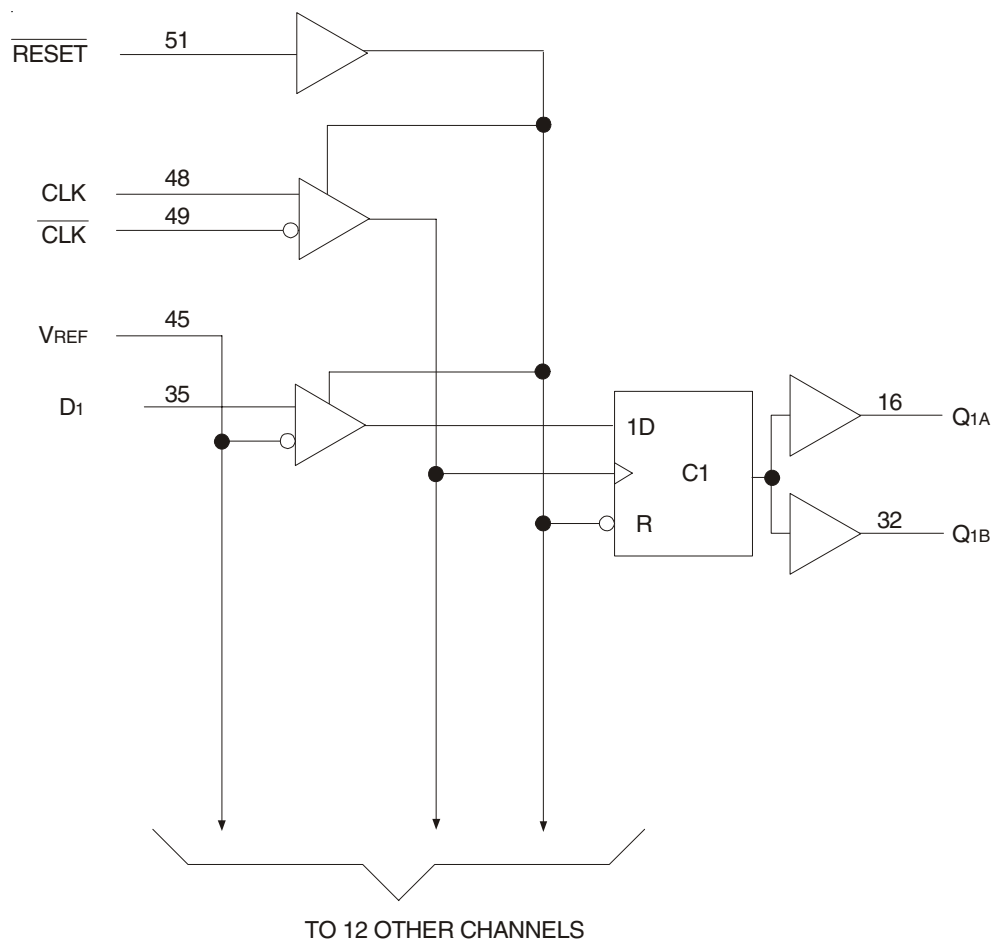
DESCRIPTION:

The SSTVN16859C is a 13-bit to 26-bit registered buffer designed for 2.3V-2.7V V_{DD} for PC1600 - PC2700 and 2.5V-2.7V V_{DD} for PC3200, and supports low standby operation. All data inputs and outputs are SSTL_2 level compatible with JEDEC standard for SSTL_2.

$\overline{\text{RESET}}$ is an LVCMOS input since it must operate predictably during the power-up phase. $\overline{\text{RESET}}$, which can be operated independent of CLK and $\overline{\text{CLK}}$, must be held in the low state during power-up in order to ensure predictable outputs (low state) before a stable clock has been applied.

$\overline{\text{RESET}}$, when in the low state, will disable all input receivers, reset all registers, and force all outputs to a low state, before a stable clock has been applied. With inputs held low and a stable clock applied, outputs will remain low during the Low-to-High transition of $\overline{\text{RESET}}$.

FUNCTIONAL BLOCK DIAGRAM

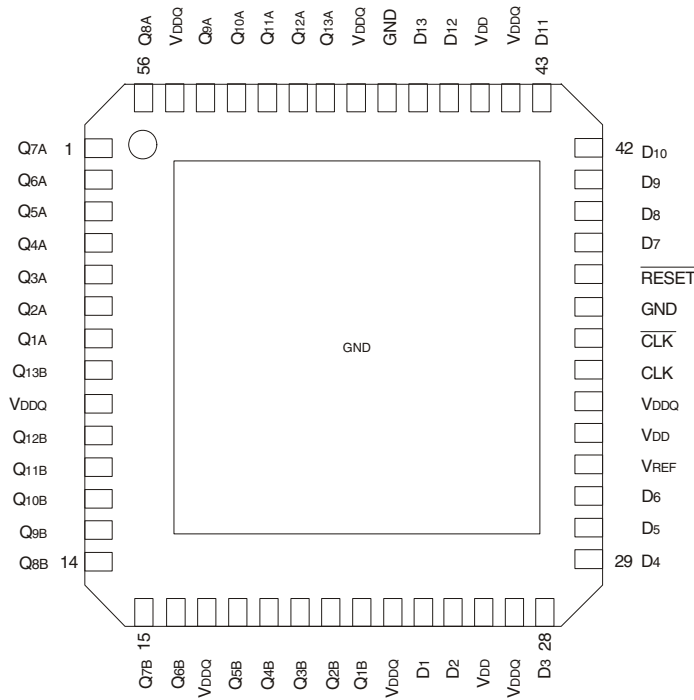


The IDT logo is a registered trademark of Integrated Device Technology, Inc.

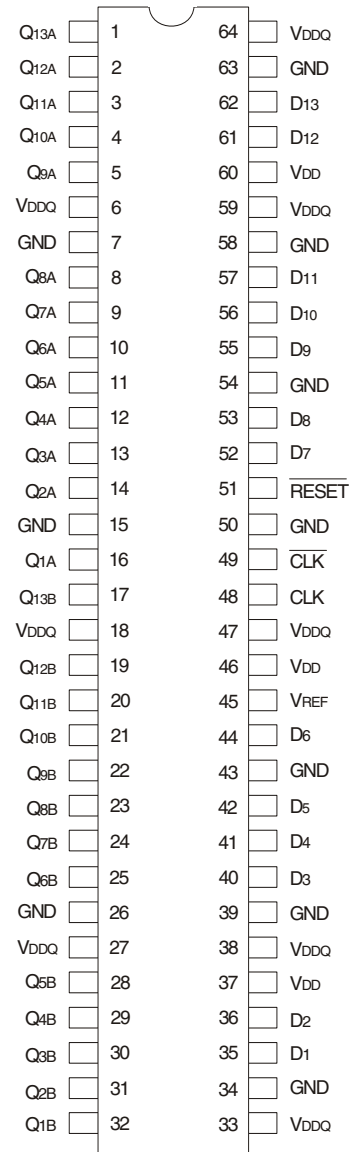
COMMERCIAL TEMPERATURE RANGE

OCTOBER 2004

PIN CONFIGURATIONS



VFQFPN
TOP VIEW



TSSOP
TOP VIEW

ABSOLUTE MAXIMUM RATINGS (1)

| Symbol | Description | Max. | Unit |
|-------------------|--|--------------------|------|
| VDD or VDDQ | Supply Voltage Range | -0.5 to 3.6 | V |
| Vi ⁽²⁾ | Input Voltage Range | -0.5 to VDD + 0.5 | V |
| Vo ⁽³⁾ | Output Voltage Range | -0.5 to VDDQ + 0.5 | V |
| I _{IK} | Input Clamp Current, Vi < 0 | -50 | mA |
| I _{OK} | Output Clamp Current, Vo < 0 or Vo > VDDQ | ±50 | mA |
| I _O | Continuous Output Current, Vo = 0 to VDDQ | ±50 | mA |
| VDD | Continuous Current through each VDD, VDDQ or GND | ±100 | mA |
| TSTG | Storage Temperature Range | -65 to +150 | °C |

NOTES:

- Stresses greater than those listed under ABSOLUTE MAXIMUM RATINGS may cause permanent damage to the device. This is a stress rating only and functional operation of the device at these or any other conditions above those indicated in the operational sections of this specification is not implied. Exposure to absolute maximum rating conditions for extended periods may affect reliability.
- The input and output negative voltage ratings may be exceeded if the ratings of the I/P and O/P clamp current are observed.
- The output current will flow if the following conditions are observed:
 - Output in HIGH state
 - Vo = VDDQ

FUNCTION TABLE (1)

| Input | | | | Q Outputs |
|---------------------------|--------|-------------------------|---|-------------------------------|
| $\overline{\text{RESET}}$ | CLK | $\overline{\text{CLK}}$ | D | |
| H | ↑ | ↓ | L | L |
| H | ↑ | ↓ | H | H |
| H | L or H | L or H | X | Q ₀ ⁽²⁾ |
| L | X | X | X | L |

NOTES:

- H = HIGH Voltage Level
L = LOW Voltage Level
X = Don't Care
↑ = LOW to HIGH
↓ = HIGH to LOW
- Q₀ = Output level before the indicated steady-state conditions were established.

PIN DESCRIPTION

| Pin Names | Description |
|---------------------------|---|
| Q1 - Q13 | Data Output |
| GND | Ground |
| V _{DDQ} | Output-stage drain power voltage |
| V _{DD} | Logic power voltage |
| $\overline{\text{RESET}}$ | Asynchronous reset input - resets registers and disables data and clock differential input receivers |
| V _{REF} | Input reference voltage |
| CLK | Positive master clock input |
| $\overline{\text{CLK}}$ | Negative master clock input |
| D1 - D13 | Data Input - clocked in on the crossing of the rising edge of CLK and the falling edge of $\overline{\text{CLK}}$ |
| Center PAD | Ground (MLF package only) |

DC ELECTRICAL CHARACTERISTICS OVER OPERATING RANGE FOR PC1600 - PC2700

Following Conditions Apply Unless Otherwise Specified:

Operating Condition: T_A = 0°C to +70°C, V_{DD} = 2.5V ±0.2V, V_{DDQ} = 2.5V ±0.2V

| Symbol | Parameter | Test Conditions | Min. | Typ. | Max. | Unit |
|------------------|--|--|-----------------------|------|------|-------------------------|
| V _{IK} | Control Inputs | V _{DD} = 2.3V, I _I = -18mA | — | — | -1.2 | V |
| V _{OH} | | V _{DD} = 2.3V to 2.7V, I _{OH} = -100μA | V _{DD} - 0.2 | — | — | V |
| | | V _{DD} = 2.3V, I _{OH} = -8mA | 1.95 | — | — | |
| V _{OL} | | V _{DD} = 2.3V to 2.7V, I _{OL} = 100μA | — | — | 0.2 | V |
| | | V _{DD} = 2.3V, I _{OL} = 8mA | — | — | 0.35 | |
| I _I | All Inputs | V _{DD} = 2.7V, V _I = V _{DD} or GND | — | — | ±5 | μA |
| I _{DD} | Static Standby | I _O = 0, V _{DD} = 2.7V, $\overline{\text{RESET}}$ = GND | — | — | 0.01 | mA |
| | Static Operating | I _O = 0, V _{DD} = 2.7V, $\overline{\text{RESET}}$ = V _{DD} , V _I = V _{IH} (AC) or V _{IL} (AC) | — | — | 20 | |
| I _{DDQ} | Dynamic Operating (Clock Only) | I _O = 0, V _{DD} = 2.7V, $\overline{\text{RESET}}$ = V _{DD} , V _I = V _{IH} (AC) or V _{IL} (AC), CLK and $\overline{\text{CLK}}$ Switching 50% Duty Cycle. | — | 6 | — | μA/Clock MHz |
| | Dynamic Operating (Per Each Data Input) ⁽¹⁾ | I _O = 0, V _{DD} = 2.7V, $\overline{\text{RESET}}$ = V _{DD} , V _I = V _{IH} (AC) or V _{IL} (AC), CLK and $\overline{\text{CLK}}$ Switching 50% Duty Cycle. One Data Input Switching at Half Clock Frequency, 50% Duty Cycle. | — | 43 | — | μA/Clock MHz/Data Input |
| C _I | Data Inputs | V _{DD} = 2.5V, V _I = V _{REF} ± 310mV | 2.5 | — | 3.5 | pF |
| | CLK and $\overline{\text{CLK}}$ | V _{ICR} = 1.25V, V _I (PP) = 360mV | 2.5 | — | 3.5 | |
| | $\overline{\text{RESET}}$ | V _I = V _{DD} or GND | 2 | — | 3 | |

NOTE:

- Power dissipation levels will allow operation at DDR333 speeds without excessive die temperature.

DC ELECTRICAL CHARACTERISTICS OVER OPERATING RANGE FOR PC3200

Following Conditions Apply Unless Otherwise Specified:

Operating Condition: $T_A = 0^\circ\text{C}$ to $+70^\circ\text{C}$, $V_{DD} = 2.6\text{V} \pm 0.1\text{V}$, $V_{DDQ} = 2.6\text{V} \pm 0.1\text{V}$

| Symbol | Parameter | Test Conditions | Min. | Typ. | Max. | Unit |
|-----------|--|--|----------------|------|---------|--------------------------------|
| V_{IK} | Control Inputs | $V_{DD} = 2.5\text{V}$, $I_i = -18\text{mA}$ | — | — | -1.2 | V |
| V_{OH} | | $V_{DD} = 2.5\text{V}$ to 2.7V , $I_{OH} = -100\mu\text{A}$ | $V_{DD} - 0.2$ | — | — | V |
| | | $V_{DD} = 2.5\text{V}$, $I_{OH} = -8\text{mA}$ | 1.95 | — | — | |
| V_{OL} | | $V_{DD} = 2.5\text{V}$ to 2.7V , $I_{OL} = 100\mu\text{A}$ | — | — | 0.2 | V |
| | | $V_{DD} = 2.5\text{V}$, $I_{OL} = 8\text{mA}$ | — | — | 0.35 | |
| I_i | All Inputs | $V_{DD} = 2.7\text{V}$, $V_i = V_{DD}$ or GND | — | — | ± 5 | μA |
| I_{DD} | Static Standby | $I_o = 0$, $V_{DD} = 2.7\text{V}$, $\overline{\text{RESET}} = \text{GND}$ | — | — | 0.01 | mA |
| | Static Operating | $I_o = 0$, $V_{DD} = 2.7\text{V}$, $\overline{\text{RESET}} = V_{DD}$, $V_i = V_{IH}(\text{AC})$ or $V_{IL}(\text{AC})$ | — | — | 20 | |
| I_{DDQ} | Dynamic Operating (Clock Only) | $I_o = 0$, $V_{DD} = 2.7\text{V}$, $\overline{\text{RESET}} = V_{DD}$, $V_i = V_{IH}(\text{AC})$ or $V_{IL}(\text{AC})$, CLK and $\overline{\text{CLK}}$ Switching 50% Duty Cycle. | — | 6 | — | $\mu\text{A}/\text{Clock MHz}$ |
| | Dynamic Operating (Per Each Data Input) ⁽¹⁾ | $I_o = 0$, $V_{DD} = 2.7\text{V}$, $\overline{\text{RESET}} = V_{DD}$, $V_i = V_{IH}(\text{AC})$ or $V_{IL}(\text{AC})$, CLK and $\overline{\text{CLK}}$ Switching 50% Duty Cycle. One Data Input Switching at Half Clock Frequency, 50% Duty Cycle. | — | 43 | — | |
| C_i | Data Inputs | $V_{DD} = 2.6\text{V}$, $V_i = V_{REF} \pm 310\text{mV}$ | 2.5 | — | 3.5 | pF |
| | CLK and $\overline{\text{CLK}}$ | $V_{ICR} = 1.3\text{V}$, $V_i(\text{PP}) = 360\text{mV}$ | 2.5 | — | 3.5 | |
| | $\overline{\text{RESET}}$ | $V_i = V_{DD}$ or GND | 2 | — | 3 | |

NOTE:

1. Power dissipation levels will allow operation at DDR400 speeds without excessive die temperature.

OPERATING CHARACTERISTICS, $T_A = 25^\circ\text{C}$ (1)

| Symbol | Parameter | | Min. | Typ. ⁽¹⁾ | Max. | Unit |
|------------------|---|------------------------------|--------------------------|---------------------|--------------------------|------------------|
| V_{DD} | Supply Voltage | | V_{DDQ} | — | 2.7 | V |
| V_{DDQ} | Output Supply Voltage | PC1600 - PC12700 | 2.3 | 2.5 | 2.7 | V |
| | | PC3200 | 2.5 | 2.6 | 2.7 | |
| V_{REF} | Reference Voltage ($V_{REF} = V_{DDQ}/2$) | PC1600 - PC2700 | 1.15 | 1.25 | 1.35 | V |
| | | PC3200 | 1.25 | 1.3 | 1.35 | |
| V_{TT} | Termination Voltage | | $V_{REF} - 40\text{mV}$ | V_{REF} | $V_{REF} + 40\text{mV}$ | V |
| V_i | Input Voltage | | 0 | — | V_{DD} | V |
| V_{IH} | AC High-Level Input Voltage | Data Inputs | $V_{REF} + 310\text{mV}$ | — | — | V |
| V_{IL} | AC Low-Level Input Voltage | Data Inputs | — | — | $V_{REF} - 310\text{mV}$ | V |
| V_{IH} | DC High-Level Input Voltage | Data Inputs | $V_{REF} + 150\text{mV}$ | — | — | V |
| V_{IL} | DC Low-Level Input Voltage | Data Inputs | — | — | $V_{REF} - 150\text{mV}$ | V |
| V_{IH} | High-Level Input Voltage | $\overline{\text{RESET}}$ | 1.7 | — | — | V |
| V_{IL} | Low-Level Input Voltage | $\overline{\text{RESET}}$ | — | — | 0.7 | V |
| V_{ICR} | Common-Mode Input Range | CLK, $\overline{\text{CLK}}$ | 0.97 | — | 1.53 | V |
| $V_i(\text{PP})$ | Peak-to-Peak Input Voltage | CLK, $\overline{\text{CLK}}$ | 360 | — | — | mV |
| I_{OH} | High-Level Output Current | | — | — | -16 | mA |
| I_{OL} | Low-Level Output Current | | — | — | 16 | mA |
| T_A | Operating Free-Air Temperature | | 0 | — | +70 | $^\circ\text{C}$ |

NOTE:

1. The $\overline{\text{RESET}}$ input of the device must be held at V_{DD} or GND to ensure proper device operation.

TIMING REQUIREMENTS OVER RECOMMENDED OPERATING FREE-AIR TEMPERATURE RANGE

| Symbol | Parameter | PC1600-PC2700 | | PC3200 | | Unit | |
|--------------------|--|---|------|--------|------|------|----|
| | | Min. | Max. | Min. | Max. | | |
| CLOCK | Clock Frequency | — | 200 | — | 220 | MHz | |
| t _w | Pulse Duration, CLK, $\overline{\text{CLK}}$ HIGH or LOW | 2.5 | — | 2.5 | — | ns | |
| t _{ACT} | Differential Inputs Active Time ⁽¹⁾ | — | 22 | — | 22 | ns | |
| t _{INACT} | Differential Inputs Inactive Time ⁽²⁾ | — | 22 | — | 22 | ns | |
| t _{SU} | Setup Time, Fast Slew Rate ^(3,5) | Data Before CLK \uparrow , CLK \downarrow | 0.65 | — | 0.65 | — | ns |
| | Setup Time, Slow Slew Rate ^(4,5) | | 0.75 | — | 0.75 | — | ns |
| t _H | Hold Time, Fast Slew Rate ^(3,5) | Data Before CLK \uparrow , CLK \downarrow | 0.75 | — | 0.65 | — | ns |
| | Hold Time, Slow Slew Rate ^(2,5) | | 0.9 | — | 0.8 | — | ns |

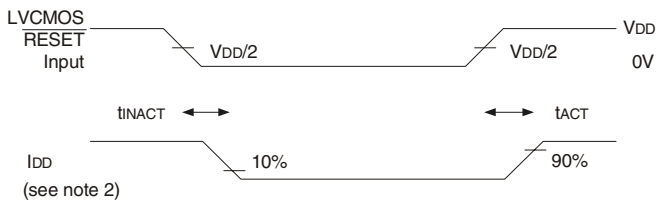
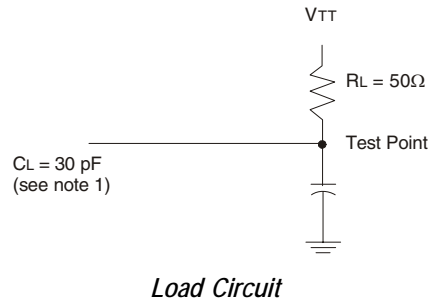
NOTES:

1. Data inputs must be low a minimum time of t_{ACT} max., after $\overline{\text{RESET}}$ is taken HIGH.
2. Data and clock inputs must be held at valid levels (not floating) a minimum time of t_{INACT} max., after $\overline{\text{RESET}}$ is taken LOW.
3. For data signal input slew rate is $\geq 1\text{V/ns}$.
4. For data signal input slew rate is $\geq 0.5\text{V/ns}$ and $< 1\text{V/ns}$.
5. CLK, $\overline{\text{CLK}}$ signal input slew rates are $\geq 1\text{V/ns}$.

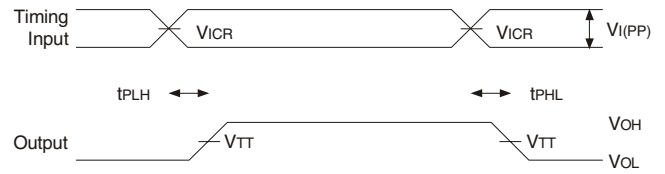
SWITCHING CHARACTERISTICS OVER RECOMMENDED FREE-AIR OPERATING RANGE (UNLESS OTHERWISE NOTED)

| Symbol | Parameter | Package | PC1600-PC2700 | | PC3200 | | Unit |
|-------------------|---|---------------|---------------|------|--------|------|------|
| | | | Min. | Max. | Min. | Max. | |
| f _{MAX} | | TSSOP, VFQFPN | 200 | — | 220 | — | MHz |
| t _{PDM} | CLK and $\overline{\text{CLK}}$ to Q | TSSOP | 1.1 | 2.4 | 1.1 | 2.2 | ns |
| | | VFQFPN | 1 | 2.2 | 1 | 1.8 | |
| t _{PDMS} | CLK and $\overline{\text{CLK}}$ to Q (simultaneous switching) | TSSOP | — | 2.7 | — | 2.5 | ns |
| | | VFQFPN | — | 2.5 | — | 2.1 | |
| t _{PHL} | $\overline{\text{RESET}}$ to Q | TSSOP, VFQFPN | — | 5 | — | 5 | ns |

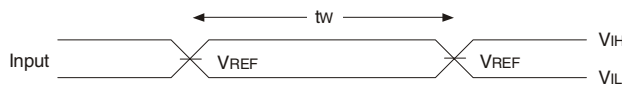
TEST CIRCUITS AND WAVEFORMS
FOR PC1600 - PC2700, $V_{DD} = 2.5V \pm 0.2V$
FOR PC3200, $V_{DD} = 2.6V \pm 0.1V$



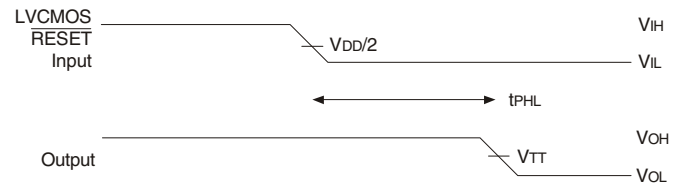
*Voltage and Current Waveforms
Inputs Active and Inactive Times*



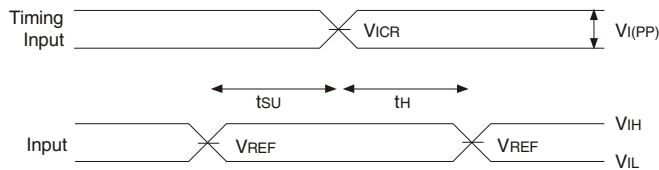
Voltage Waveforms - Propagation Delay Times



Voltage Waveforms - Pulse Duration



Voltage Waveforms - Propagation Delay Times

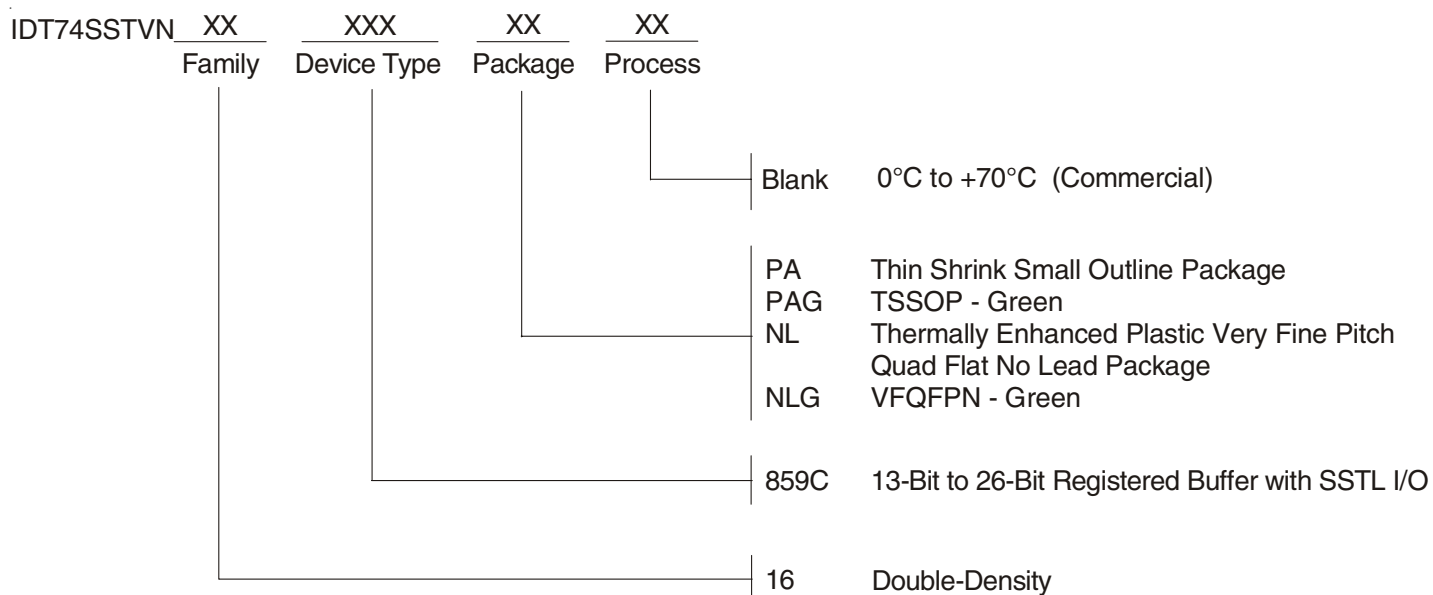


Voltage Waveforms - Setup and Hold Times

NOTES:

1. C_L includes probe and jig capacitance.
2. I_{DD} tested with clock and data inputs held at V_{DD} or GND, and $I_o = 0mA$.
3. All input pulses are supplied by generators having the following characteristics: PRR $\leq 10MHz$, $Z_o = 50\Omega$, input slew rate = $1 V/ns \pm 20\%$ (unless otherwise specified).
4. The outputs are measured one at a time with one transition per measurement.
5. $V_{TT} = V_{REF} = V_{DD}/2$
6. $V_{IH} = V_{REF} + 310mV$ (AC voltage levels) for differential inputs. $V_{IH} = V_{DD}$ for LVC MOS input.
7. $V_{IL} = V_{REF} - 310mV$ (AC voltage levels) for differential inputs. $V_{IL} = GND$ for LVC MOS input.
8. t_{PDM} is t_{PD} with one output switching. t_{PDMSS} is t_{PD} with all outputs switching.

ORDERING INFORMATION



CORPORATE HEADQUARTERS
 San Jose, CA 95138

for SALES:
 fax: 408-284-2775
www.idt.com