



- High Stability
- Near Temperature Independence
- Lowest Tolerances
- Low Capacitance and Inductance
- Customized Resistance Values

SPECIFICATIONS

ELECTRICAL

	USR 4-3425/3825 with additional heatsink 3825H	UNR 4-3425/3825 note <sup>1)</sup>
<b>Resistance Range</b> :	0R05 ... 500R other resistance values upon request / power rating depending on resistor value	0R05 ... 500R
<b>Power Rating</b> :	3 W (70°C) without heatsink 5 W (20°C) for 3825H 30 W* * with heatsink	50 W*
<b>Thermal Resistance Rthj-c</b> :	3.5 K/W	2.1 K/W
<b>Tolerances</b> :		
<b>from 0R05</b> :	0.1%, 0.25%, 0.5%, 1%	
<b>from 10R</b> :	0.05%, 0.1%, 0.25%, 0.5%, 1%	
<b>from 50R</b> :	0.01%, 0.02%, 0.05%, 0.1%, 0.25%, 0.5%, 1%	
<b>Stability</b> :	0.01%	
<b>Temperature Coefficient</b> :	max. ±5 ppm/K (-55...155)°C typ. ±3 ppm/K (-55...125)°C upon request ±1 ppm/K (0...60)°C	
<b>Voltage Proof</b> :	750 VDC	
<b>Max. Current</b> :	15 A	
<b>Thermal EMF</b> :	< 1 µV/K	

ENVIRONMENTAL

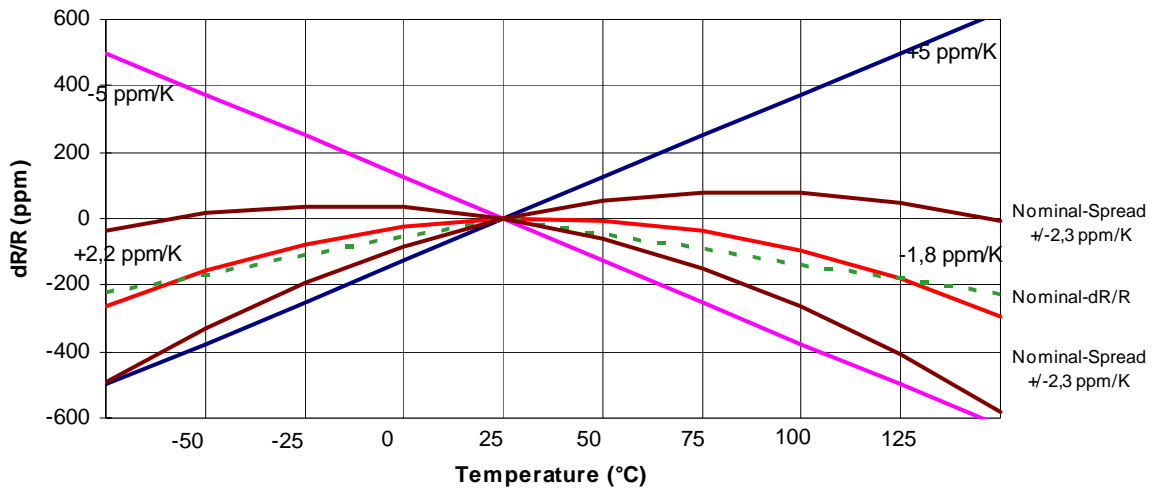
**Operating Temperature Range** : -55°C...155°C

MECHANICAL

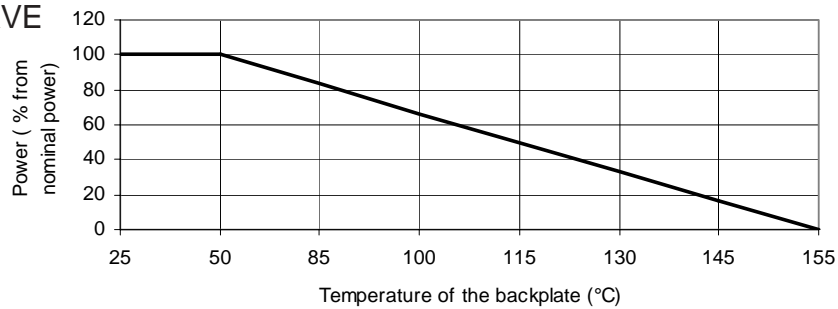
<b>Resistor Material</b> :	NiCr-Foil	
<b>Substrate</b> :	Al <sub>2</sub> O <sub>3</sub>	AlN
<b>Housing</b> :	Epoxy + heatsink aluminium	
<b>Connector Material</b> :	Cu, tinned, 4-pin	
<b>Max. torque backplate</b> :	1.0 Nm	

note<sup>1)</sup>: Specially designed for applications with fast changing electrical load.

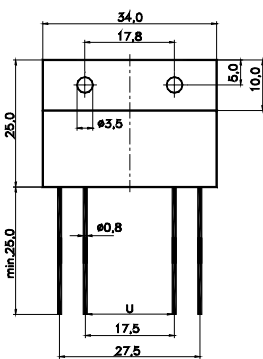
TEMPERATURE COEFFICIENT



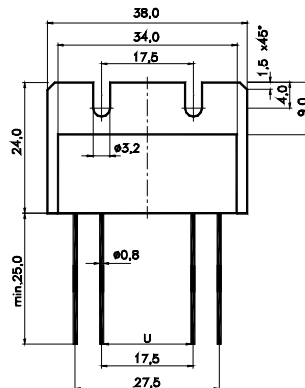
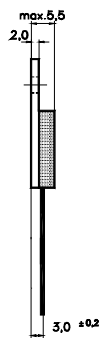
DERATING CURVE



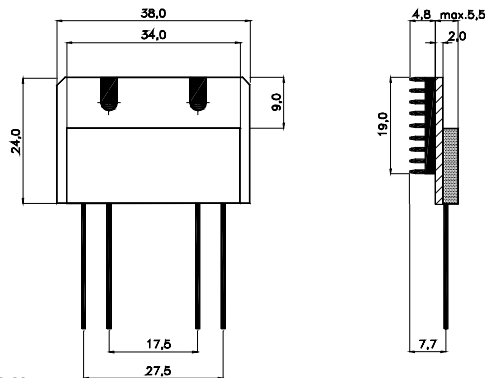
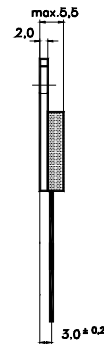
DIMENSIONS



USR/UNR 4-3425



USR/UNR 4-3825 and 4-3825H



Dimensions in mm

HOW TO ORDER

UNR 4-3425 1R0 D 0.1% TK1

USR 4-3825 10R D 0.5% TK3