

Type: RX-9P/35 , RX-9P/80

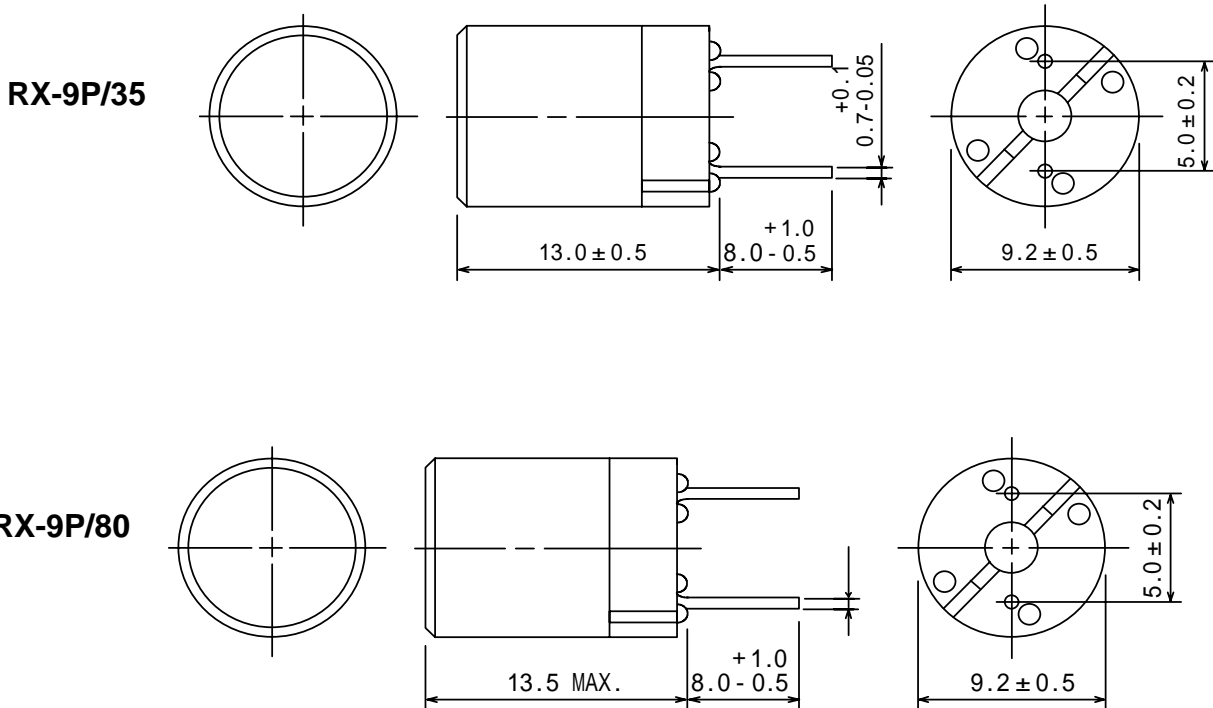
Product Description

- 9.7mm Max. ϕ , 13.5mm Max. Height.
- Inductance range: 1.0 ~ 47mH
- Rated Current Range : 5.2 ~ 110mA
- In addition to the standard versions of inductors shown here, custom inductors are available to meet your exact requirements

Feature

- Magnetically shielded construction.
- Ideally Used in Printers, LCD TV, DVD, Printer, Copy Machine, Mainboard of the compounding machines, etc as Power Supplies's Inductors or DC-DC Converter inductors.
- RoHS Compliance

Dimensions (mm)



Dimension:

RX9PNP-XXXX-8 ϕ	$\phi 0.7$ $\begin{matrix} +0.1 \\ -0.05 \end{matrix}$
RX9PNP-XXXX-8 ϕ TL	$\phi 0.7 \pm 0.1$

Type: RX-9P/35 , RX-9P/80
Specification (RX-9P/35-1)

Part Name	Stamp	Inductance [Within] (at 1kHz)	D.C.R. () [Max.] (at 20)	Unloaded Q <Min.> (at 50kHz)	Rated Current (mA)(Ref.) 1
RX9PNP-1Ø2J-35	102J	1.0mH ± 5%	3.5	40	110.0
RX9PNP-122J-35	122J	1.2mH ± 5%	4.0	40	97.0
RX9PNP-152J-35	152J	1.5mH ± 5%	5.0	50	85.0
RX9PNP-182J-35	182J	1.8mH ± 5%	7.5	50	72.0
RX9PNP-222J-35	222J	2.2mH ± 5%	8.5	50	60.0
RX9PNP-272J-35	272J	2.7mH ± 5%	11.0	50	52.0
RX9PNP-332J-35	332J	3.3mH ± 5%	13.0	50	44.0
RX9PNP-392J-35	392J	3.9mH ± 5%	15.0	50	37.0
RX9PNP-472J-35	472J	4.7mH ± 5%	22.0	50	34.0
RX9PNP-562J-35	562J	5.6mH ± 5%	25.0	50	30.0
RX9PNP-682J-35	682J	6.8mH ± 5%	30.0	50	25.0
RX9PNP-822J-35	822J	8.2mH ± 5%	39.0	50	21.0
RX9PNP-1Ø3J-35	103J	10.0mH ± 5%	42.0	50	18.0
RX9PNP-123J-35	123J	12.0 mH ± 5%	50.0	50	15.0
RX9PNP-153J-35	153J	15.0 mH ± 5%	65.0	50	13.0
RX9PNP-183J-35	183J	18.0 mH ± 5%	75.0	50	11.0
RX9PNP-223J-35	223J	22.0 mH ± 5%	105.0	45	10.0
RX9PNP-273J-35	273J	27.0 mH ± 5%	120.0	45	8.2
RX9PNP-333J-35	333J	33.0 mH ± 5%	135.0	45	7.5
RX9PNP-393J-35	393J	39.0 mH ± 5%	190.0	45	6.4
RX9PNP-473J-35	473J	47.0 mH ± 5%	250.0	45	5.2

Type: RX-9P/35 , RX-9P/80
Specification (RX-9P/35-2)

Part Name	Stamp	Inductance [Within] (at 1kHz)	D.C.R. () [Max.] (at 20)	Unloaded Q <Min.> (at 50kHz)	Rated Current (mA)(Ref.) 1
RX9PNP-102K-35	102K	1.0mH ± 10%	3.5	40	110.0
RX9PNP-122K-35	122K	1.2mH ± 10%	4.0	40	97.0
RX9PNP-152K-35	152K	1.5mH ± 10%	5.0	50	85.0
RX9PNP-182K-35	182K	1.8mH ± 10%	7.5	50	72.0
RX9PNP-222K-35	222K	2.2mH ± 10%	8.5	50	60.0
RX9PNP-272K-35	272K	2.7mH ± 10%	11.0	50	52.0
RX9PNP-332K-35	332K	3.3mH ± 10%	13.0	50	44.0
RX9PNP-392K-35	392K	3.9mH ± 10%	15.0	50	37.0
RX9PNP-472K-35	472K	4.7mH ± 10%	22.0	50	34.0
RX9PNP-562K-35	562K	5.6mH ± 10%	25.0	50	30.0
RX9PNP-682K-35	682K	6.8mH ± 10%	30.0	50	25.0
RX9PNP-822K-35	822K	8.2mH ± 10%	39.0	50	21.0
RX9PNP-103K-35	103K	10.0mH ± 10%	42.0	50	18.0
RX9PNP-123K-35	123K	12.0 mH ± 10%	50.0	50	15.0
RX9PNP-153K-35	153K	15.0 mH ± 10%	65.0	50	13.0
RX9PNP-183K-35	183K	18.0 mH ± 10%	75.0	50	11.0
RX9PNP-223K-35	223K	22.0 mH ± 10%	105	45	10.0
RX9PNP-273K-35	273K	27.0 mH ± 10%	120	45	8.2
RX9PNP-333K-35	333K	33.0 mH ± 10%	135	45	7.5
RX9PNP-393K-35	393K	39.0 mH ± 10%	190	45	6.4
RX9PNP-473K-35	473K	47.0 mH ± 10%	250	45	5.2

Type: RX-9P/35 , RX-9P/80
Specification (RX-9P/80-1)

Part Name	Stamp	Inductance [Within] (at 1kHz)	D.C.R. () [Max.] (at 20)	Unloaded Q <Min.> (at 50kHz)	Rated Current (mA)(Ref.) 1
RX9PNP-102K-8Ø	102K	1.0mH ± 10%	3.5	40	110.0
RX9PNP-122K-8Ø	122K	1.2mH ± 10%	4.0	40	97.0
RX9PNP-152K-8Ø	152K	1.5mH ± 10%	5.0	50	85.0
RX9PNP-182K-8Ø	182K	1.8mH ± 10%	7.5	50	72.0
RX9PNP-222K-8Ø	222K	2.2mH ± 10%	8.5	50	60.0
RX9PNP-272K-8Ø	272K	2.7mH ± 10%	11.0	50	52.0
RX9PNP-332K-8Ø	332K	3.3mH ± 10%	13.0	50	44.0
RX9PNP-392K-8Ø	392K	3.9mH ± 10%	15.0	50	37.0
RX9PNP-472K-8Ø	472K	4.7mH ± 10%	22.0	50	34.0
RX9PNP-562K-8Ø	562K	5.6mH ± 10%	25.0	50	30.0
RX9PNP-682K-8Ø	682K	6.8mH ± 10%	30.0	50	25.0
RX9PNP-822K-8Ø	822K	8.2mH ± 10%	39.0	50	21.0
RX9PNP-103K-8Ø	103K	10.0mH ± 10%	42.0	50	18.0
RX9PNP-123K-8Ø	123K	12.0 mH ± 10%	50.0	50	15.0
RX9PNP-153K-8Ø	153K	15.0 mH ± 10%	65.0	50	13.0
RX9PNP-183K-8Ø	183K	18.0 mH ± 10%	75.0	50	11.0
RX9PNP-223K-8Ø	223K	22.0 mH ± 10%	105	45	10.0
RX9PNP-273K-8Ø	273K	27.0 mH ± 10%	120	45	8.2
RX9PNP-333K-8Ø	333K	33.0 mH ± 10%	135	45	7.5
RX9PNP-393K-8Ø	393K	39.0 mH ± 10%	190	45	6.4
RX9PNP-473K-8Ø	473K	47.0 mH ± 10%	250	45	5.2

Type: RX-9P/35 , RX-9P/80
Specification (RX-9P/80-2)

Part Name	Stamp	Inductance [Within] (at 1kHz)	D.C.R. () [Max.] (at 20)	Unloaded Q <Min.> (at 50kHz)	Rated Current (mA)(Ref.) 1
RX9PNP-102J-8Ø	102J	1.0mH ± 5%	3.5	40	110.0
RX9PNP-122J-8Ø	122J	1.2mH ± 5%	4.0	40	97.0
RX9PNP-152J-8Ø	152J	1.5mH ± 5%	5.0	50	85.0
RX9PNP-182J-8Ø	182J	1.8mH ± 5%	7.5	50	72.0
RX9PNP-222J-8Ø	222J	2.2mH ± 5%	8.5	50	60.0
RX9PNP-272J-8Ø	272J	2.7mH ± 5%	11.0	50	52.0
RX9PNP-332J-8Ø	332J	3.3mH ± 5%	13.0	50	44.0
RX9PNP-392J-8Ø	392J	3.9mH ± 5%	15.0	50	37.0
RX9PNP-472J-8Ø	472J	4.7mH ± 5%	22.0	50	34.0
RX9PNP-562J-8Ø	562J	5.6mH ± 5%	25.0	50	30.0
RX9PNP-682J-8Ø	682J	6.8mH ± 5%	30.0	50	25.0
RX9PNP-822J-8Ø	822J	8.2mH ± 5%	39.0	50	21.0
RX9PNP-103J-8Ø	103J	10.0mH ± 5%	42.0	50	18.0
RX9PNP-123J-8Ø	123J	12.0 mH ± 5%	50.0	50	15.0
RX9PNP-153J-8Ø	153J	15.0 mH ± 5%	65.0	50	13.0
RX9PNP-183J-8Ø	183J	18.0 mH ± 5%	75.0	50	11.0
RX9PNP-223J-8Ø	223J	22.0 mH ± 5%	105.0	45	10.0
RX9PNP-273J-8Ø	273J	27.0 mH ± 5%	120.0	45	8.2
RX9PNP-333J-8Ø	333J	33.0 mH ± 5%	135.0	45	7.5
RX9PNP-393J-8Ø	393J	39.0 mH ± 5%	190.0	45	6.4
RX9PNP-473J-8Ø	473J	47.0 mH ± 5%	250.0	45	5.2

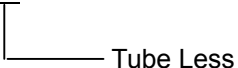
Type: RX-9P/35 , RX-9P/80
Specification (RX-9P/80-3)

Part Name	Stamp	Inductance [Within] (at 1kHz)	D.C.R. () [Max.] (at 20)	Unloaded Q <Min.> (at 50kHz)	Rated Current (mA)(Ref.) 1
RX9PNP-102J-80TL	102J	1.0mH ± 5%	3.5	40	110.0
RX9PNP-122J-80TL	122J	1.2mH ± 5%	4.0	40	97.0
RX9PNP-152J-80TL	152J	1.5mH ± 5%	5.0	50	85.0
RX9PNP-182J-80TL	182J	1.8mH ± 5%	7.5	50	72.0
RX9PNP-222J-80TL	222J	2.2mH ± 5%	8.5	50	60.0
RX9PNP-272J-80TL	272J	2.7mH ± 5%	11.0	50	52.0
RX9PNP-332J-80TL	332J	3.3mH ± 5%	13.0	50	44.0
RX9PNP-392J-80TL	392J	3.9mH ± 5%	15.0	50	37.0
RX9PNP-472J-80TL	472J	4.7mH ± 5%	22.0	50	34.0
RX9PNP-562J-80TL	562J	5.6mH ± 5%	25.0	50	30.0
RX9PNP-682J-80TL	682J	6.8mH ± 5%	30.0	50	25.0
RX9PNP-822J-80TL	822J	8.2mH ± 5%	39.0	50	21.0
RX9PNP-103J-80TL	103J	10.0 mH ± 5%	42.0	50	18.0
RX9PNP-123J-80TL	123J	12.0 mH ± 5%	50.0	50	15.0
RX9PNP-153J-80TL	153J	15.0 mH ± 5%	65.0	50	13.0
RX9PNP-183J-80TL	183J	18.0 mH ± 5%	75.0	50	11.0
RX9PNP-223J-80TL	223J	22.0 mH ± 5%	105.0	45	10.0
RX9PNP-273J-80TL	273J	27.0 mH ± 5%	120.0	45	8.2
RX9PNP-333J-80TL	333J	33.0 mH ± 5%	135.0	45	7.5
RX9PNP-393J-80TL	393J	39.0 mH ± 5%	190.0	45	6.4
RX9PNP-473J-80TL	473J	47.0 mH ± 5%	250.0	45	5.2

Type: RX-9P/35 , RX-9P/80
Specification (RX-9P/80-4)

Part Name	Stamp	Inductance [Within] (at 1kHz)	D.C.R. () [Max.] (at 20)	Unloaded Q <Min.> (at 50kHz)	Rated Current (mA)(Ref.) 1
RX9PNP-102K-80TL	102K	1.0mH ± 10%	3.5	40	110.0
RX9PNP-122K-80TL	122K	1.2mH ± 10%	4.0	40	97.0
RX9PNP-152K-80TL	152K	1.5mH ± 10%	5.0	50	85.0
RX9PNP-182K-80TL	182K	1.8mH ± 10%	7.5	50	72.0
RX9PNP-222K-80TL	222K	2.2mH ± 10%	8.5	50	60.0
RX9PNP-272K-80TL	272K	2.7mH ± 10%	11.0	50	52.0
RX9PNP-332K-80TL	332K	3.3mH ± 10%	13.0	50	44.0
RX9PNP-392K-80TL	392K	3.9mH ± 10%	15.0	50	37.0
RX9PNP-472K-80TL	472K	4.7mH ± 10%	22.0	50	34.0
RX9PNP-562K-80TL	562K	5.6mH ± 10%	25.0	50	30.0
RX9PNP-682K-80TL	682K	6.8mH ± 10%	30.0	50	25.0
RX9PNP-822K-80TL	822K	8.2mH ± 10%	39.0	50	21.0
RX9PNP-103K-80TL	103K	10.0 mH ± 10%	42.0	50	18.0
RX9PNP-123K-80TL	123K	12.0 mH ± 10%	50.0	50	15.0
RX9PNP-153K-80TL	153K	15.0 mH ± 10%	65.0	50	13.0
RX9PNP-183K-80TL	183K	18.0 mH ± 10%	75.0	50	11.0
RX9PNP-223K-80TL	223K	22.0 mH ± 10%	105.0	45	10.0
RX9PNP-273K-80TL	273K	27.0 mH ± 10%	120.0	45	8.2
RX9PNP-333K-80TL	333K	33.0 mH ± 10%	135.0	45	7.5
RX9PNP-393K-80TL	393K	39.0 mH ± 10%	190.0	45	6.4
RX9PNP-473K-80TL	473K	47.0 mH ± 10%	250.0	45	5.2

Description of part Name

RX9PNP-102J-80TL

 Tube Less

1. Rated current: The DC current at which the inductance decreases 90% of it's initial value(Ta = 20).