

SMD TYPE

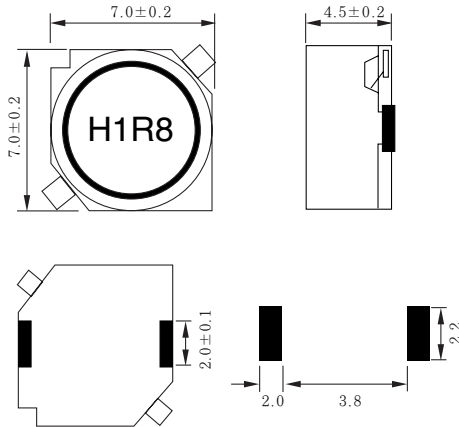
LPF7045-C SERIES

SMD Shielded type

SHAPES & DIMENSIONS

RECOMMENDED SOLDER LAND PATTERN

(Dimensions in mm)



ELECTRICAL CHARACTERISTICS

Ordering Code	Inductance (μH)	Inductance TOL.(%)	Test Freq. (KHz)	DC Resistance (mΩ)Max	Rated Current(A)	
					IDC1 (Max.)	IDC2 (Ref.)
LPF7045T-1R0N-C	1.0	± 30	100	10.5	11.3	6.1
LPF7045T-1R5N-C	1.5			12.6	9.4	5.5
LPF7045T-1R8N-C	1.8			14.8	7.4	5.0
LPF7045T-3R0M-C	3.0	± 20		25.5	5.7	4.3
LPF7045T-4R7M-C	4.7			33.0	4.4	3.5
LPF7045T-6R8M-C	6.8			43.5	3.8	3.1
LPF7045T-8R2M-C	8.2			53.5	3.4	2.9
LPF7045T-100M-C	10			59.5	3.2	2.5

TEST EQUIPMENTS

- Inductance: Agilent 4284A LCR Meter (100KHz 0.5V)
- Rdc: HIOKI 3540 mΩ HiTESTER
- Bias Current: Agilent 4284A + Agilent 42841A
- IDC1(The saturation current): $\Delta L \leq 30\%$ at rated current
- IDC2(The temperature rise): $\Delta T = 40^\circ\text{C}$ at rated current

OPERATING TEMPERATURE RANGE

-20 ~ +85°C (Including self-generated heat)

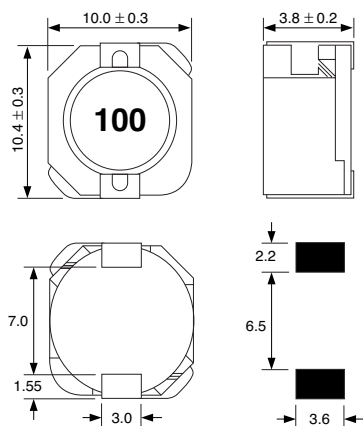
LPF1040 SERIES

SMD Shielded type

SHAPES & DIMENSIONS

RECOMMENDED PCB PATTERN

(Dimensions in mm)



ELECTRICAL CHARACTERISTICS

Ordering Code	Inductance (μH)	Inductance TOL.(%)	Test Freq. (KHz)	DC Resistance (Ω)Max	Rated Current(A)	
					IDC1 (Max.)	IDC2 (Ref.)
LPF1040T-1R8N	1.8	± 30	100	0.010	8.50	6.50
LPF1040T-3R7N	3.7			0.013	7.00	5.50
LPF1040T-4R7N	4.7			0.016	5.80	5.20
LPF1040T-6R8N	6.8			0.025	5.50	5.00
LPF1040T-8R2M	8.2	± 20		0.027	4.80	4.80
LPF1040T-100M	10			0.035	4.40	3.80
LPF1040T-150M	15			0.050	3.60	3.10
LPF1040T-220M	22			0.073	2.90	2.50
LPF1040T-330M	33			0.093	2.40	2.20
LPF1040T-470M	47			0.150	2.10	1.90
LPF1040T-680M	68		0.213	1.50	1.42	
LPF1040T-101M	100		0.304	1.35	1.25	
LPF1040T-221M	220	0.756	0.92	0.70		

TEST EQUIPMENTS

- Inductance: Agilent 4284A LCR Meter (100KHz 0.5V)
- Rdc: HIOKI 3540 mΩ HiTESTER
- Bias Current: Agilent 4284A + Agilent 42841A
- IDC1(The saturation current): $\Delta L \leq 30\%$ at rated current
- IDC2(The temperature rise): $\Delta T = 30^\circ\text{C}$ at rated current

OPERATING TEMPERATURE RANGE

-40 ~ +105°C (Including self-generated heat)