

# SMTT-50

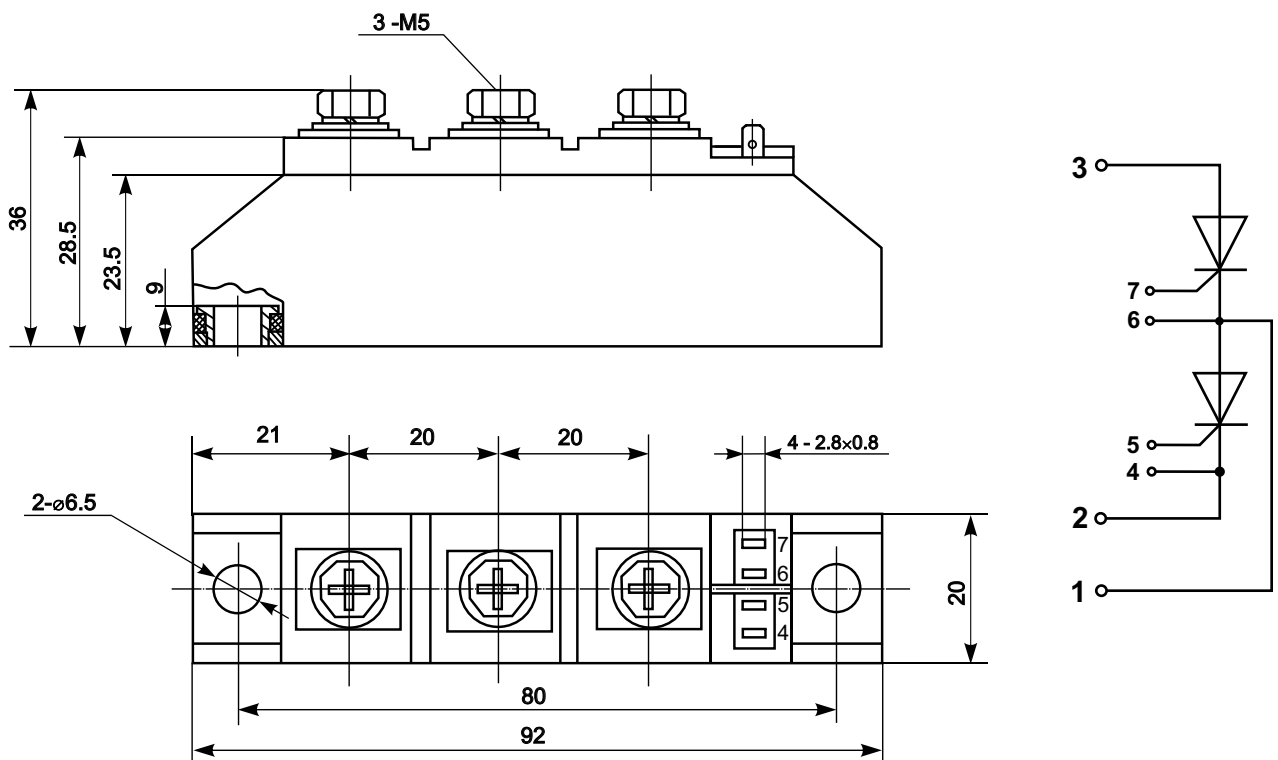


## Thyristor-Thyristor Module



Type	$V_{RSM}$	$V_{RRM}$ , $V_{DRM}$
SMTT-50-08	900	800
SMTT-50-12	1300	1200
SMTT-50-14	1500	1400
SMTT-50-16	1700	1600
SMTT-50-18	1900	1800

Type	$I_{TAVM}$	$I_{TRMS}$	$T_c$	$I_{TSM}$	$(di/dt)_{cr}$	$(dv/dt)_{cr}$	$V_{TM}$	$I_{TM}$	$V_{TO}$	$r_T$	$t_q$	$V_{GT}$	$I_{GT}$	$T_{VJM}$	$V_{isol}$	$R_{thJC}$
	A	A	°C	kA	A/μs	V/μs	V	A	V	mΩ	μs	V	mA	°C	V	K/W
SMTT-50	55	120	85	1.2	150	500	1.57	170	0.85	4.5	150	1.5	100	125	2500	0.48



### Features:

- Industrial standard package
- Heat transfer through aluminium nitride ceramic isolated metal baseplate
- Precise internal pressure contacts for high reliability
- 2500V RMS isolation voltage

### Typical Applications:

- DC motor control
- AC motor soft starter
- Temperature control (e.g. for ovens, chemical processes)
- Lighting control