

SURFACE MOUNT 180° HYBRID MODEL SMJ-CA13

WIDE BANDWIDTH

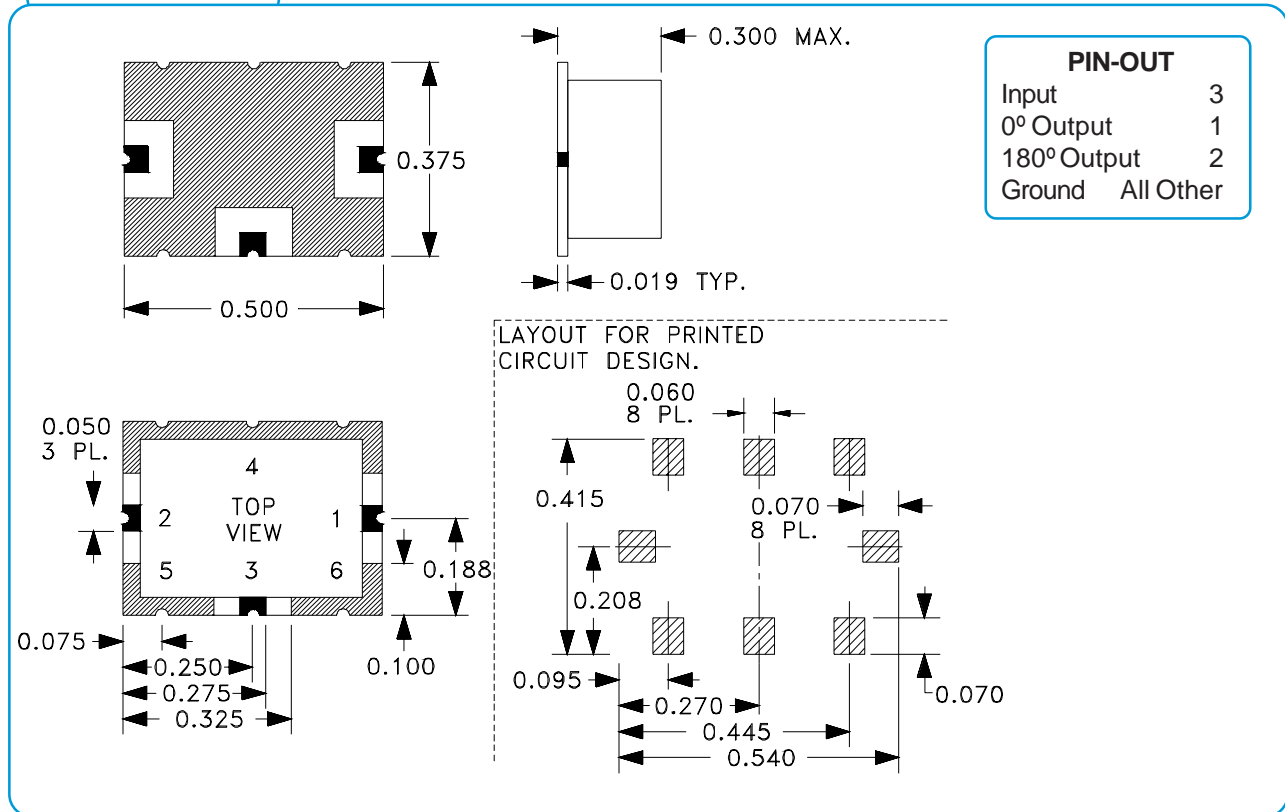
500 - 1500 MHz

SPECIFICATIONS

Operating Frequency:	500 - 1500 MHz	Amplitude Unbalance:	0.5(Typ)/1.0 dB (Max)
Insertion Loss:	1.5 dB (Typ)/2.5dB (Max)	VSWR :	2.0:1 (Max)
Isolation:	20 dB (Typ)/15 dB (Min)	Impedance:	50 Ohms (Nom)
Phase Unbalance:	5.0° (Typ)/8.0° (Max)	Power Handling:	1 Watt(Max)
		Operating Temp. Range:	-20° to +70°C



MECHANICAL OUTLINE: 152



SURFACE MOUNT 180° HYBRID MODEL SMJ-CA13

WIDE BANDWIDTH

500 - 1500 MHz

PERFORMANCE PLOTS

