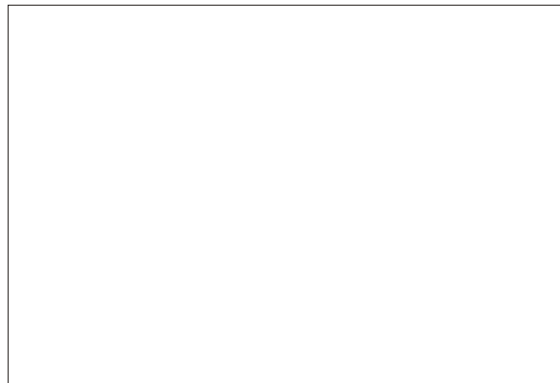


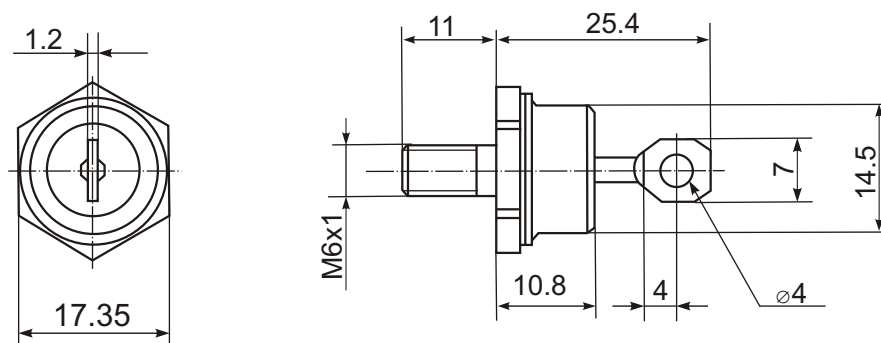
SMD-80



Rectifier Diode



| Type | V_{RRM} | $I_{FAVM} (T_c, ^\circ C)$ | I_{FRMS} | I_{FSM} | i^2t | V_{FM} | I_{FM} | V_{FO} | r_F | T_{VJM} | R_{thJC} |
|--------|-----------|----------------------------|------------|-----------|---------|----------|----------|----------|-----------|------------|------------|
| | V | A | A | A | kA^2s | V | A | V | $m\Omega$ | $^\circ C$ | K/W |
| SMD-80 | 100-1200 | 85 (140) | 133 | 1700 | 14.5 | 1.20 | 220 | 0.80 | 1.6 | 150 | 0.90 |



SMD-80



SMD-80R



Features:

- Hermetic metal case with ceramic insulator
- Capacity of supporting high surge current
- International standard case

Typical Applications:

- AC/DC converters
- DC power supplies
- Mechine tool controls