

# QUADRATURE HYBRID MODEL DQP-202

WIDE BANDWIDTH

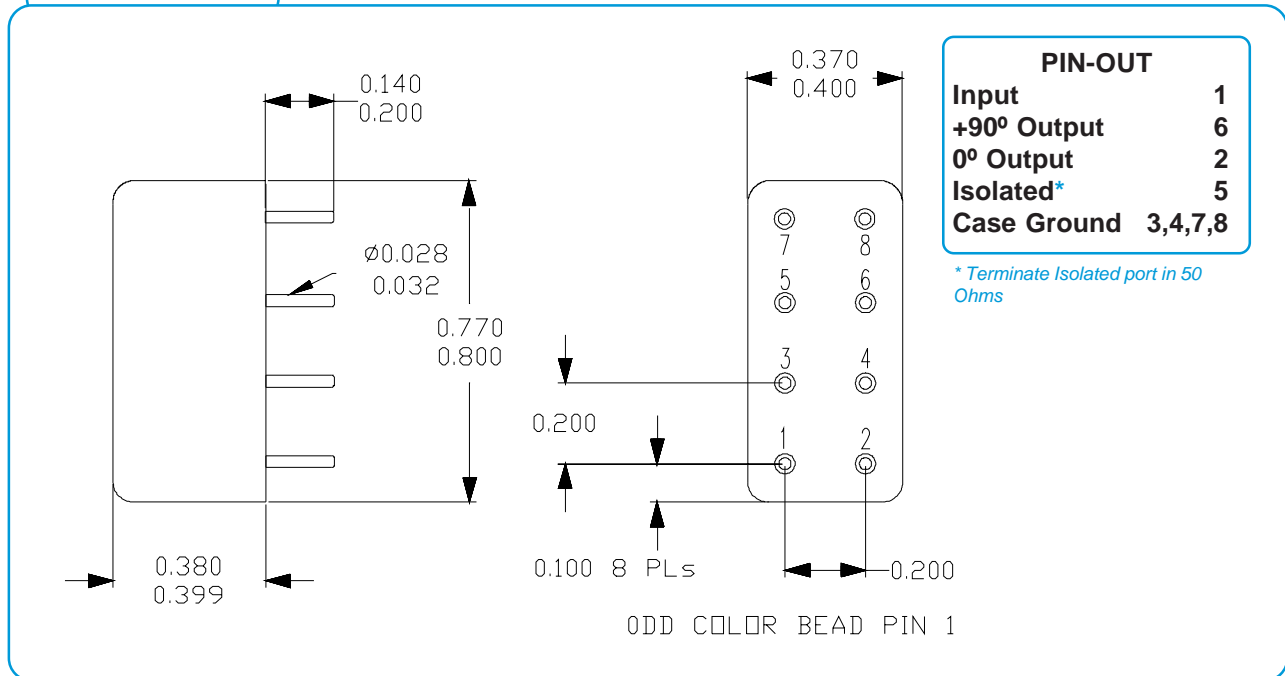
40 - 80 MHz

## SPECIFICATIONS

<b>Operating Frequency:</b>	40 - 80 MHz	<b>Phase Unbalance:</b>	1° (Typ)/ 3° (Max)
<b>Insertion Loss:</b>	0.3 dB (Typ)/0.6 dB (Max)	<b>VSWR :</b>	1.1:1 (Max)
<b>Isolation:</b>	25 dB (Typ)/20 dB (Min)	<b>Power Rating:</b>	1 Watt (Max)
<b>Amplitude Unbalance:</b>	0.4 dB (Typ)/0.75 dB (Max)	<b>Impedance:</b>	50 Ohms
		<b>Operating Temp. Range:</b>	-55° to +100°C



## MECHANICAL OUTLINE: 102



# QUADRATURE HYBRID MODEL DQP-202

WIDE BANDWIDTH

40 - 80 MHz

## PERFORMANCE PLOTS

