

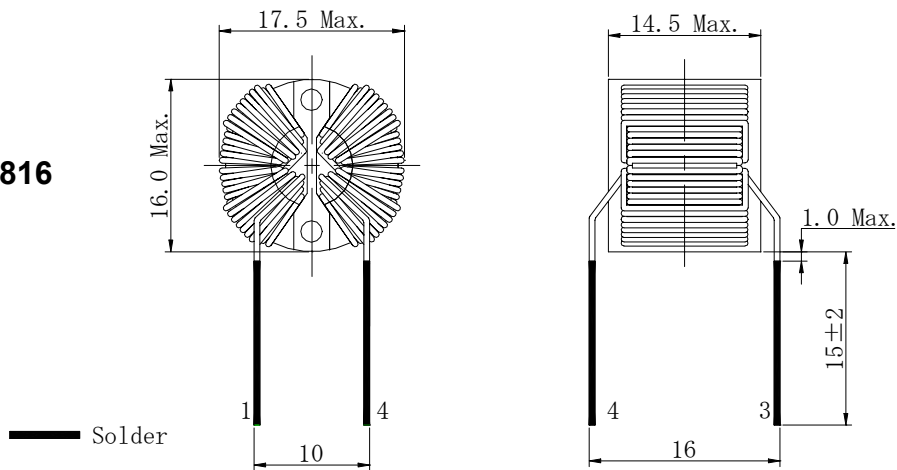
Type: PFC1816, PFC1816B

◆ Product Description

- 17.5×14.5mm Max.(L×W), 16.0mm Max. Height (PFC1816);
19.0×11.0mm Max.(L×W), 16.0mm Max. Height (PFC1816B)
- Inductance range: 3.0mH~12.0mH (PFC1816); 3.0mH~9.0mH (PFC1816B);
- In addition to the standard versions of parameters shown here, custom designs are available to meet your exact requirements.

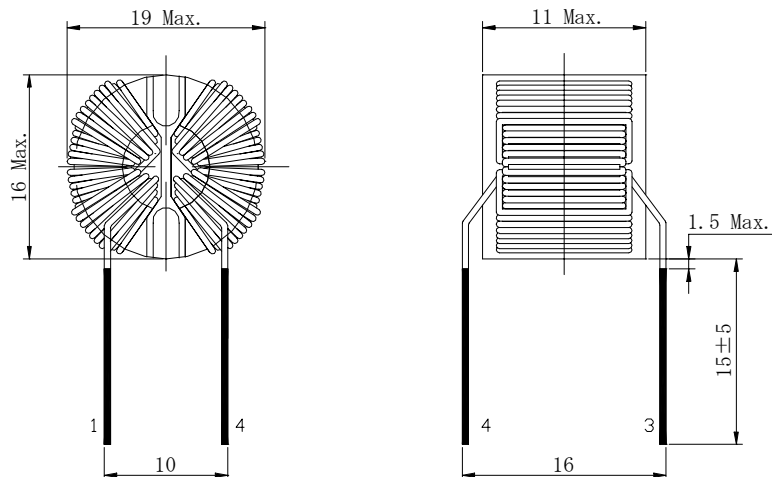
◆ Feature

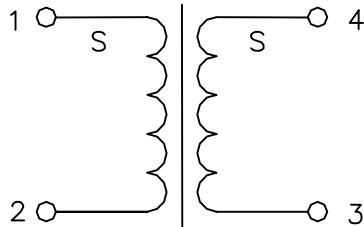
- Safety standard conformance such as UL.
- Ideally used in TV, VCRs, OA devices.
- RoHS Compliance

◆ Dimensions (mm)
● PFC1816


* Dimension does not include solder used on coil.

* Dimension between terminals are reference for PCB, they won't be ensured when delivery.

● PFC1816B


Type: PFC1816, PFC1816B
◆ Schematics (Bottom)


“S” is winding start.

◆ Specification (PFC1816)

Part Name	Turns ※1	Wire	Inductance [Within] 100kHz, 0.1V	D.C.R.(mΩ) [Typ.]
			(1-2) or (4-3)	(1-2) or (4-3)
PFC1816-123	43T	0.40UEW	12mH±20%	180
PFC1816-093	37T	0.45UEW	9mH±20%	130
PFC1816-063	30T	0.50UEW	6mH±30%	90
PFC1816-033	22T	0.50UEW	3mH±30%	65

◆ Specification (PFC1816B)

Part Name	Turns ※1	Wire	Inductance [Typ.] 100kHz, 0.1V	D.C.R.(mΩ) [Typ.]
			(1-2) or (4-3)	(1-2) or (4-3)
PFC1816B-093	40T	0.40UEW	9mH	145
PFC1816B-063	32T	0.45UEW	6mH	100
PFC1816B-033	22T	0.55UEW	3mH	45

※1 Winding turns is for reference, but winding turns ratio is fixed.