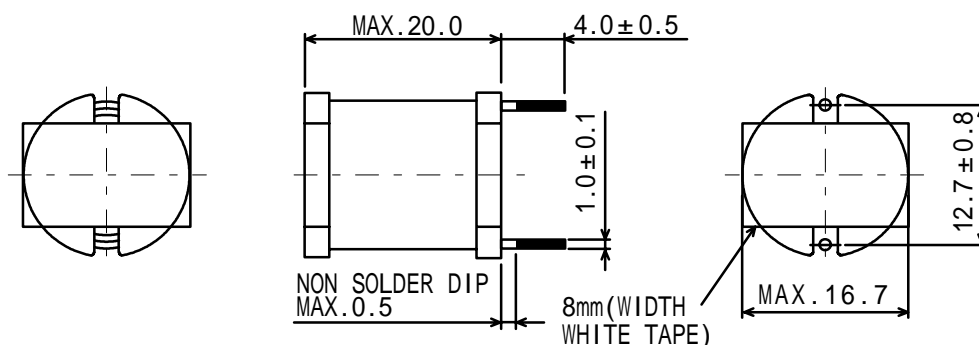


**Type: MCDR1419B**
**Product Description**

- 16.7mm Max. , 20.0mm Max. Height.
- Inductance Range: to 22  $\mu$  H
- Rated current range: 6.0A
- In addition to the standard versions of inductors shown here, custom inductors are available to meet your exact requirements.

**Feature**

- Magnetically unshielded construction.
- Ideally Used in Printers, LCD TV, DVD, Printer, Copy Machine, Mainboard of the compounding machines, etc as power supplies's Inductors or DC-DC Converter inductors.
- RoHS Compliance

**Dimensions (mm)**

**Specification**

Part Name	Stamp	Inductance [ Within ] 1	D.C.R.(m ) [Max.] (at 20 )	RATED CURRENT (A) 2
MCDR1419BNP-220J	220J	22 $\mu$ H ± 5%	20	6.0

1.Measured frequency : 1kHz

2.Rated Current:the D.C current at which the inductance decreases to 90% of the initial value(Ta=20°C).