

**Type: EI4036/MS**

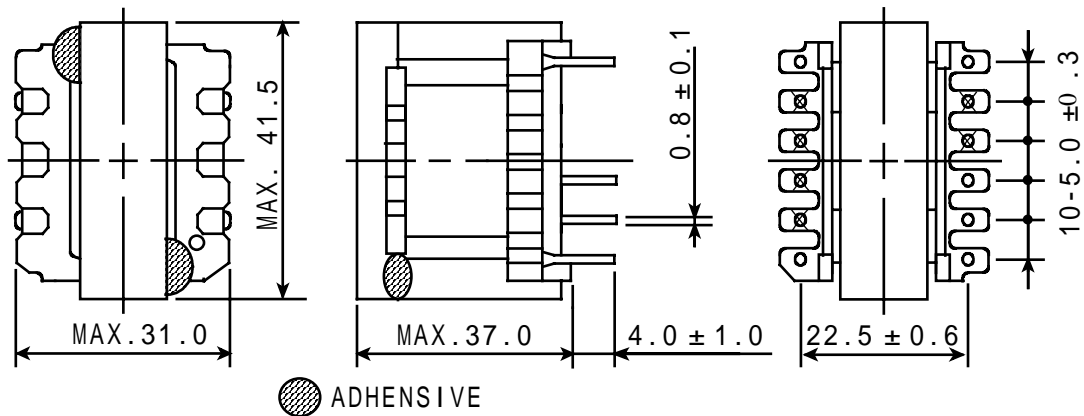
**Product Description**

- 41.5 × 31.0mm Max.(L × W), 37.0mm Max. Height.
- In addition to the typical versions of parameters shown here, custom designs are available to meet your exact requirements

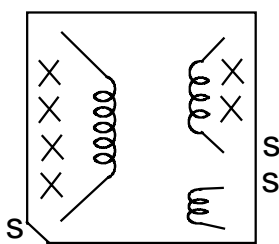
**Feature**

- Max. Operating frequency 500kHz. Max Operating Power 50.0W(500kHz)
- Ideally used in Switching power supply, EL inverter etc.
- RoHS Compliance

**Dimensions (mm)**



**Schematics (Bottom)**



“ S ” is winding start

**Specification**

Sample No.	Inductance (1-6) 1kHz/1V	D.C.R. (1-6)	Hi-pot Winding-winding (50/60Hz)
3393-T007	700μH ± 5%	210mΩ Max.	AC 1500Vrms/1min.