

Type: CLS63

◆ **Product Description**

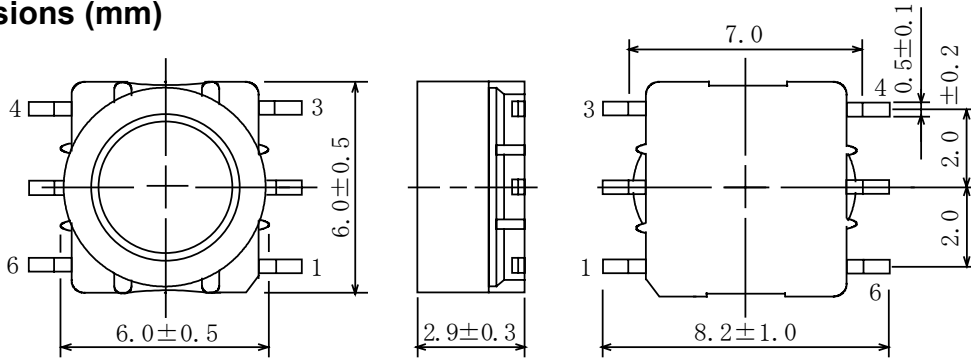
- 6.5×6.5mm Max.(L×W), 3.2mm Max. Height.
- In addition to the typical versions of parameters shown here, custom designs are available to meet your exact requirements.



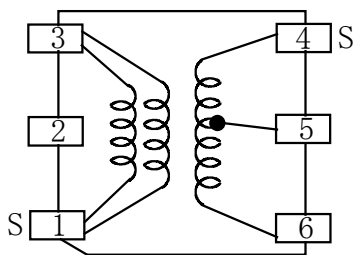
◆ **Feature**

- Magnetically shielded construction.
- Max. Operating frequency 500kHz, Max. Operating Power 200mW (500kHz).
- Ideally used in power supply of DSC, DVC, Note PC.
- RoHS Compliance

◆ **Dimensions (mm)**

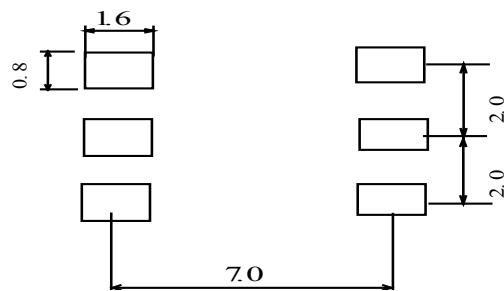


◆ **Schematics (Bottom)**



“ S ” indicates winding start.

◆ **Land Pattern (mm)**



◆ **Specification**

| Sample No. | Inductance (1-3) 1kHz/1V | D.C.R. (1-3) @20°C |
|------------|-----------------------------|-----------------------|
| 6323-T099 | $110\mu\text{H} \pm 30\%$ | Max. 2.6Ω |