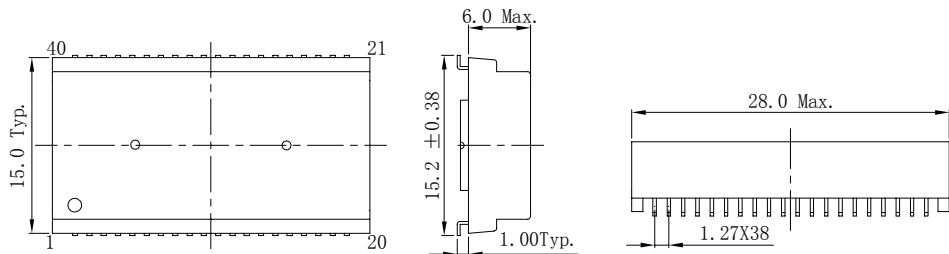
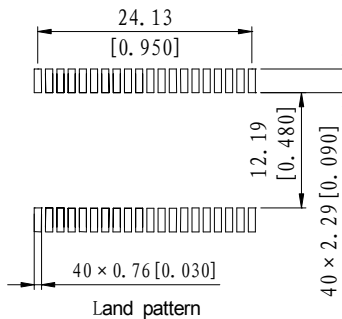
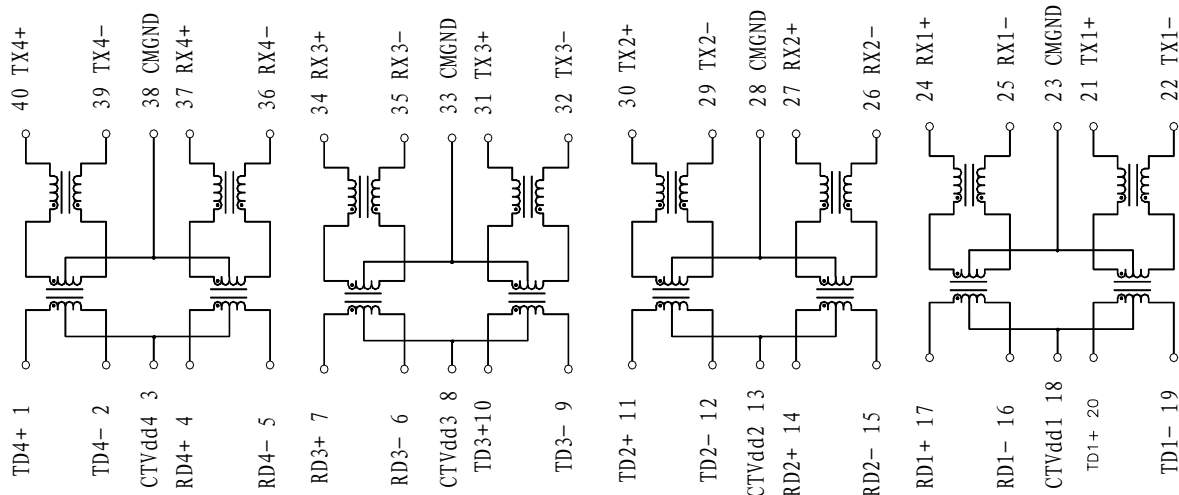


Type: CLP285C
◆ Product Description

- 28.0mm Max. × 15.0mm Typ. (L×W), 6.0mm Max. Height.
- Pulse transformer + filter module for LAN 10/100 Base-T(IEEE802.3).
- In addition to the typical parameters shown here, custom designs are available.


◆ Feature

- 10/100Base-T discrete quad port modules.
- Ideally used in LAN applications, DSL router, Wireless router. Hub, Switch, etc.
- RoHS Compliance.

◆ Dimensions (mm)

◆ Land Pattern (mm)

◆ Schematics(Bottom)


Type: CLP285C
◆ Specification(C24105NP)

Item	Specification (RX)	Specification (TX)	Condition
Insertion loss	-1.0dB Min.	-1.0dB Min.	0.1~100MHz
Return loss	-18dB Max.	-18dB Max.	1~30MHz
	-14.4dB Max	-14.4dB Max	40MHz
	-13.1dB Max.	-13.1dB Max.	50MHz
	-12dB Max.	-12dB Max.	60~80MHz
Differential to common Mode rejection	-37dB Max.	-37dB Max.	1~60MHz
	-25dB Max.	-25dB Max.	60~200MHz
OCL	350 μ H Min.	350 μ H Min.	100kHz,100mV,8mA DC bias
Turns ratio	1:1 \pm 2%	1:1 \pm 2%	100kHz, 100mV
Cross talk	-55dB Max.	-55dB Max.	1MHz
	-45dB Max.	-45dB Max.	30MHz
	-40dB Max.	-40dB Max.	60MHz
	-33dB Max.	-33dB Max.	100MHz
Hipot	AC 1500Vrms		0.5mA, 1Min, 50/60Hz