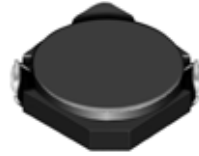
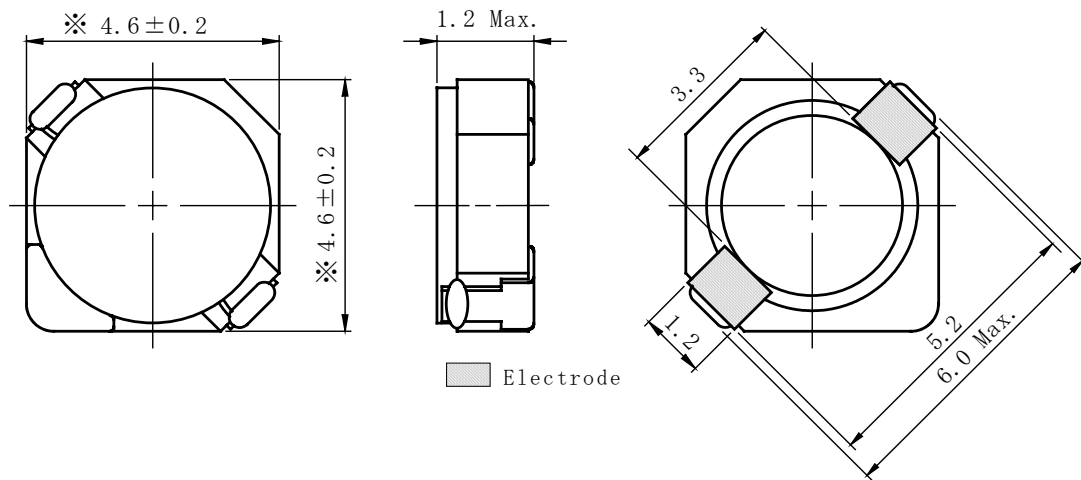
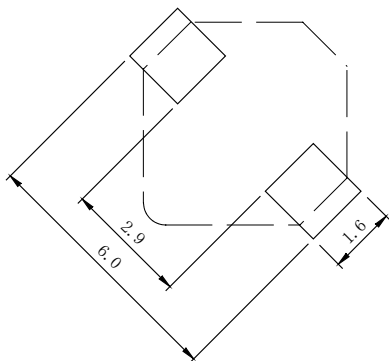


Type: CDRH4D11
◆ Product Description

- 4.8 × 4.8mm Max.(L × W), 1.2mm Max. Height.
- Inductance range: 0.6 ~ 47 μ H.
- Rated current range: 0.31 ~ 2.6A.
- Custom design is available.


◆ Feature

- Magnetically shielded construction.
- Ideally used in Mobile phone, PDA, MP3, DSC/DVC, HDD, portable DVD etc as DC-DC converter inductors.
- RoHS Compliance.

◆ Dimensions (mm)

◆ Land Pattern (mm)


Type: CDRH4D11
◆ Specification

Part Name ※	Stamp	Inductance (μ H) 100kHz/1V	D.C.R.(m Ω) Max.(Typ.) (at 20°C)	Saturation Current (A) ※1		Temperature Rise Current (A) ※2
				(at 20°C)	(at105°C)	
CDRH4D11NP-R60NC	R60	0.60±30%	28.0(21.6)	2.60	2.00	3.50
CDRH4D11NP-1R0NC	1R0	1.0±30%	33.8(27.1)	2.10	1.58	2.80
CDRH4D11NP-1R5NC	1R5	1.5±30%	56.0(44.8)	1.73	1.30	2.00
CDRH4D11NP-2R2NC	2R2	2.2±30%	81.0(65.0)	1.35	1.00	1.70
CDRH4D11NP-3R3NC	3R3	3.3±30%	106.7(85.4)	1.17	0.86	1.45
CDRH4D11NP-4R7NC	4R7	4.7±30%	137.6(110.0)	0.99	0.72	1.30
CDRH4D11NP-5R6NC	5R6	5.6±30%	154.0(123.4)	0.90	0.68	1.20
CDRH4D11NP-6R8NC	6R8	6.8±30%	206.5(165.0)	0.81	0.60	1.00
CDRH4D11NP-8R2NC	8R2	8.2±30%	273.8(219.0)	0.74	0.54	0.83
CDRH4D11NP-100MC	100	10±20%	297.0(237.6)	0.68	0.50	0.78
CDRH4D11NP-150MC	150	15±20%	460.0(368.0)	0.53	0.40	0.63
CDRH4D11NP-220MC	220	22±20%	706.4(565.0)	0.44	0.32	0.50
CDRH4D11NP-330MC	330	33±20%	1004(836.8)	0.36	0.27	0.39
CDRH4D11NP-470MC	470	47±20%	1259(1049)	0.31	0.23	0.34

※ Description of part name

CDRH4D11NP-R60N□

- B Box
- C Carrier Tape

※1.Saturation current: The DC current at which the inductance decreases by 35% from its nominal value.

※2.Temperature rise current: The DC current at which the temperature rise is $\Delta t=40^{\circ}\text{C}$.($T_a=20^{\circ}\text{C}$)