

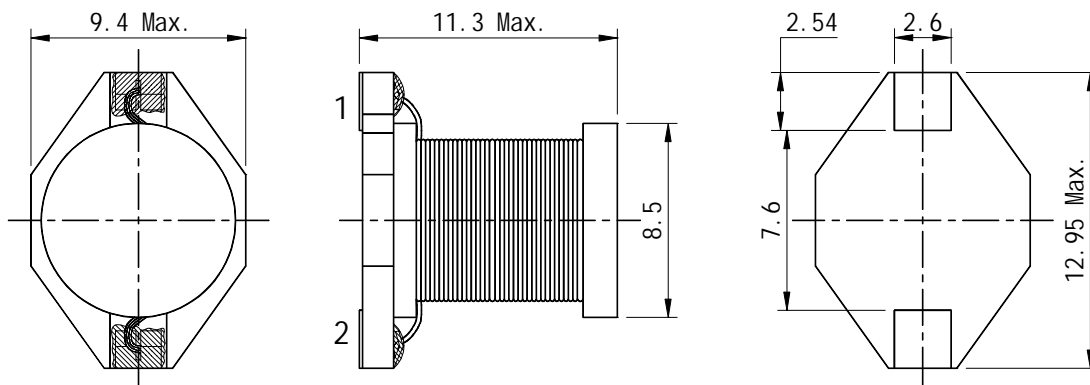
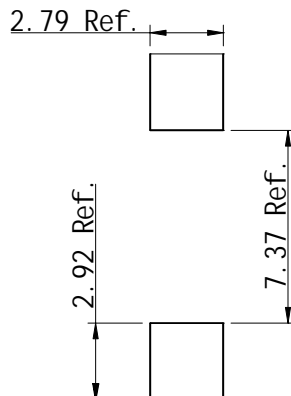
Type: CDR910

UNDER DEVELOPMENT
Product Description

- 12.95 × 9.4mm Max.(L × W), 11.3mm Max. Height.
- Inductance Range: 10 uH ~ 1.0mH
- Rated current range: 0.44 ~ 4.8A
- In addition to the standards versions shown here, custom inductors are also available to meet your exact requirements.


Feature

- Magnetically unshielded construction.
- Ideally used in Communication devices like × DSL modem, router and access point.
- RoHS Compliance.

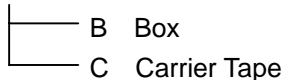
Dimensions (mm)

Land Pattern (mm)


Type: CDR910
Specification

Part Name	Stamp	Inductance [Within] 100kHz/1V	D.C.R.(m Ω) Max.(Typ.) (at 20 $^{\circ}$ C)	Saturation Current Max.(Typ.) (A) 1	Temperature rise current Max.(Typ.) (A) 2
CDR910NP-100M	100	10uH \pm 20%	24 (20)	6.88(8.60)	4.80 (5.50)
CDR910NP-150M	150	15uH \pm 20%	29 (24)	5.76(7.20)	4.30 (4.90)
CDR910NP-180M	180	18uH \pm 20%	32 (26)	5.29 (6.62)	4.00 (4.60)
CDR910NP-220M	220	22uH \pm 20%	45 (36)	4.72 (5.90)	3.40 (3.90)
CDR910NP-330M	330	33uH \pm 20%	65 (54)	3.76 (4.70)	2.60 (3.00)
CDR910NP-470M	470	47uH \pm 20%	85 (68)	3.20 (4.00)	2.42 (2.78)
CDR910NP-680M	680	68uH \pm 20%	125 (100)	2.68 (3.35)	1.90 (2.20)
CDR910NP-101M	101	100uH \pm 20%	190 (155)	2.18 (2.72)	1.50 (1.72)
CDR910NP-151M	151	150uH \pm 20%	280 (230)	1.76 (2.20)	1.20 (1.38)
CDR910NP-221M	221	220uH \pm 20%	360 (300)	1.46 (1.83)	1.10 (1.25)
CDR910NP-331M	331	330uH \pm 20%	565 (470)	1.20 (1.50)	0.85 (0.96)
CDR910NP-471M	471	470uH \pm 20%	820 (670)	1.00 (1.25)	0.71 (0.81)
CDR910NP-681M	681	680uH \pm 20%	1260 (1050)	0.84 (1.05)	0.54 (0.62)
CDR910NP-102M	102	1000uH \pm 20%	1850 (1522)	0.68 (0.85)	0.44 (0.50)

Description of part name

CDR910NP-100M



- 1.Saturation current: The DC current at which the inductance decreases to 90% of it's initial value.
(Ta = 20 $^{\circ}$ C)
- 2.Temperature rise current: The DC current at which the temperature rise is $t = 40$.(Ta = 20 $^{\circ}$ C)