

UNDER DEVELOPMENT

Type: CDEP115ME

Product Description

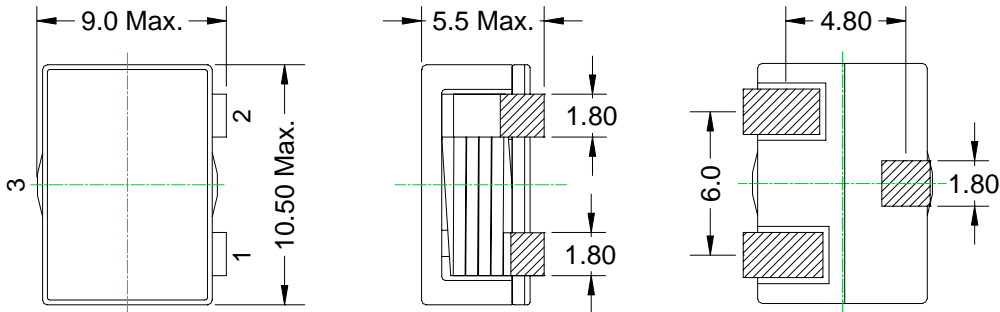
- 10.5 × 9.0mm Max. (L × W), 5.5mm Max. height
- Inductance range: 1.3 μH
- Rated Current Range: 15.3A



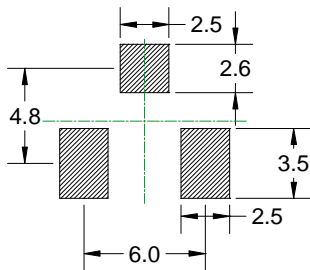
Feature

- Super high current inductors.
- Iron powder core used, Flat wire used.
- Ideally used in POL module DC/DC converter and computer CPU power supply.
- RoHS Compliance

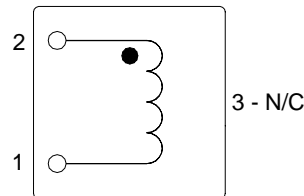
Dimensions (mm)



Land Pattern (mm)



Schematics (Bottom)



Specification

Part Name	Stamp	Inductance [Within] 100kHz	D.C.R.(m Ω) Max.(Typ.) (at 20 °C)	Saturation Current (A) 1	Temperature Rise current (A) 2
CDEP115MENP-1R3M	1R3	1.30uH ± 20%	2.6 (2.2)	13.4	15.3

Description of part name

CDEP115MENP-1R3M

- B Box
- C Carrier Tape

1. Saturation current: The DC current at which the inductance decreases to 75% of it's initial value. (Ta = 20 °C)
- 2 Temperature rise current: The DC current at which the temperature rise is Δt = 40 °C. (Ta = 20 °C)