

- Single Outputs
- Universal Input
- 8VDC to 48VDC Outputs
- Short Circuit Protection
- Full Safety Approvals for Class 2, Outdoor Wet Locations and LED Lighting



Model Number	I/P Voltage	O/P Voltage	O/P Amps min./max.	Output Watts max.	Ripple/Noise max.
ALD60-108VFC	90-264 VAC	8 VDC	0 / 5	40W	80mV
ALD60-110VFC	90-264 VAC	10 VDC	0 / 5	50W	100mV
ALD60-112VFC	90-264 VAC	12 VDC	0 / 5	60W	120mV
ALD60-115VFC	90-264 VAC	15 VDC	0 / 4	60W	150mV
ALD60-118VFC	90-264 VAC	18 VDC	0 / 3.3	60W	180mV
ALD60-121VFC	90-264 VAC	21 VDC	0 / 2.8	60W	210mV
ALD60-124VFC	90-264 VAC	24 VDC	0 / 2.5	60W	240mV
ALD60-148VFC	90-264 VAC	48 VDC	0 / 1.25	60W	480mV

*Note: All noise measurements made at the output terminals, connected to a 20MHz low pass filter



60W, Single Output, Class 2 LED Drivers

ALD60 series

INPUT SPECIFICATIONS

Input Voltage ALD60	90-264 VAC (120/240 VAC Nominal)
Max. In	1.5A @ 100 VAC Input
Input Frequency	47-63Hz
Max. Inrush Current	30A @ 230VAC Input
	25°C, cold start-up

OUTPUT SPECIFICATIONS

Output Voltage/Current	See Model Chart
Output Voltage Adjust	+10/-25%
Max. Output Power	See Model Chart
Efficiency	83% typ. @ FL, 230 VAC Input
Hold Up Time	16mS @ FL, 100 VAC Input
Start Up Time	1 Second, typ.
Transient Response	4mS, FL to 1/2L, 100 VAC Input
Line Regulation	±1% max.
Load Regulation	±3% max.
Over Load Protection	Constant Current Limiting *
Constant Current Mode Regulation	±3% max.
Constant Current Adjust	+5/-95%
Over Voltage Protection	130% max. *
Short Circuit Protection	Hiccup Mode, Auto Recovery *

ENVIRONMENTAL SPECIFICATIONS

MTBF	55K Hrs, FL @ 25°C ambient, Based on MIL-217F
Cooling	Convection
Operating Temp.	-25°C to +60°C FL
Storage Temperature	-40°C to +85°C

All specifications are typical at nominal input, full load, and 25DegC unless otherwise noted

PHYSICAL SPECIFICATIONS

Case / Design / Material / Color / Internal	NEMA 3 / Aluminum
	White / Potted PCB
Mounting and Connection	Flange Mount, AC/DC Conduit
	Entries, Knockouts for 1/2"
	Conduit and Fittings
Size	9.68"L x 2.56"W x 2.05"H
Weight	1.94 lb (880g)

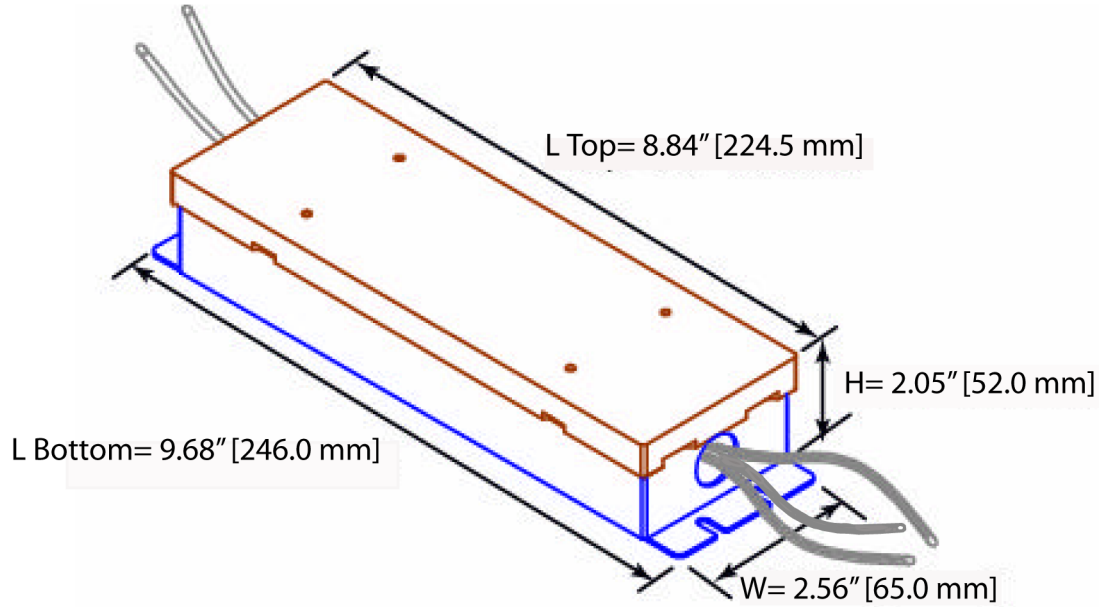
COMPLIANCE / SAFETY

EMI / RFI	CISPR-22B, FCC-15B EMC
Safety Standards	UL/CUL 1310, Class 2, Outdoor Wet Locations for UL 48 LED Lighting
	CE EN60950
Weatherability Standard	EN60529 - Weatherability of an Enclosure - Rated to IP65

* These are stress ratings. Exposure of the devices to any of these conditions may adversely affect long term reliability. Proper operation under conditions other than the standard operating conditions is neither warranted nor implied.

Astrodyne products are not authorized or warranted for use as critical components in life support systems, equipment used in hazardous environments, nuclear controls systems, or other mission-critical applications.

MECHANICAL DIMENSIONS



DC Output Wires		AC Input Wires	
Color	Output	Color	Input
Red	V out	White	Neutral
Black	DC Gnd Return	Black	Line
		Green/Yellow	AC Ground