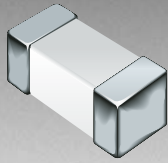


\*RoHS COMPLIANT



**BOURNS®**

**Features**

- 0805 size
- Available in E12 Series
- High frequency
- Nickel barrier
- Lead free

**Applications**

- Mobil phones
- Cellular phones
- CTV, VCR, HIC, FDD
- Automotive electronics

**CE201210 Series - Multi-Layer Chip Inductors**

**Electrical Specifications**

Bourns Part No.	Inductance		Q typ.	Test Freq.	SRF MHz	DCR	I rms
	nH	Tol. %	(@ 100 MHz)	L MHz	min.	mohm max.	mA max.
CE201210-1N5D	1.5	± 0.3 nH	21	100	4000	100	300
CE201210-1N8D	1.8	± 0.3 nH	18	100	4000	100	300
CE201210-2N2D	2.2	± 0.3 nH	18	100	4000	100	300
CE201210-2N7D	2.7	± 0.3 nH	19	100	4000	100	300
CE201210-3N3J	3.3	± 5	16	100	4000	130	300
CE201210-3N9J	3.9	± 5	18	100	4000	150	300
CE201210-4N7J	4.7	± 5	18	100	3500	200	300
CE201210-5N6J	5.6	± 5	20	100	3200	230	300
CE201210-6N8J	6.8	± 5	20	100	2800	250	300
CE201210-8N2J	8.2	± 5	21	100	2400	280	300
CE201210-10NJ	10	± 5	20	100	2100	300	300
CE201210-12NJ	12	± 5	21	100	1900	350	300
CE201210-15NJ	15	± 5	22	100	1600	400	300
CE201210-18NJ	18	± 5	24	100	1500	450	300
CE201210-22NJ	22	± 5	23	100	1400	500	300
CE201210-27NJ	27	± 5	23	100	1300	550	300
CE201210-33NJ	33	± 5	24	100	1200	600	300
CE201210-39NJ	39	± 5	23	100	1000	650	300
CE201210-47NJ	47	± 5	23	100	900	700	300
CE201210-56NJ	56	± 5	23	100	800	750	300
CE201210-68NJ	68	± 5	25	100	700	800	300
CE201210-82NJ	82	± 5	24	100	600	900	300
CE201210-R10J	100	± 5	23	100	600	900	300
CE201210-R12J	120	± 5	22	50	500	950	300
CE201210-R15J	150	± 5	22	50	500	1000	300
CE201210-R18J	180	± 5	23	50	400	1100	300
CE201210-R22J	220	± 5	20	50	350	1200	300
CE201210-R27J	270	± 5	20	50	300	1300	300
CE201210-R33J	330	± 5	22	50	250	1400	300
CE201210-R39J	390	± 5	17	50	250	1300	300
CE201210-R47J	470	± 5	17	50	200	1500	300

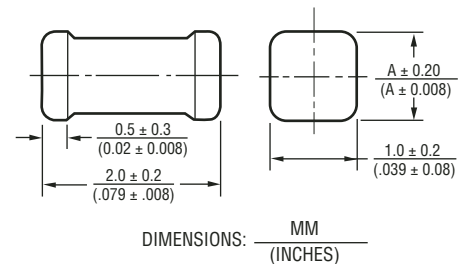
**General Specifications**

Temperature Rise .....30 °C max. at rated current  
 Operating Temperature ..-55 °C to +125 °C  
 Storage Temperature...-55 °C to +125 °C  
 Reflow Soldering ...230 °C, 50 sec. max.  
 Resistance to Soldering Heat .....260 °C, 10 seconds

**Materials**

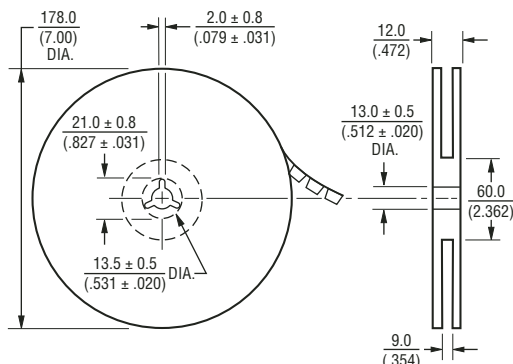
Base Material .....Ceramic  
 Terminal.....Ag/Ni/Sn  
 Packaging:  
 0.85 mm product height .....4,000 pcs. per reel  
 1.00 mm product height .....4,000 pcs. per reel  
 1.25 mm product height .....2,000 pcs. per reel

**Product Dimensions**

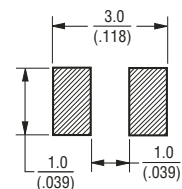


Model	Dimension A
CE201210-1N5D through CE201210-82NJ	0.85 (0.033)
CE201210-R10J through CE201210-R39J	1.00 (0.039)
CE201210-R47J	1.25 (0.050)

**Packaging Specifications**



**Recommended Layout**



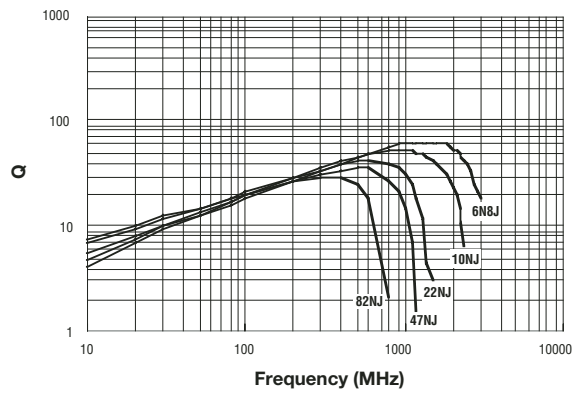
\*RoHS Directive 2002/95/EC Jan 27 2003 including Annex Specifications are subject to change without notice. Customers should verify actual device performance in their specific applications.

# CE201210 Series - Multi-Layer Chip Inductors

**BOURNS®**

## Electrical Specifications

**Q Characteristics**



**DC Bias Characteristics**

