



## SteelVine™ Storage Processor

Storage processor with embedded USB 2.0 and eSATA interfaces

The Si5744 is a low-cost, single-chip solution for digital home and small office storage appliances. This SteelVine Storage Processor connects a USB 2.0 or 3 Gbps eSATA host port to two 3 Gbps eSATA Gen2m device ports. Features of the Si5744 include advanced RAID modes, drive locking, and single-button backup. Extensive software developer kits are available from Silicon Image to simplify product differentiation.

All of the SATA ports on the Si5744 comply with the 3 Gbps eSATA specification, making this semiconductor suitable for use in both internal and external applications. The Si5744 features proprietary eSATA based capacity expansion, which allows users to easily grow the capacity of an existing SteelVine enabled device by adding additional drives. The new drives will appear to the host system as additional space in the existing SteelVine volume.

The Si5744 also features drive locking, which helps protect users' data by allowing them to password lock directly attached and cascaded drives. If a locked drive is detached from its assigned computer or cascade, the data on the drive will be inaccessible until it is reconnected and unlocked with the user supplied password. In addition, the Si5744 supports single-button backup through third-party applications for simple and worry-free data protection.

Si5744 supports JBOD and the following RAID modes: FAST (RAID 0), SAFE (RAID 1) and BIG (Concatenation) as well as two new modes, SAFE50 and SAFE33. SAFE50 creates two volumes across two drives, with half of each physical drive being allocated to each volume. One volume is in SAFE mode (RAID 1) and the other is in BIG (Concatenated) mode. SAFE33 also creates two volumes, but with 1/3 of physical space being dedicated to SAFE mode and 2/3 to BIG mode. These modes offer a balance between protection of critical data and maximization of space for non-critical data. The Si5744 allows RAID mode configuration through a GUI, strap pins, or I<sup>2</sup>C for true software-free implementations.

Which RAID modes are supported depends on the way drives are connected to the storage processor. When adding two drives to the Si5744, BIG, FAST, SAFE, JBOD, SAFE50 and SAFE33 are supported. When drives are cascaded, BIG and SAFE are available.

## Si5744

### Applications

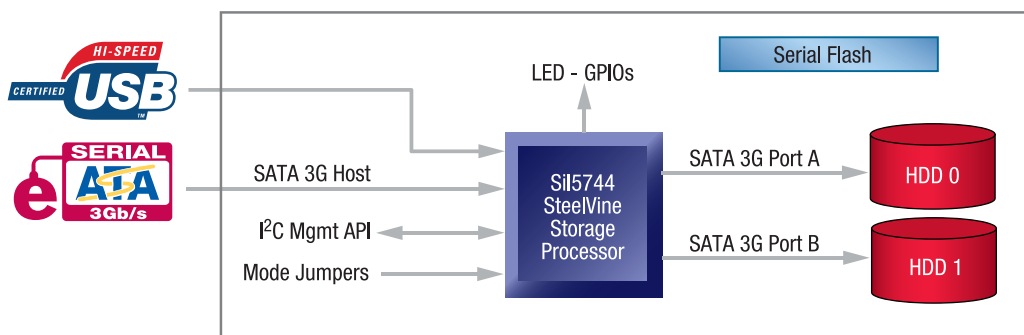
- Storage appliances
- CE storage devices
- External storage enclosures

### Key Features

- eSATA and USB 2.0 host ports
- eSATA capacity expansion
- Drive locking
- Backup button
- RAID modes: FAST (RAID 0), SAFE (RAID 1), BIG (Concatenation), SAFE50 & SAFE33, JBOD



### Si5744 System Diagram



# Sil5744 Features

## eSATA-Based Capacity Expansion

With eSATA-based Capacity Expansion, the capacity of a Sil5744 enabled appliance can be easily expanded either by adding additional drives directly to the chip, or by adding additional SteelVine enabled devices in a cascaded topology. These additional drives or devices will dynamically appear (in BIG, SAFE33 or SAFE50) to the host system as increased storage capacity in the existing SteelVine volume.

### Serial ATA Host Interface Features

- Serial ATA Gen2m compliance
- eSATA and 2-meter cable support
- 3 Gbps (auto-negotiates to 1.5 Gbps)
- Compatible with PM aware and non-PM aware hosts
- Allows multiple drives to be accessed by non-PM aware drive hosts
- Supports NCQ

### USB Host Interface Features

- Complies with USB 2.0 specification
- 480 Mb/s (can auto-negotiate to 12 Mb/s)
- Compatible with OHCI / UHCI / EHCI hosts
- Supports up to four LUNs
- Supports Mass Storage Class

### Device Interface Features

- Serial ATA Gen2m compliance
- eSATA and 2-meter cable support
- 3 Gbps (auto-negotiates to 1.5 Gbps)
- Independent 8KB FIFO / Port
- Power management capabilities
- Supports hot plug
- Supports ATAPI & asynchronous notification

### Electrical Specifications

- GPIO pins: 9 GPI, 6 GPO
- 3.3V IO Supply, 1.8V Core Supply
- 1.02 watts (typical)

### Environmental

- Operating temperature: 0°C to 70°C
- Operating relative humidity: 5% to 80%
- Non-operating relative humidity: 5% to 95%

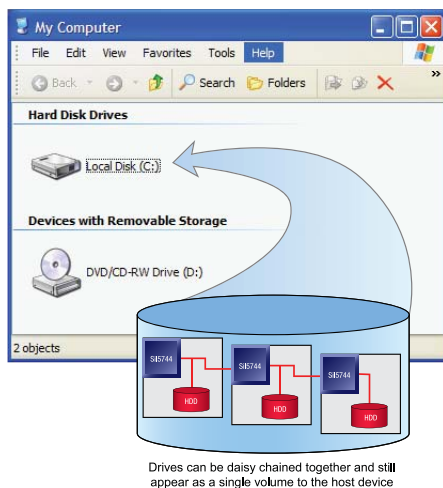
### Physical Specifications

- 88-pin QFN, 10mm x 10mm

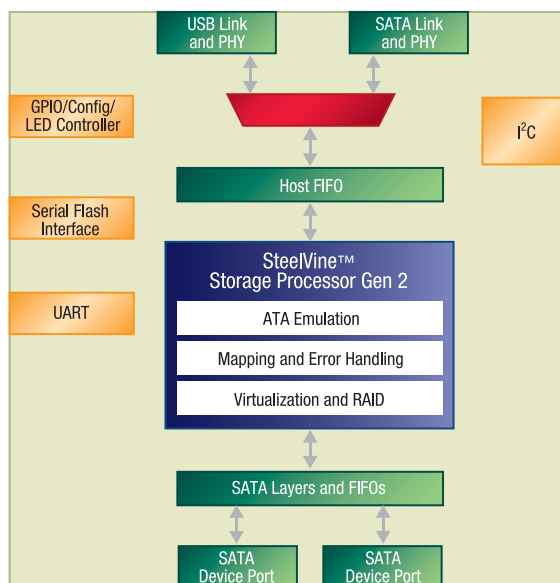
### Additional SteelVine features

- No driver, BIOS or software required
- User API interface through I<sup>2</sup>C
- No drive reformatting on RAID change
- Email Notification
- Optional XML API
- RAID 1 drive racing
- Optional SteelVine Manager GUI
- Mandatory SMART commands available
- SAFE later

Capacity Expansion Diagram



Block Diagram



Silicon Image, Inc.

1060 E. Arques Avenue  
Sunnyvale, CA 94085

T 408.616.4000  
F 408.830.9530

[www.siliconimage.com](http://www.siliconimage.com)

Simply Stored. Connected. Beautiful.

© 2006 Silicon Image, Inc. All rights reserved. Silicon Image, the Silicon Image logo, SteelVine, the SteelVine logo, Sil and Sil5744 are trademarks or registered trademarks of Silicon Image, Inc. in the United States and other countries. Other trademarks are property of their respective holders. Product specifications are subject to change without notice.