

Infrared LED

L2204/L2402/L3458 series

4-pin plastic package, infrared LED



Features

- High radiant output power
- High reliability
- Long life

Applications

- Optical switches
- Automatic control systems

■ Absolute maximum ratings (Ta=25 °C)

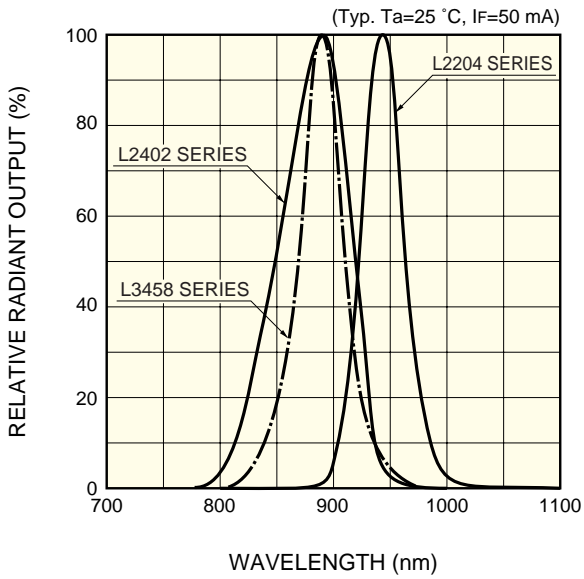
Parameter	Symbol	Condition	Value	Unit
Forward current	IF		65	mA
Reverse voltage	VR		5	V
Pulse forward current	IFP	Pulse width=10 μs Duty ratio=1 %	1.0	A
Operating temperature	Topr		-25 to +85	°C
Storage temperature	Tstg		-30 to +100	°C

■ Electrical and optical characteristics (Ta=25 °C)

Parameter	Symbol	Condition	L2204/-01/-03			L2402/-01/-02			L3458/-01/-03			Unit
			Min.	Typ.	Max.	Min.	Typ.	Max.	Min.	Typ.	Max.	
Peak emission wavelength	λ_p	IF=50 mA	920	945	970	870	890	920	870	890	920	nm
Spectral half width	$\Delta\lambda$	IF=50 mA	-	45	-	-	80	-	-	50	-	nm
Forward voltage	VF	IF=50 mA	-	1.30	1.40	-	1.40	1.50	-	1.40	1.60	V
Pulse forward voltage	VFP	IF=1 A *1	-	2.3	2.6	-	2.8	3.4	-	3.0	3.6	V
Reverse current	IR	VR=5 V	-	-	5	-	-	5	-	-	5	μA
Radiant flux	ϕ_e	IF=50 mA	4.0	6.0	-	7.0	9.0	-	9.0	13.0	-	mW
Radiant illuminance	PE	IF=50 mA	-	0.5	-	-	0.8	-	-	1.0	-	mW/cm ²
Rise time	tr	IF=50 mA, 10 to 90 %	-	1.2	2.0	-	0.45	0.7	-	0.45	0.7	μs
Fall time	tf	IF=50 mA, 90 to 10 %	-	1.3	2.0	-	0.45	0.7	-	0.45	0.7	μs

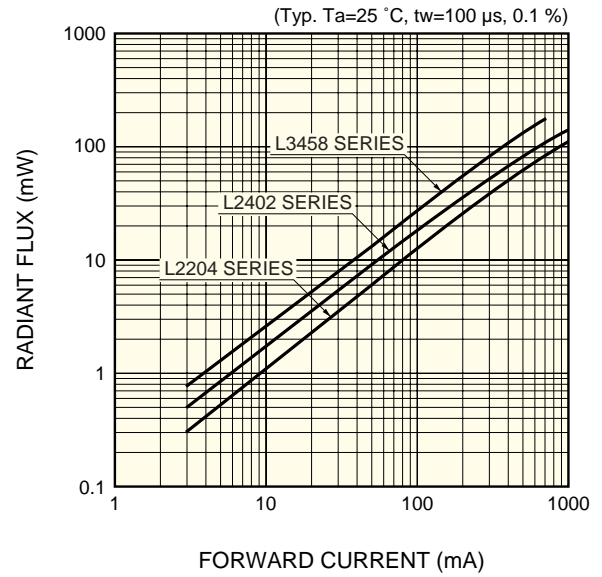
*1: Pulse width 100 μs, duty ratio 0.1 %

■ Emission spectrum



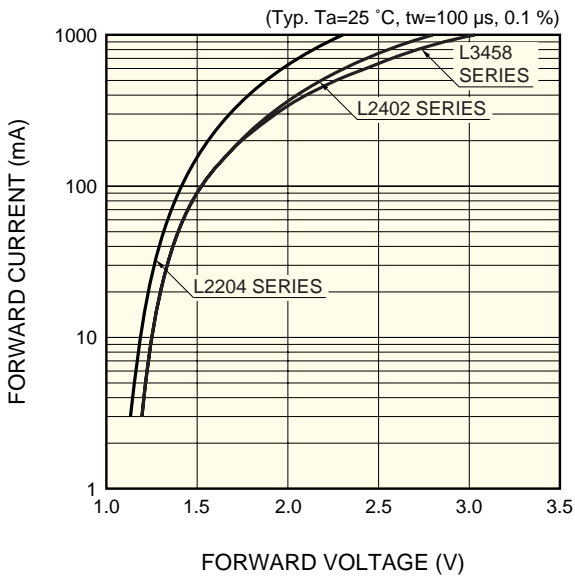
KLEDB0202EA

■ Radiant flux vs. forward current



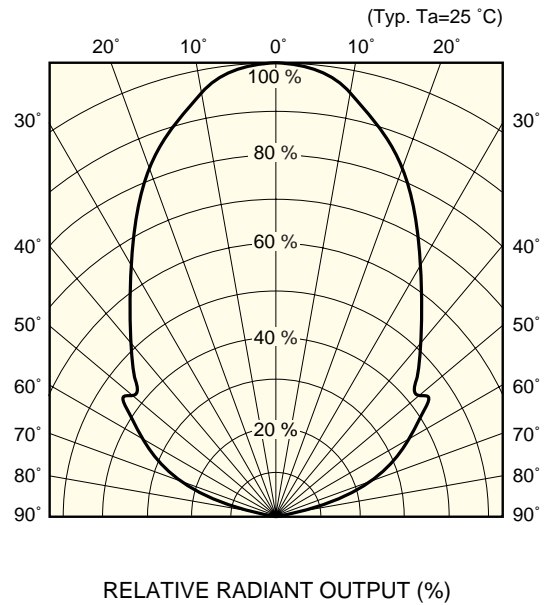
KLEDB0203EA

■ Forward current vs. forward voltage



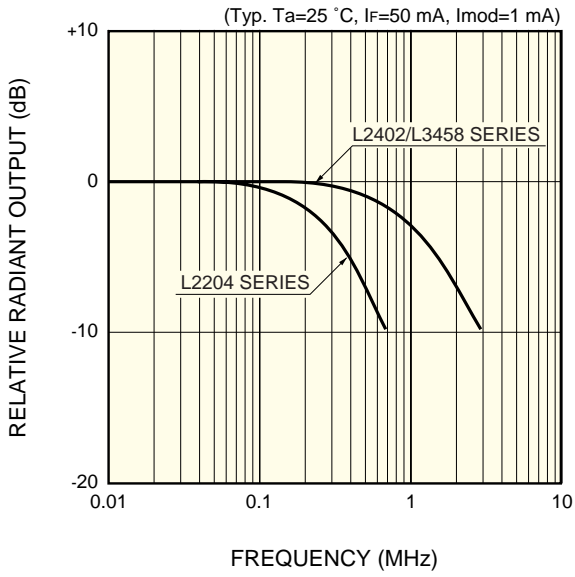
KLEDB0204EB

■ Directivity



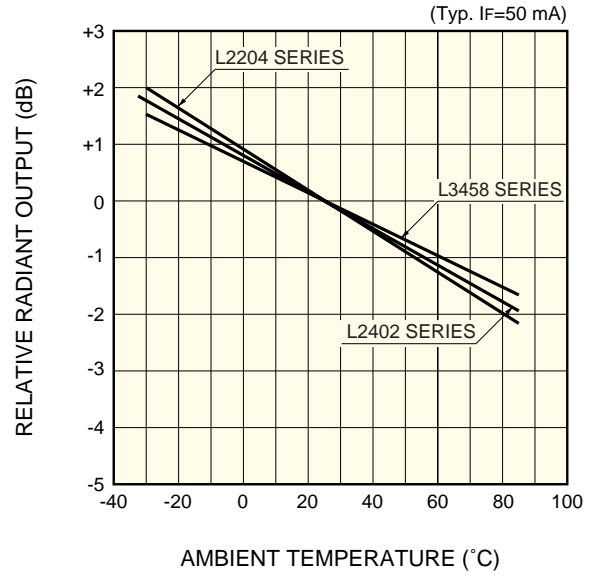
KLEDB0205EA

■ Frequency response



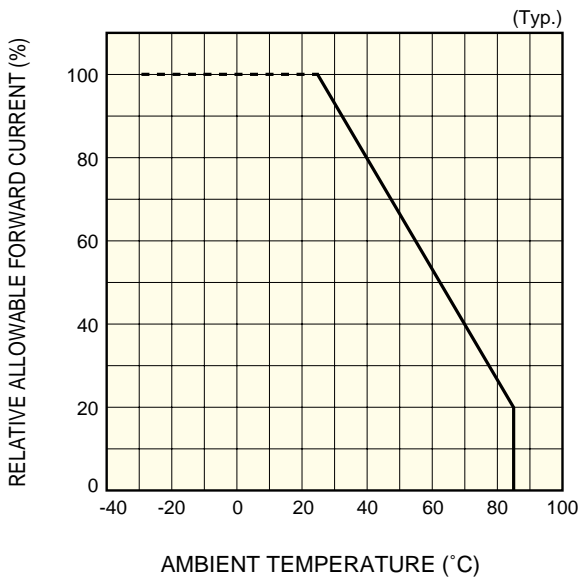
KLEDB0206EA

■ Radiant output vs. ambient temperature



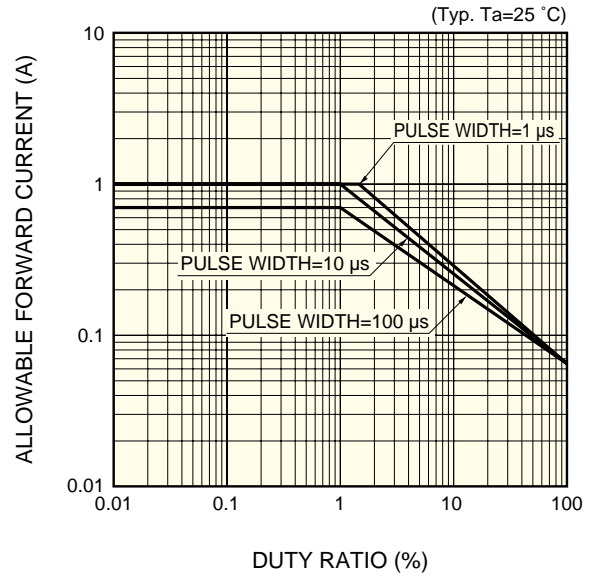
KLEDB0207EA

■ Allowable forward current vs. ambient temperature



KLEDB0027EB

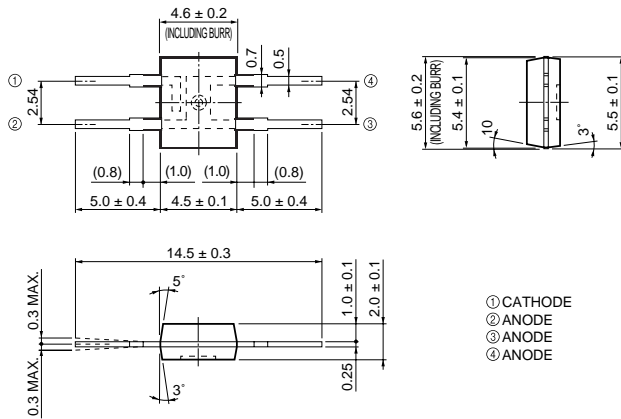
■ Allowable forward current vs. duty ratio



KLEDB0208EA

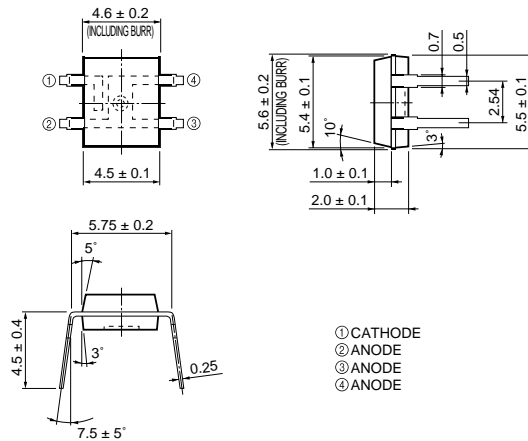
■ Dimensional outlines (unit: mm)

L2204, L2402, L3458



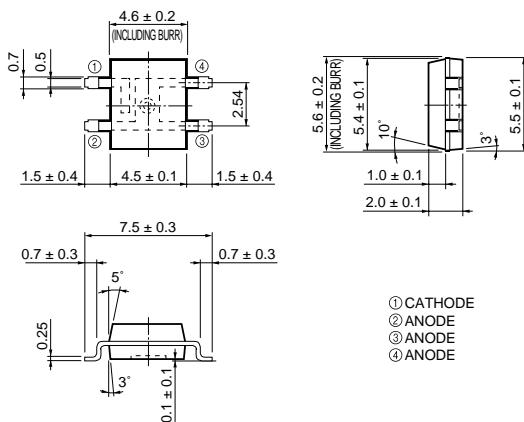
KLEDA0016EB

L2204-01, L2402-01, L3458-01



KLEDA0017EB

L2204-03, L2402-02, L3458-03



KLEDA0054EB

HAMAMATSU Information furnished by HAMAMATSU is believed to be reliable. However, no responsibility is assumed for possible inaccuracies or omissions.

Specifications are subject to change without notice. No patent rights are granted to any of the circuits described herein. ©2005 Hamamatsu Photonics K.K.

HAMAMATSU PHOTONICS K.K., Solid State Division

1126-1 Ichino-cho, Higashi-ku, Hamamatsu City, 435-8558 Japan, Telephone: (81) 53-434-3311, Fax: (81) 53-434-5184, <http://www.hamamatsu.com>

U.S.A.: Hamamatsu Corporation, 360 Foothill Road, P.O.Box 6910, Bridgewater, N.J. 08807-0910, U.S.A., Telephone: (1) 908-231-0960, Fax: (1) 908-231-1218

Germany: Hamamatsu Photonics Deutschland GmbH, Arzbergerstr. 10, D-82211 Herrsching am Ammersee, Germany, Telephone: (49) 08152-3750, Fax: (49) 08152-2658

France: Hamamatsu Photonics France S.A.R.L.: 19, Rue du Saule Trépu, Parc du Moulin de Massy, 91882 Massy Cedex, France, Telephone: 33-(1) 69 53 71 00, Fax: 33-(1) 69 53 71 10

United Kingdom: Hamamatsu Photonics UK Limited, 2 Howard Court, 10 Tewin Road, Welwyn Garden City, Hertfordshire AL7 1BW, United Kingdom, Telephone: (44) 1707-294888, Fax: (44) 1707-325777

North Europe: Hamamatsu Photonics Norden AB, Smidsvågen 12, SE-171 41 Solna, Sweden, Telephone: (46) 8-509-031-00, Fax: (46) 8-509-031-01

Italy: Hamamatsu Photonics Italia S.R.L.: Strada della Moia, 1/E, 20020 Arese, (Milano), Italy, Telephone: (39) 02-935-81-733, Fax: (39) 02-935-81-741