

TOSHIBA Transistor Silicon NPN Epitaxial Planar Type

2SC5087

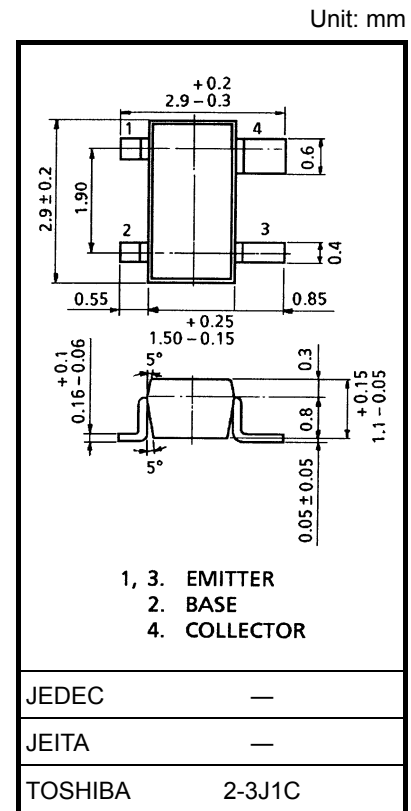
VHF~UHF Band Low Noise Amplifier Applications

- Low noise figure, high gain.
- $NF = 1.1\text{dB}$, $|S_{21e}|^2 = 13\text{dB}$ ($f = 1\text{GHz}$)

Absolute Maximum Ratings ($T_a = 25^\circ\text{C}$)

Characteristics	Symbol	Rating	Unit
Collector-base voltage	V_{CBO}	20	V
Collector-emitter voltage	V_{CEO}	12	V
Emitter-base voltage	V_{EBO}	3	V
Base current	I_B	40	mA
Collector current	I_C	80	mA
Collector power dissipation	P_C	150	mW
Junction temperature	T_j	125	$^\circ\text{C}$
Storage temperature range	T_{stg}	-55~125	$^\circ\text{C}$

Note: Using continuously under heavy loads (e.g. the application of high temperature/current/voltage and the significant change in temperature, etc.) may cause this product to decrease in the reliability significantly even if the operating conditions (i.e. operating temperature/current/voltage, etc.) are within the absolute maximum ratings.
Please design the appropriate reliability upon reviewing the Toshiba Semiconductor Reliability Handbook ("Handling Precautions"/"Derating Concept and Methods") and individual reliability data (i.e. reliability test report and estimated failure rate, etc).



Weight: 0.012 g (typ.)

Microwave Characteristics ($T_a = 25^\circ\text{C}$)

Characteristics	Symbol	Test Condition	Min	Typ.	Max	Unit
Transition frequency	f_T	$V_{CE} = 10\text{V}$, $I_C = 20\text{mA}$	5	7	—	GHz
Insertion gain	$ S_{21e} ^2$ (1)	$V_{CE} = 10\text{V}$, $I_C = 20\text{mA}$, $f = 500\text{MHz}$	—	18	—	dB
	$ S_{21e} ^2$ (2)	$V_{CE} = 10\text{V}$, $I_C = 20\text{mA}$, $f = 1\text{GHz}$	9.5	13	—	
Noise figure	NF (1)	$V_{CE} = 10\text{V}$, $I_C = 5\text{mA}$, $f = 500\text{MHz}$	—	1	—	dB
	NF (2)	$V_{CE} = 10\text{V}$, $I_C = 5\text{mA}$, $f = 1\text{GHz}$	—	1.1	2	

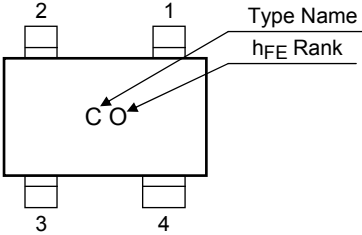
Electrical Characteristics ($T_a = 25^\circ\text{C}$)

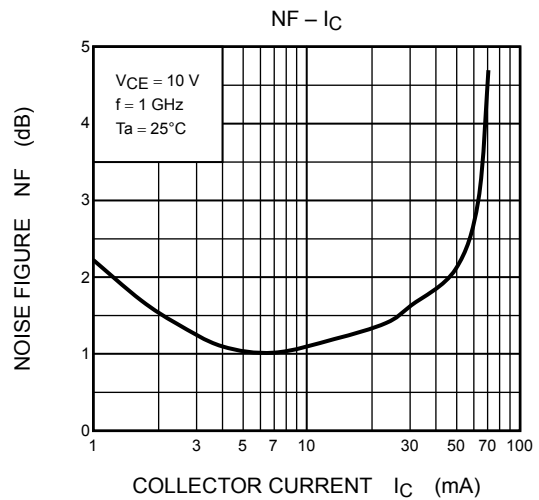
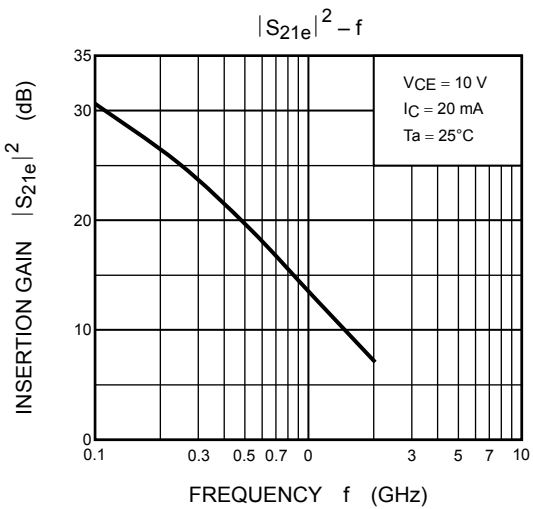
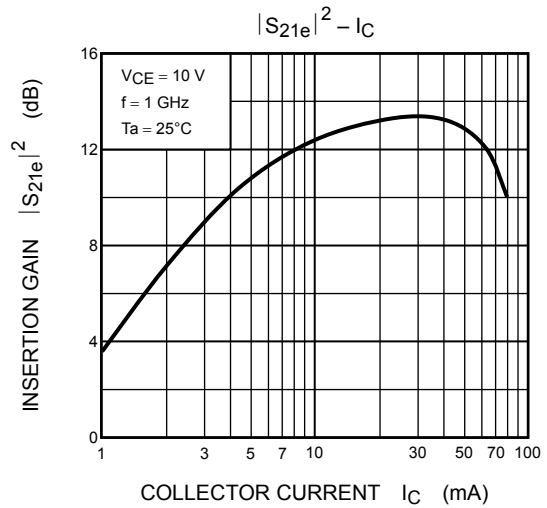
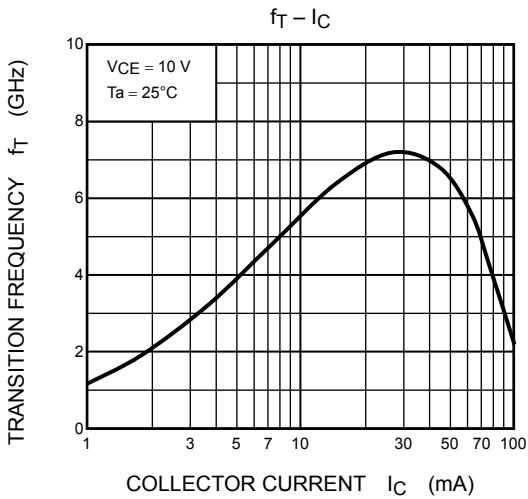
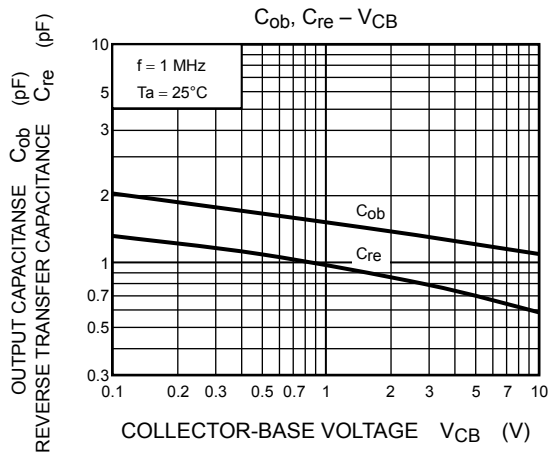
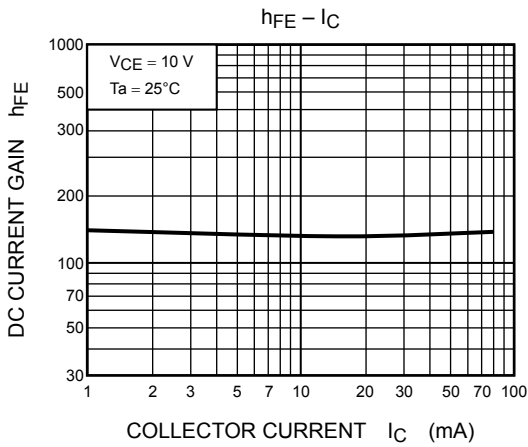
Characteristics	Symbol	Test Condition	Min	Typ.	Max	Unit
Collector cut-off current	I_{CBO}	$V_{CB} = 10\text{V}$, $I_E = 0$	—	—	1	μA
Emitter cut-off current	I_{EBO}	$V_{EB} = 1\text{V}$, $I_C = 0$	—	—	1	μA
DC current gain	h_{FE} (Note 1)	$V_{CE} = 10\text{V}$, $I_C = 20\text{mA}$	80	—	240	
Output capacitance	C_{ob}	$V_{CB} = 10\text{V}$, $I_E = 0$, $f = 1\text{MHz}$ (Note 2)	—	1.1	1.6	pF
Reverse transfer capacitance	C_{re}		—	0.65	1.05	pF

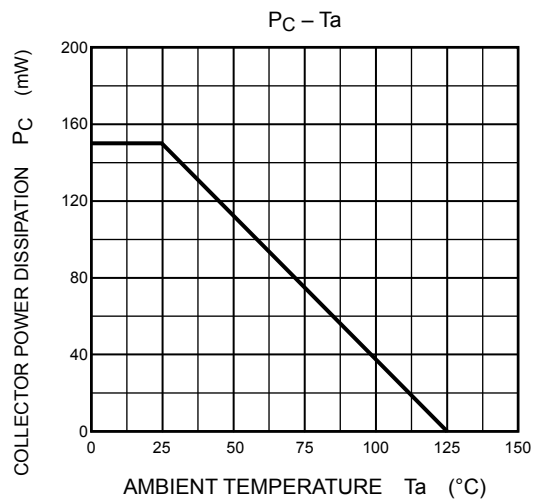
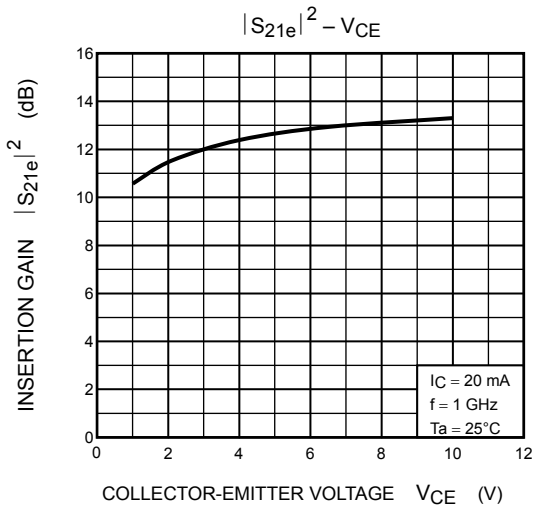
Note 1: h_{FE} classification O: 80~160, Y: 120~240

Note 2: C_{re} is measured by 3 terminal method with capacitance bridge.

Marking







S-Parameter $Z_O = 50 \Omega$, $T_a = 25^\circ\text{C}$

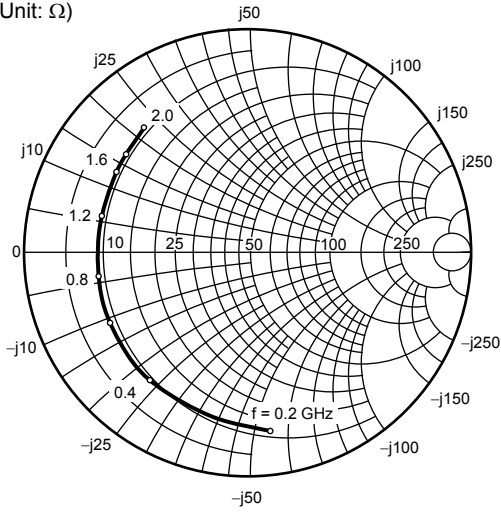
$V_{CE} = 10$ V, $I_C = 5$ mA

Frequency MHz	S11		S21		S12		S22	
	Mag.	Ang.	Mag.	Ang.	Mag.	Ang.	Mag.	Ang.
200	0.793	-82.4	11.923	133.4	0.050	52.7	0.788	-36.4
400	0.736	-128.0	7.835	108.5	0.066	38.0	0.584	-53.4
600	0.719	-152.1	5.578	94.5	0.071	34.1	0.490	-63.5
800	0.701	-168.6	4.279	84.4	0.073	33.9	0.445	-72.2
1000	0.698	178.9	3.451	76.6	0.074	36.7	0.424	-80.5
1200	0.697	168.3	2.855	69.9	0.076	40.8	0.413	-88.9
1400	0.699	159.4	2.440	64.0	0.078	46.6	0.404	-97.3
1600	0.703	150.8	2.121	59.3	0.084	52.5	0.401	-105.4
1800	0.713	142.9	1.876	54.5	0.091	58.3	0.398	-112.6
2000	0.722	134.7	1.681	50.3	0.100	63.5	0.398	-119.6

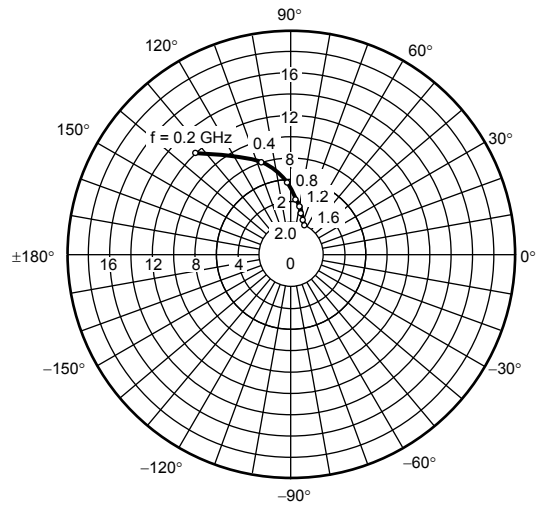
$V_{CE} = 10$ V, $I_C = 20$ mA

Frequency MHz	S11		S21		S12		S22	
	Mag.	Ang.	Mag.	Ang.	Mag.	Ang.	Mag.	Ang.
200	0.655	-129.4	20.724	113.2	0.031	48.0	0.496	-59.6
400	0.650	-161.5	11.288	95.5	0.040	50.4	0.319	-74.1
600	0.660	-176.3	7.643	86.4	0.049	56.4	0.263	-83.5
800	0.666	172.8	5.758	79.6	0.059	60.0	0.242	-92.9
1000	0.667	164.0	4.605	74.2	0.070	63.6	0.233	-102.0
1200	0.668	156.8	3.809	69.3	0.080	65.9	0.229	-111.0
1400	0.677	148.4	3.277	65.1	0.091	68.2	0.226	-119.1
1600	0.676	141.1	2.862	61.2	0.104	70.0	0.223	-126.5
1800	0.688	133.9	2.559	57.5	0.117	71.2	0.220	-132.4
2000	0.690	126.7	2.303	54.1	0.131	72.4	0.217	-137.8

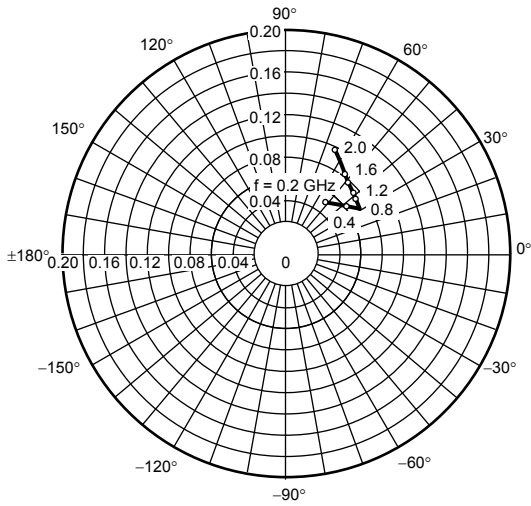
S_{11e}
 V_{CE} = 10 V
 I_C = 5 mA
 T_a = 25°C
 (Unit: Ω)



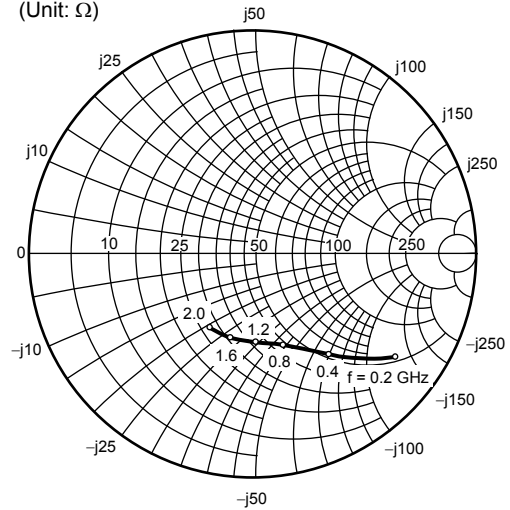
S_{21e}
 V_{CE} = 10 V
 I_C = 5 mA
 T_a = 25°C



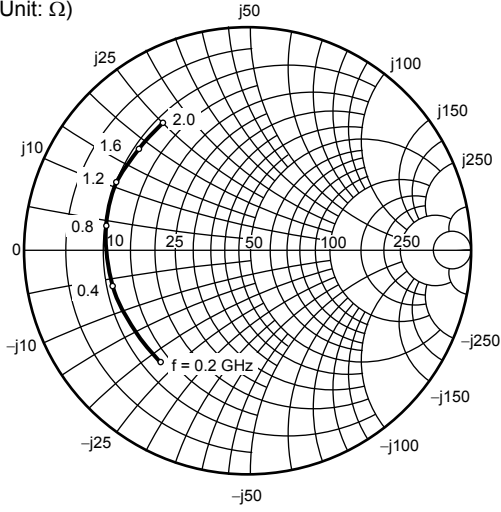
S_{12e}
 V_{CE} = 10 V
 I_C = 5 mA
 T_a = 25°C



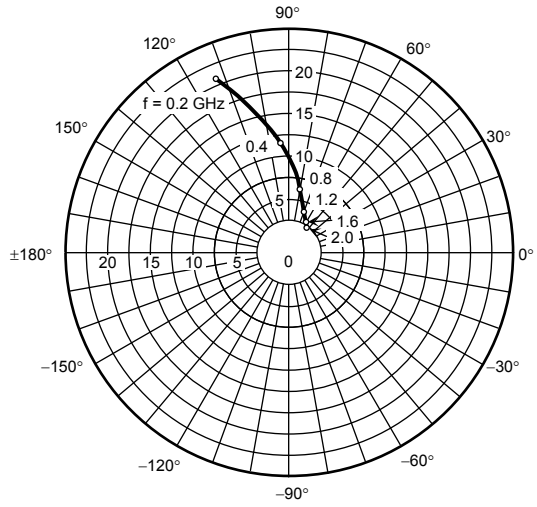
S_{22e}
 V_{CE} = 10 V
 I_C = 5 mA
 T_a = 25°C
 (Unit: Ω)



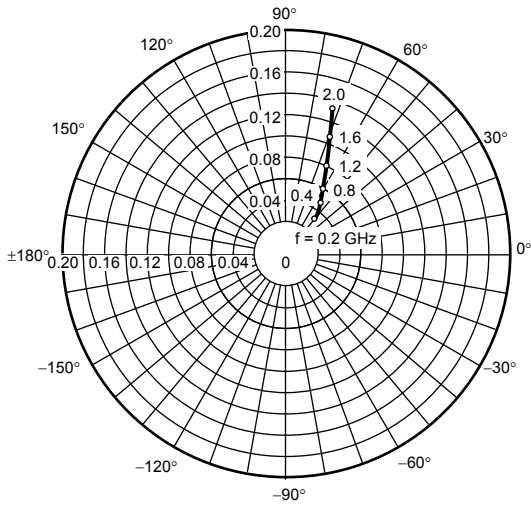
S11e
 $V_{CE} = 10\text{ V}$
 $I_C = 20\text{ mA}$
 $T_a = 25^\circ\text{C}$
 (Unit: Ω)



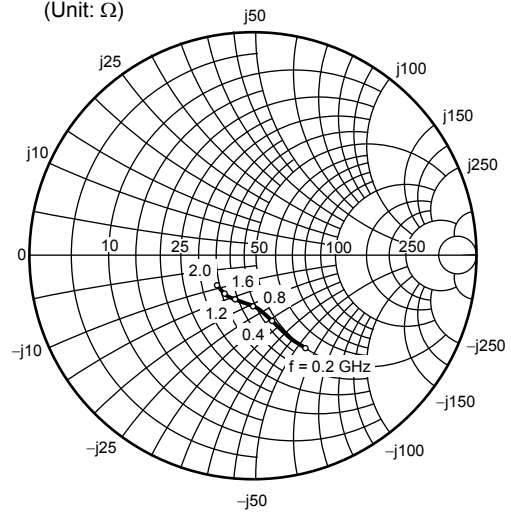
S21e
 $V_{CE} = 10\text{ V}$
 $I_C = 20\text{ mA}$
 $T_a = 25^\circ\text{C}$



S12e
 $V_{CE} = 10\text{ V}$
 $I_C = 20\text{ mA}$
 $T_a = 25^\circ\text{C}$



S22e
 $V_{CE} = 10\text{ V}$
 $I_C = 20\text{ mA}$
 $T_a = 25^\circ\text{C}$
 (Unit: Ω)



RESTRICTIONS ON PRODUCT USE

20070701-EN GENERAL

- The information contained herein is subject to change without notice.
- TOSHIBA is continually working to improve the quality and reliability of its products. Nevertheless, semiconductor devices in general can malfunction or fail due to their inherent electrical sensitivity and vulnerability to physical stress. It is the responsibility of the buyer, when utilizing TOSHIBA products, to comply with the standards of safety in making a safe design for the entire system, and to avoid situations in which a malfunction or failure of such TOSHIBA products could cause loss of human life, bodily injury or damage to property.
In developing your designs, please ensure that TOSHIBA products are used within specified operating ranges as set forth in the most recent TOSHIBA products specifications. Also, please keep in mind the precautions and conditions set forth in the "Handling Guide for Semiconductor Devices," or "TOSHIBA Semiconductor Reliability Handbook" etc.
- The TOSHIBA products listed in this document are intended for usage in general electronics applications (computer, personal equipment, office equipment, measuring equipment, industrial robotics, domestic appliances, etc.). These TOSHIBA products are neither intended nor warranted for usage in equipment that requires extraordinarily high quality and/or reliability or a malfunction or failure of which may cause loss of human life or bodily injury ("Unintended Usage"). Unintended Usage include atomic energy control instruments, airplane or spaceship instruments, transportation instruments, traffic signal instruments, combustion control instruments, medical instruments, all types of safety devices, etc.. Unintended Usage of TOSHIBA products listed in this document shall be made at the customer's own risk.
- The products described in this document shall not be used or embedded to any downstream products of which manufacture, use and/or sale are prohibited under any applicable laws and regulations.
- The information contained herein is presented only as a guide for the applications of our products. No responsibility is assumed by TOSHIBA for any infringements of patents or other rights of the third parties which may result from its use. No license is granted by implication or otherwise under any patents or other rights of TOSHIBA or the third parties.
- Please contact your sales representative for product-by-product details in this document regarding RoHS compatibility. Please use these products in this document in compliance with all applicable laws and regulations that regulate the inclusion or use of controlled substances. Toshiba assumes no liability for damage or losses occurring as a result of noncompliance with applicable laws and regulations.