



# AKD5366VR-A

## AK5366VR Evaluation Board Rev.1

**GENERAL DESCRIPTION**

AKD5366VR-A is an evaluation board for the digital audio 24bit 48kHz A/D converter, AK5366VR. The AKD5366VR-A includes the input circuit and also has a digital interface transmitter. Further, the AKD5366VR-A can achieve the interface with digital audio systems via opt-connector.

■ **Ordering guide**

AKD5366VR-A --- AK5366VR Evaluation Board  
 (Cable for connecting with printer port of IBM-AT, compatible PC and control software are packed with this.)

**FUNCTION**

- **DIT with optical output**
- **BNC connector for an external clock input**
- **10pin Header for serial control mode**

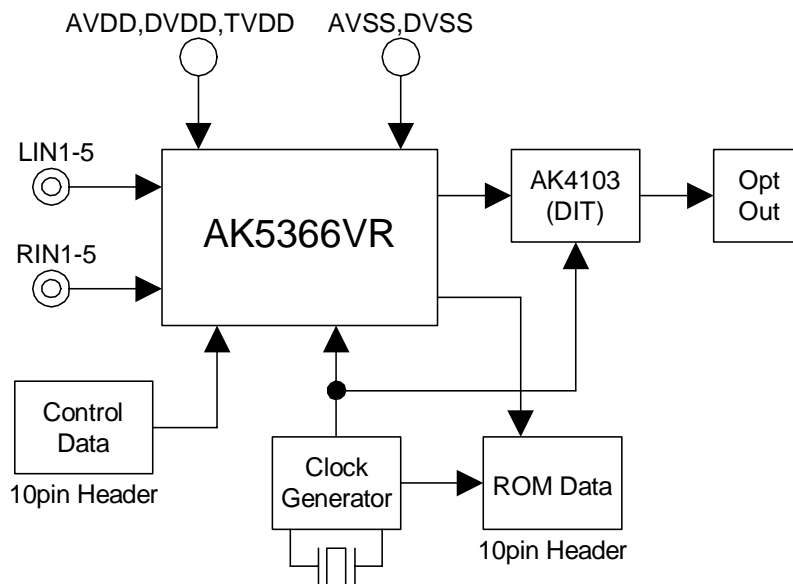


Figure 1. AKD5366VR-A Block Diagram

\* Circuit diagram and PCB layout are attached at the end of this manual.

## Evaluation Board Manual

### ■ Operation sequence

1) Set up the power supply lines.

[AVDD]	(Red)	= 4.75 ~ 5.25V (typ. 5.0V, for AVDD, TVDD of AK5366VR)
[TVDD]	(Orange)	= 3.0 ~ 5.25V (typ. 3.3V, for DVDD of AK5366VR)
[D3V]	(Orange)	= 3.0 ~ 5.25V (typ. 3.3V, for VCC of 74LVC541)
[VCC]	(Red)	= 5V (for VCC of logic circuit of digital part)
[AGND]	(Black)	= 0V (for analog ground)
[DGND]	(Black)	= 0V (for logic ground)

Each supply line should be distributed from the power supply unit.  
D3V and TVDD must be same voltage level.

2) Set up the evaluation mode, jumper pins and DIP switches. (See the followings.)

3) Power on.

The AK5366VR and AK4103 should be reset once bringing SW2 = "L" upon power-up.

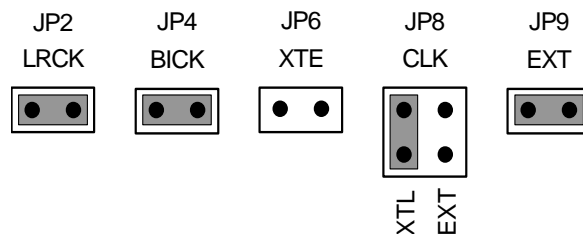
### ■ Evaluation mode

(1) Slave Mode

When evaluating the AK5366VR using the AK4103, the setting of the AK5366VR's audio interface format should be the same as the AK4103's format. The DIF setting of the AK5366VR (No.1 of SW1 (I2C) in parallel mode, DIF bit in serial mode) should be the same as the DIF setting of the AK4103 (No.1 of SW3). About the AK5366VR's audio interface format, refer to AK5366VR's datasheet. About the AK4103's audio interface format, see Table3.

(1-1) A/D evaluation using DIT function of AK4103

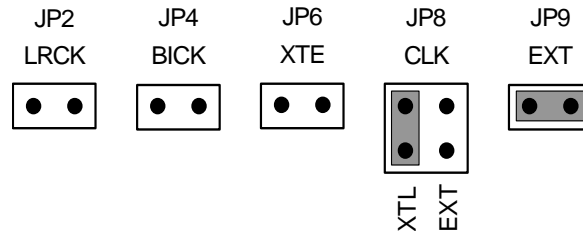
PORT1 (DIT) is used. DIT generates audio bi-phase signal from received data and which is output through optical connector (TOTX176). It is possible to connect AKM's D/A converter evaluation boards on the digital-amplifier which equips DIR input. Nothing should be connected to PORT2 (ROM). In case of using external clock through a BNC connector (J13), select EXT on JP8 (CLK) and short JP6 (XTE) and open JP9 (EXT).



## (2) Master Mode

## (2-1) A/D evaluation using DIT function of AK4103

PORT1 (DIT) is used. DIT generates audio bi-phase signal from received data and which is output through optical connector (TOTX176). It is possible to connect AKM's D/A converter evaluation boards on the digital-amplifier which equips DIR input. Nothing should be connected to PORT2 (ROM). In case of using external clock through a BNC connector (J13), select EXT on JP8 (CLK) and short JP6 (XTE) and open JP9 (EXT).



### ■ Other jumper pins set up

- (1) JP1 (GND): Analog ground and Digital ground  
 OPEN: Separated.  
 SHORT: Common. (The connector "DGND" can be open.) <Default>
- (2) JP3 (M/S): Select Master/Slave mode for AK5366VR  
 SLAVE: Slave mode <Default>  
 MASTER: Master mode
- (3) JP5 (TVDD): Select DVDD for AK5366VR  
 REG: Supply from regulator  
 TVDD: Supply from TVDD connector <Default>
- (4) JP7 (MCLK): MCLK Frequency for 74HC4040  
 256: MCLK is 256fs. (=12.288MHz@fs=48kHz) <Default>  
 512: MCLK is 512fs. (=24.576MHz@fs=48kHz)

## ■ DIP Switch set up

[SW1] (MODE1): Setting the evaluation mode for AK5366VR  
ON is “H”, OFF is “L”. Default is all “L”.

No.	Name	OFF (“L”)	ON (“H”)
1	I2C	3-wire Control	I2C Control
2	CAD0	Fixed to “L”	
3	CAD1	Fixed to “L”	
4	DIF	Fixed to “L”	
5	SEL2	See Table 2	
6	SEL1		
7	SEL0		
8	ALC	Fixed to “L”	

Table 1. Mode Setting of AK5366VR

SEL2	SEL1	SEL0	Input Selector	Default
OFF	OFF	OFF	LIN1 / RIN1	
OFF	OFF	ON	LIN2 / RIN2	
OFF	ON	OFF	LIN3 / RIN3	
OFF	ON	ON	LIN4 / RIN4	
ON	OFF	OFF	LIN5 / RIN5	

Table 2. Input Selector

[SW3] (MODE2): Setting the evaluation mode for AK4103  
ON is “H”, OFF is “L”. Default is all “L”.

No.	Name	OFF (“L”)	ON (“H”)
1	DIF	24bit, MSB justified	24bit, I <sup>2</sup> S Compatible
2	CKS1	See Table 4	
3	CKS0		

Table 3. Mode Setting of AK4103

Mode	CKS1	CKS0	MCLK	fs	Default
0	OFF	OFF	256fs	~ 96kHz	
1	OFF	ON	N/A	N/A	
2	ON	OFF	512fs	~ 48kHz	
3	ON	ON	384fs	~ 48kHz	

Table 4. MCLK Frequency Setting of AK4103

## ■ The function of the toggle SW

Upper-side is “H” and lower-side is “L”.

[SW2] (PDN): Power down reset of AK5366VR and AK4103. This should be brought to “L” once upon power-up. Keep “H” during normal operation.

[SW4] (SMUTE): Soft mute of AK5366VR. This should be brought to “H” during soft mute.

■ Serial Control

The AKD5366VR-A can be controlled via the printer port (parallel port) of IBM-AT compatible PC. Connect PORT3 (CTRL) with PC by 10-line flat cable packed with the AKD5366VR-A. The control software packed with this evaluation board does not support I<sup>2</sup>C control.

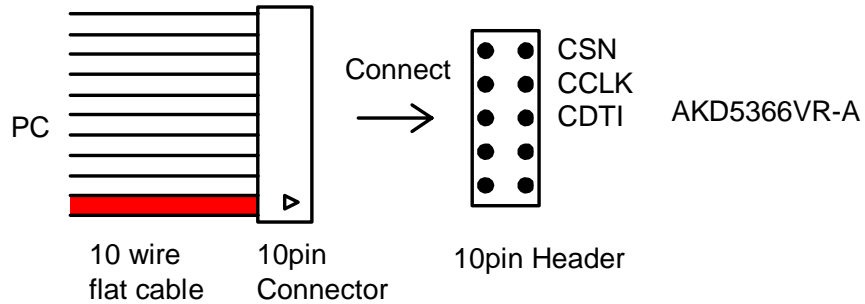


Figure 2. Connect of 10-line flat cable

■ Analog Input/Output Circuits

(1) Input Circuit

Analog inputs of AK5366VR are input to J2 (LIN1), J1 (RIN1), J5 (LIN2), J4 (RIN2), J8 (LIN3), J7 (RIN3), J10 (LIN4), J9 (RIN4), J12 (LIN5) and J11 (RIN5).

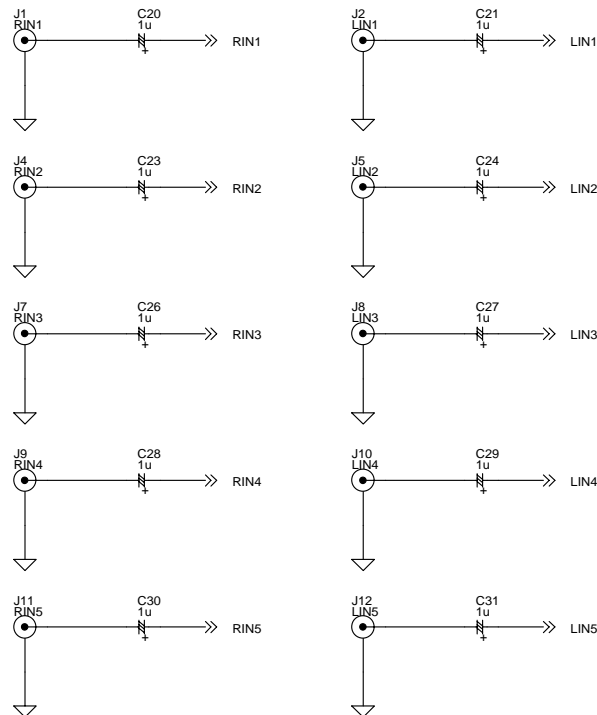


Figure 3. LIN1-5/RIN1-5 Input circuits

The cut-off frequency of the input circuit on this evaluation board is as below. When changing the cut-off frequency, change the constant of the each resistor and capacitor.

- (1) The cut-off frequency of HPF in front of the Pre-Amp:  $f_c = 3.4\text{Hz}$  ( $R = 47\text{k}\Omega$ ,  $C = 1\mu\text{F}$ )
- (2) The cut-off frequency of HPF, which is composed by the input resistance of the IPGAL/R pins and the capacitor of between the Pre-Amp output and the IPGA input:  $f_c = 3.4\text{Hz}$ . ( $R = 10\text{k}\Omega$ ,  $C = 4.7\mu\text{F}$ )

(2) Output Circuit

Pre-Amp outputs of AK5366VR are output to J3 (LOUT) and J6 (ROUT).

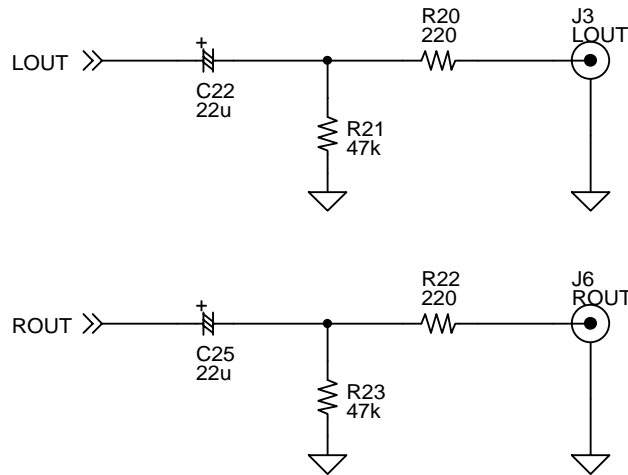


Figure 4. LOUT/ROUT Output circuits

\* AKM assumes no responsibility for the trouble when using the circuit examples.

<b>Control Software Manual</b>
--------------------------------

### ■ Set-up of evaluation board and control software

1. Set up the AKD5366VR-A according to the "Evaluation Board Manual".
2. Connect IBM-AT compatible PC with AKD5366VR-A by 10-line type flat cable (packed with AKD5366VR-A).  
Take care of the direction of 10pin header. (Please install the driver in the CD-ROM when this control software is used on Windows 2000/XP. Please refer "Installation Manual of Control Software Driver by AKM device control software". In case of Windows95/98/ME, this installation is not needed. This control software does not operate on Windows NT.)
3. Insert the CD-ROM labeled "AKD5366VR-A Evaluation Kit" into the CD-ROM drive.
4. Access the CD-ROM drive and double-click the icon of "akd5366vr-a.exe" to set up the control program.
5. Please evaluate according to the following.

### ■ Operation flow

Keep the following flow.

1. Set up the control program according to explanation above.
2. Click "Port Reset" button.

### ■ Explanation of each buttons

1. [Port Reset]: Set up the USB interface board (AKDUSBIF-A).
2. [Write default]: Initialize the register of AK5366VR.
3. [All Write]: Write all registers that is currently displayed.
4. [Function1]: Dialog to write data by keyboard operation.
5. [Function2]: Dialog to write data by keyboard operation.
6. [Function3]: The sequence of register setting can be set and executed.
7. [Function4]: The sequence that is created on [Function3] can be assigned to buttons and executed.
8. [Function5]: The register setting that is created by [SAVE] function on main window can be assigned to buttons and executed.
9. [SAVE]: Save the current register setting.
10. [OPEN]: Write the saved values to all register.
11. [Write]: Dialog to write data by mouse operation.

### ■ Indication of data

Input data is indicated on the register map. Red letter indicates "H" or "1" and blue one indicates "L" or "0". Blank is the part that is not defined in the datasheet.

## ■ Explanation of each dialog

### 1. [Write Dialog]: Dialog to write data by mouse operation

There are dialogs corresponding to each register.

Click the [Write] button corresponding to each register to set up the dialog. If you check the check box, data becomes "H" or "L". If not, "0" or "1".

If you want to write the input data to AK5366VR, click [OK] button. If not, click [Cancel] button.

### 2. [Function1 Dialog]: Dialog to write data by keyboard operation

Address Box: Input registers address in 2 figures of hexadecimal.

Data Box: Input registers data in 2 figures of hexadecimal.

If you want to write the input data to AK5366VR, click [OK] button. If not, click [Cancel] button.

### 3. [Function2 Dialog]: Dialog to evaluate IPGA, DATT

This is a dialog corresponding to address: 04H, 05H, 08H, and 09H.

Address Box: Input registers address in 2 figures of hexadecimal.

Start Data Box: Input starts data in 2 figures of hexadecimal.

End Data Box: Input end data in 2 figures of hexadecimal.

Interval Box: Data is written to AK5366VR by this interval.

Step Box: Data changes by this step.

Mode Select Box:

\*If you check this check box, data reaches end data, and returns to start data.

[Example] Start Data = 00, End Data = 09

Data flow: 00 01 02 03 04 05 06 07 08 09 09 08 07 06 05 04 03 02 01 00

\*If you do not check this check box, data reaches end data, but does not return to start data.

[Example] Start Data = 00, End Data = 09

Data flow: 00 01 02 03 04 05 06 07 08 09

If you want to write the input data to AK5366VR, click [OK] button. If not, click [Cancel] button.



## **4. [Save] and [Open]**

### **4-1. [Save]**

Save the current register setting data. The extension of file name is “akr”.

(Operation flow)

- (1) Click [Save] Button.
- (2) Set the file name and push [Save] Button. The extension of file name is “akr”.

### **4-2. [Open]**

The register setting data saved by [Save] is written to AK5366VR. The file type is the same as [Save].

(Operation flow)

- (1) Click [Open] Button.
- (2) Select the file (\*.akr) and Click [Open] Button.

### 5. [Function3 Dialog]

The sequence of register setting can be set and executed.

(1) Click [F3] Button.

(2) Set the control sequence.

Set the address, Data and Interval time. Set “-1” to the address of the step where the sequence should be paused.

(3) Click [Start] button. Then this sequence is executed.

The sequence is paused at the step of Interval="-1". Click [START] button, the sequence restarts from the paused step.

This sequence can be saved and opened by [Save] and [Open] button on the Function3 window. The extension of file name is “aks”.

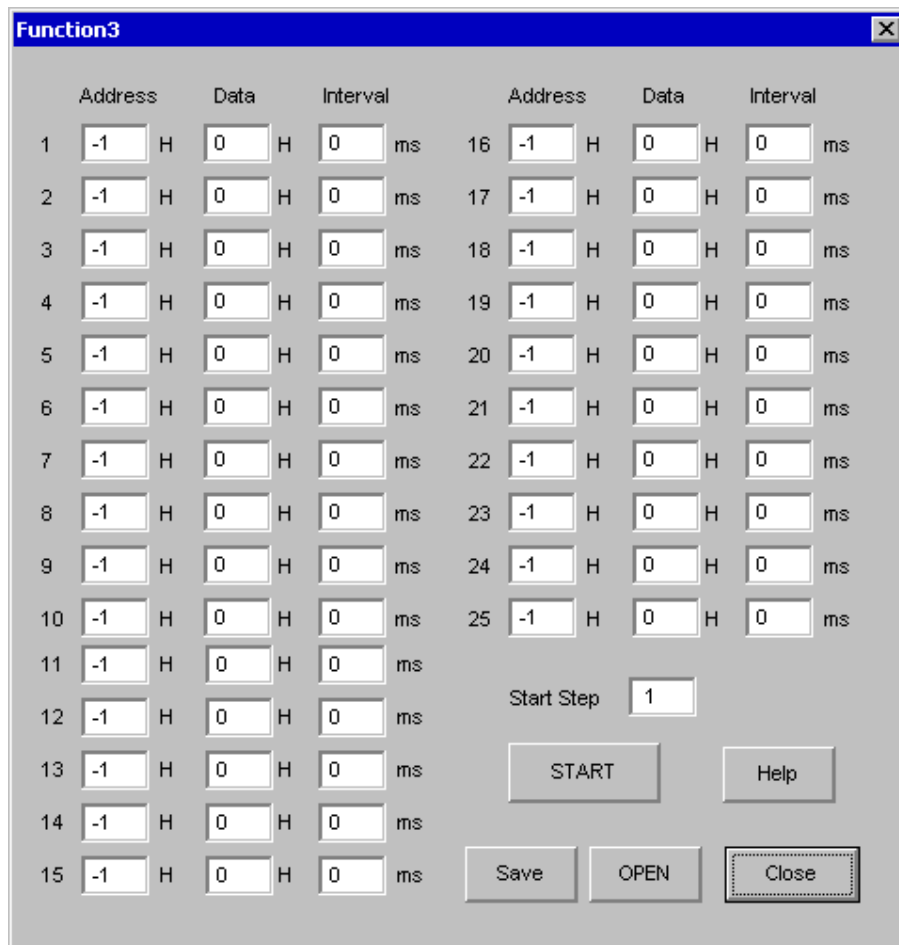


Figure 4. Window of [F3]

### 6. [Function4 Dialog]

The sequence that is created on [Function3] can be assigned to buttons and executed. When [F4] button is clicked, the window as shown in Figure opens.

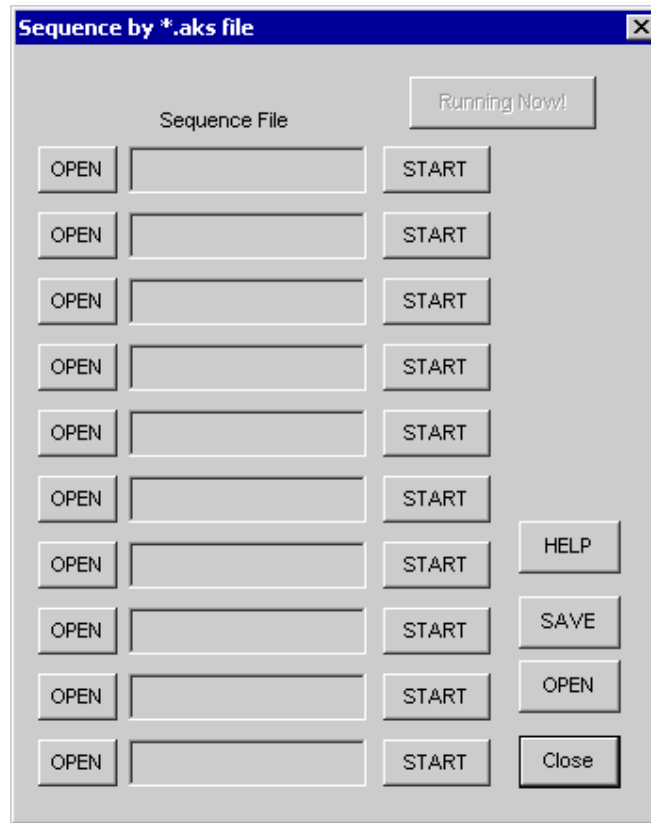


Figure 5. [F4] window

### 6-1. [OPEN] buttons on left side and [START] buttons

(1) Click [OPEN] button and select the sequence file (\*.aks).

The sequence file name is displayed as shown in Figure.

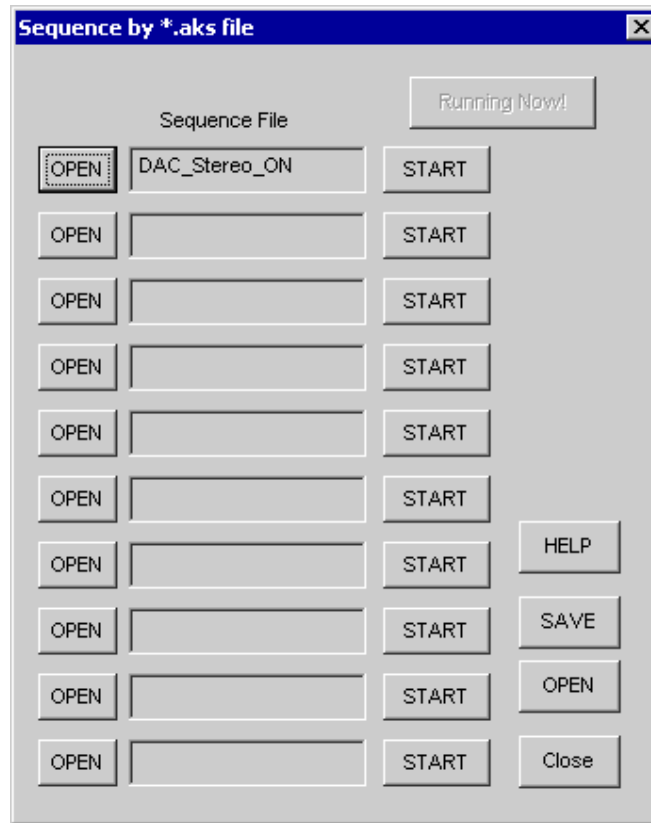


Figure 6. [F4] window (2)

(2) Click [START] button, then the sequence is executed.

### 6-2. [SAVE] and [OPEN] buttons on right side

[SAVE]: The sequence file names can assign be saved. The file name is \*.ak4.

[OPEN]: The sequence file names assign that are saved in \*.ak4 are loaded.

### 6-3. Note

- (1) This function doesn't support the pause function of sequence function.
- (2) All files need to be in same folder used by [SAVE] and [OPEN] function on right side.
- (3) When the sequence is changed in [Function3], the file should be loaded again in order to reflect the change.

## 7. [Function5 Dialog]

The register setting that is created by [SAVE] function on main window can be assigned to buttons and executed. When [F5] button is clicked, the following window as shown in Figure opens.

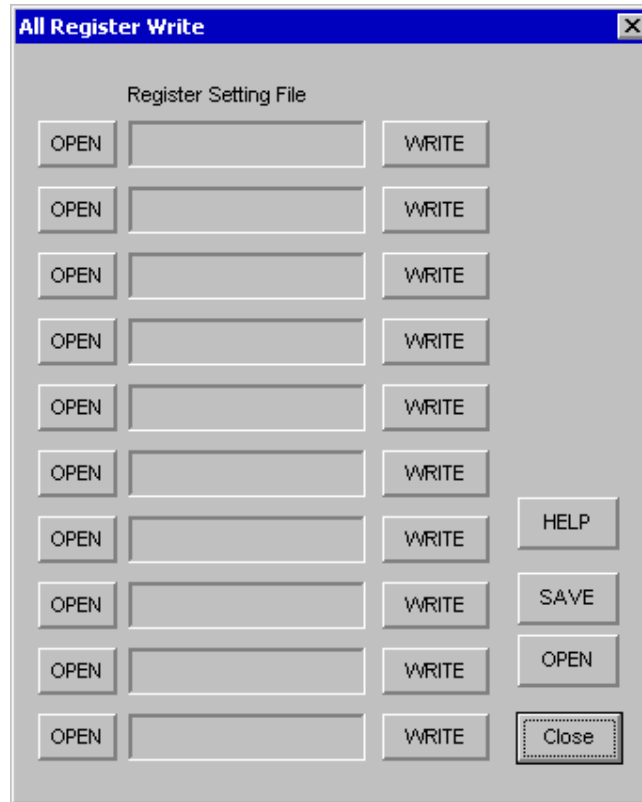


Figure 7. [F5] window

### 7-1. [OPEN] buttons on left side and [WRITE] button

- (1) Click [OPEN] button and select the register setting file (\*.akr).
- (2) Click [WRITE] button, then the register setting is executed.

### 7-2. [SAVE] and [OPEN] buttons on right side

[SAVE]: The register setting file names assign can be saved. The file name is \*.ak5.

[OPEN]: The register setting file names assign that are saved in \*.ak5 are loaded.

### 7-3. Note

- (1) All files need to be in same folder used by [SAVE] and [OPEN] function on right side.
- (2) When the register setting is changed by [Save] Button in main window, the file should be loaded again in order to reflect the change.

**MEASUREMENT RESULTS**

[Measurement condition]

- Measurement unit: Audio Precision, System Two Cascade
- MCLK : 256fs
- BICK : 64fs
- fs : 48kHz
- Bit : 24bit
- Power Supply : AVDD = TVDD = 5.0V, DVDD = 3.3V
- Interface : DIT
- Temperature : Room
- External Condition : Input resistor (Ri) = 47kΩ, Feedback resistor (Rf) = 24kΩ
- IPGA Gain : 0dB

Parameter		Result (Lch / Rch)	Unit
<b>Pre-Amp Characteristics:</b>			
S/(N+D)		102.9 / 102.8	dB
S/N (A-weighted)		107.9 / 107.6	dB
<b>ADC Analog Input Characteristics: LIN1/RIN1 → Pre-Amp → IPGA → ADC, IPGA=0dB, ALC=OFF</b>			
S/(N+D) (-0.5dB Input)	fs=48kHz	92.1 / 92.2	dB
D-Range (-60dB Input)	fs=48kHz, A-weighted	102.1 / 102.1	dB
S/N	fs=48kHz, A-weighted	102.2 / 102.1	dB
Interchannel Isolation		114.4 / 114.9	dB

[ADC Plot: fs=48kHz]

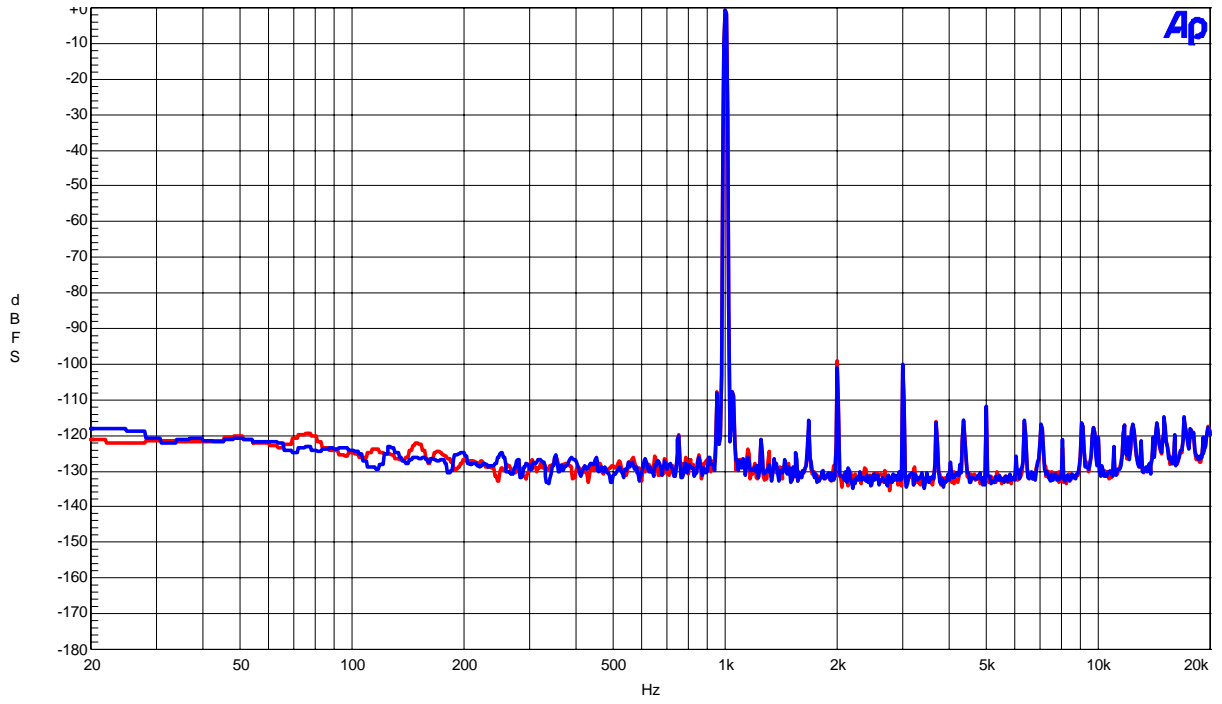


Figure 1. FFT Plot (Input Level = -0.5dB)

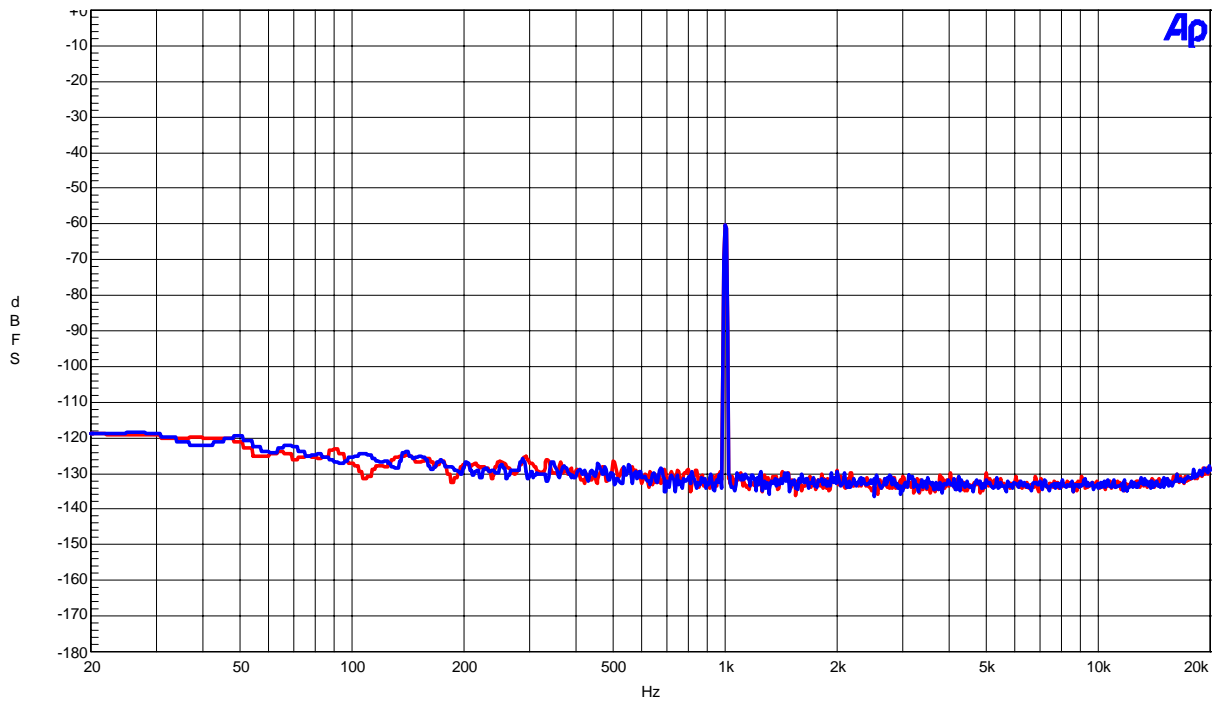


Figure 2. FFT Plot (Input Level = -60dB)

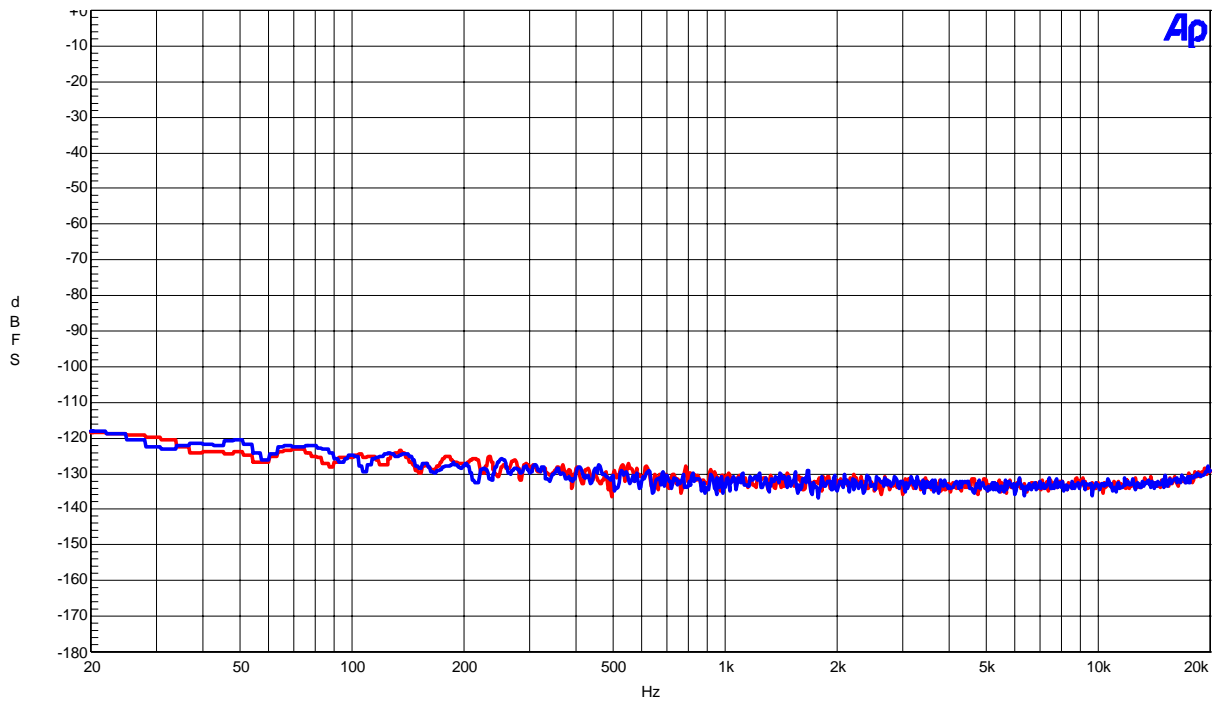


Figure 3. FFT Plot (No Input, Noise Floor)

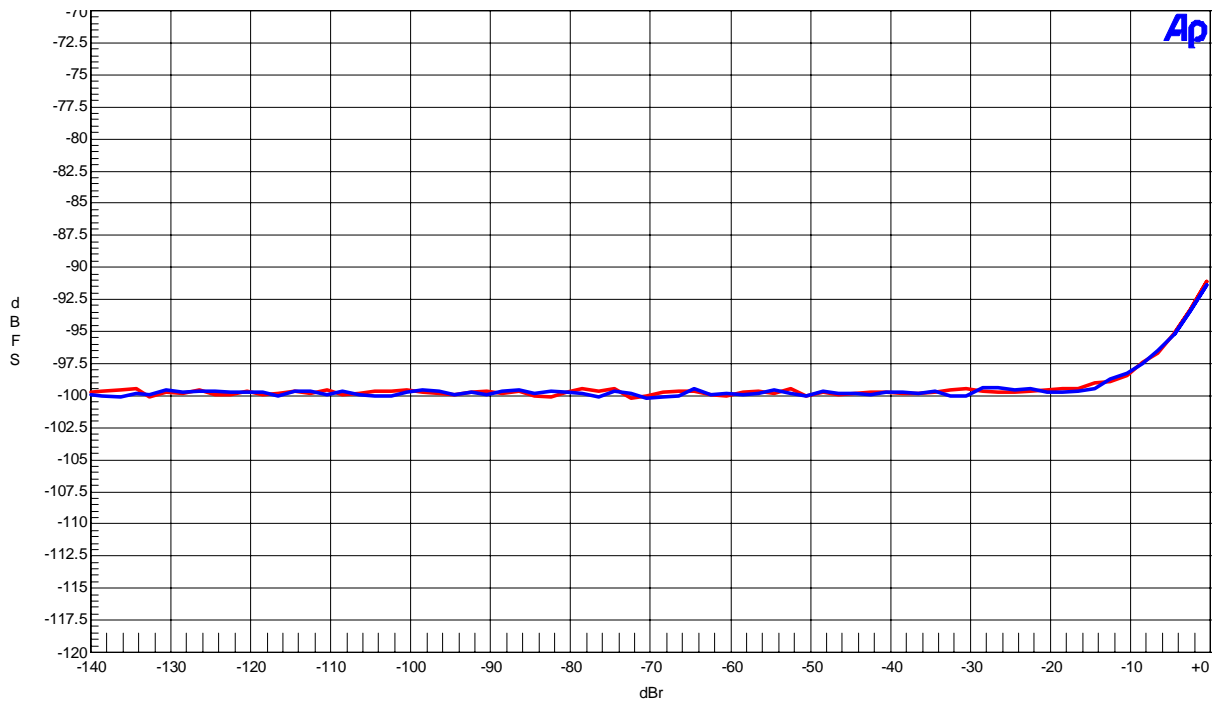


Figure 4. THD+N vs. Input Level



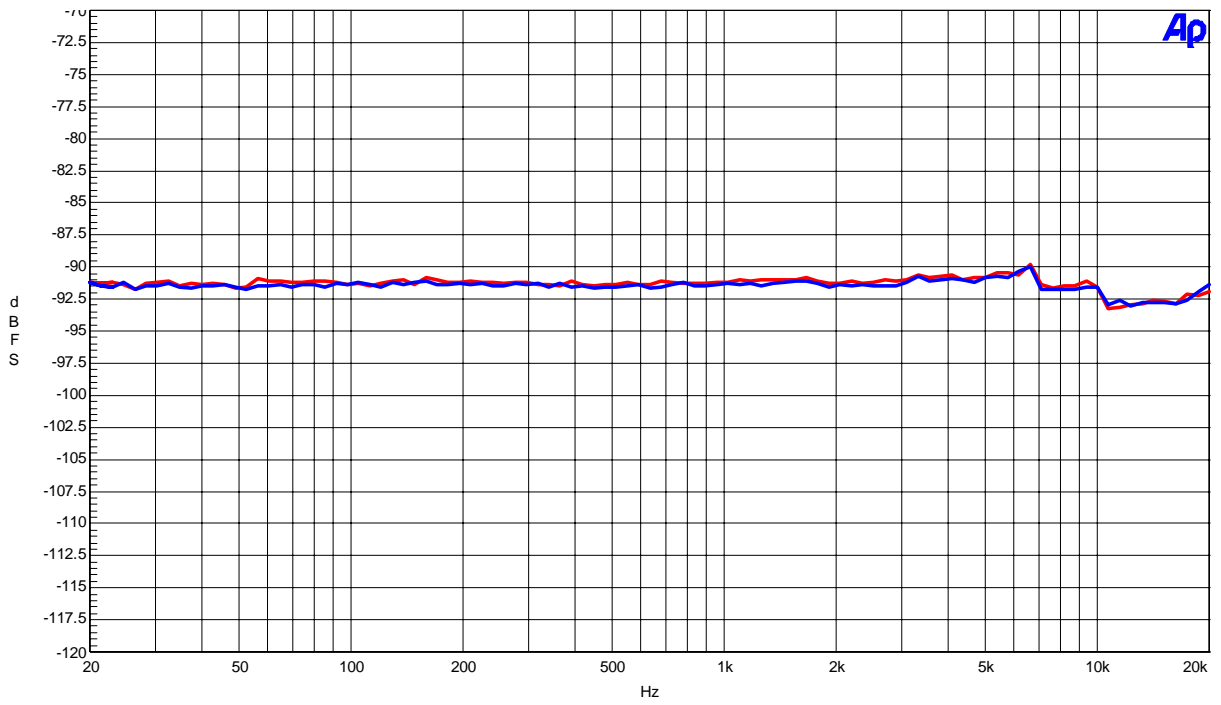


Figure 5. THD+N vs. Input Frequency

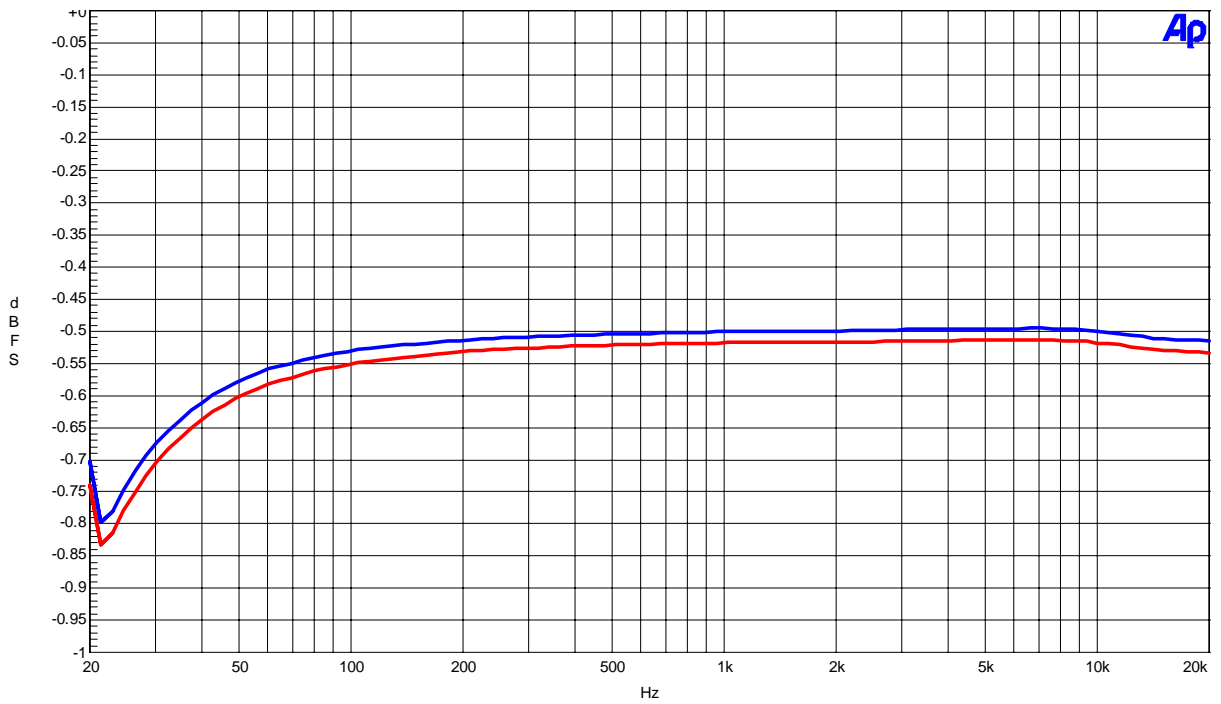


Figure 6. Frequency Response

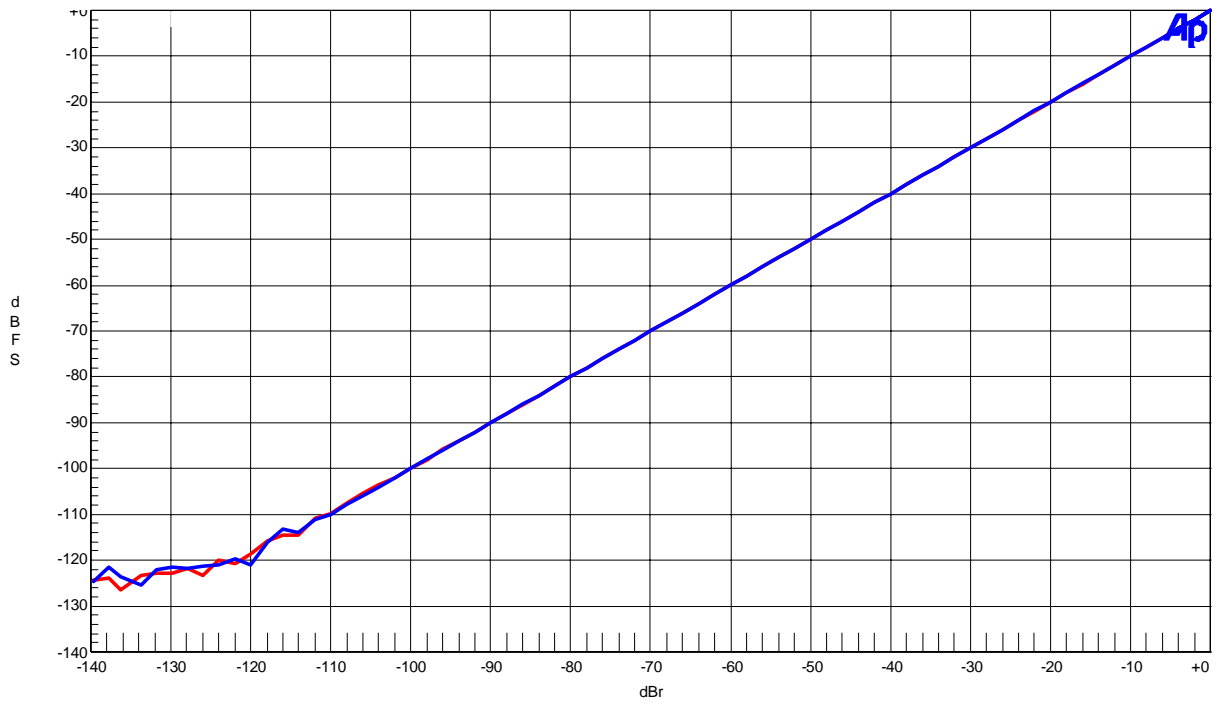


Figure 7. Linearity

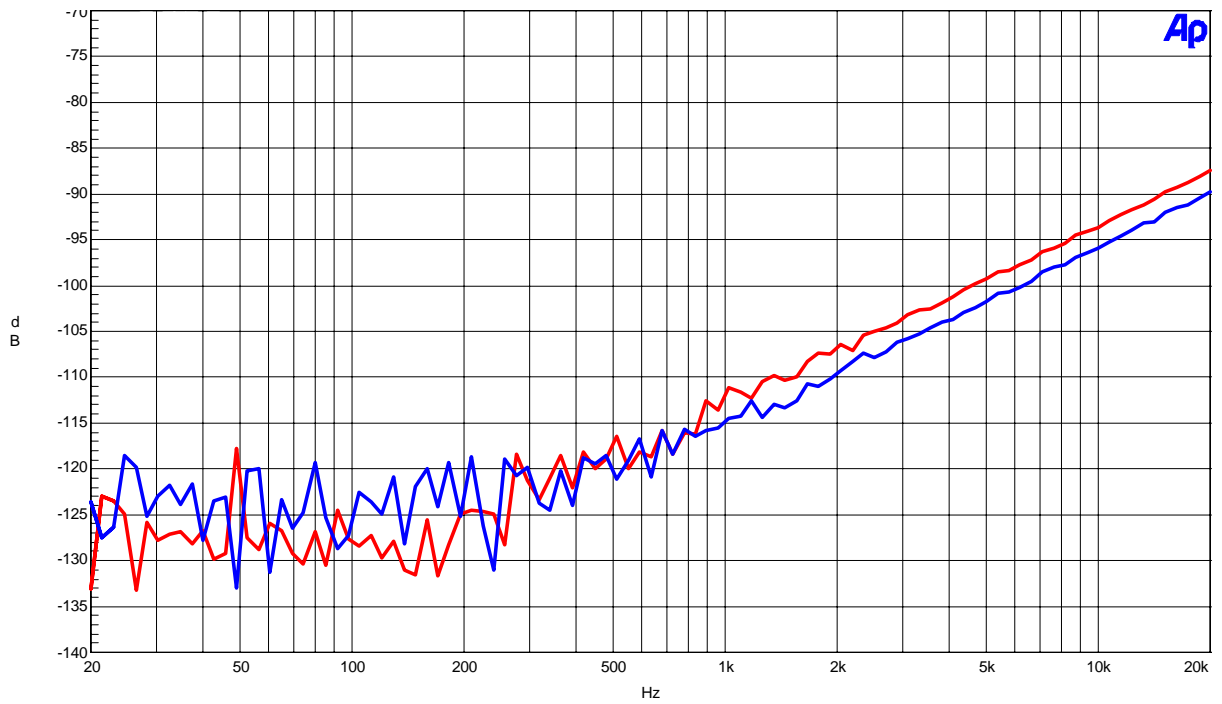
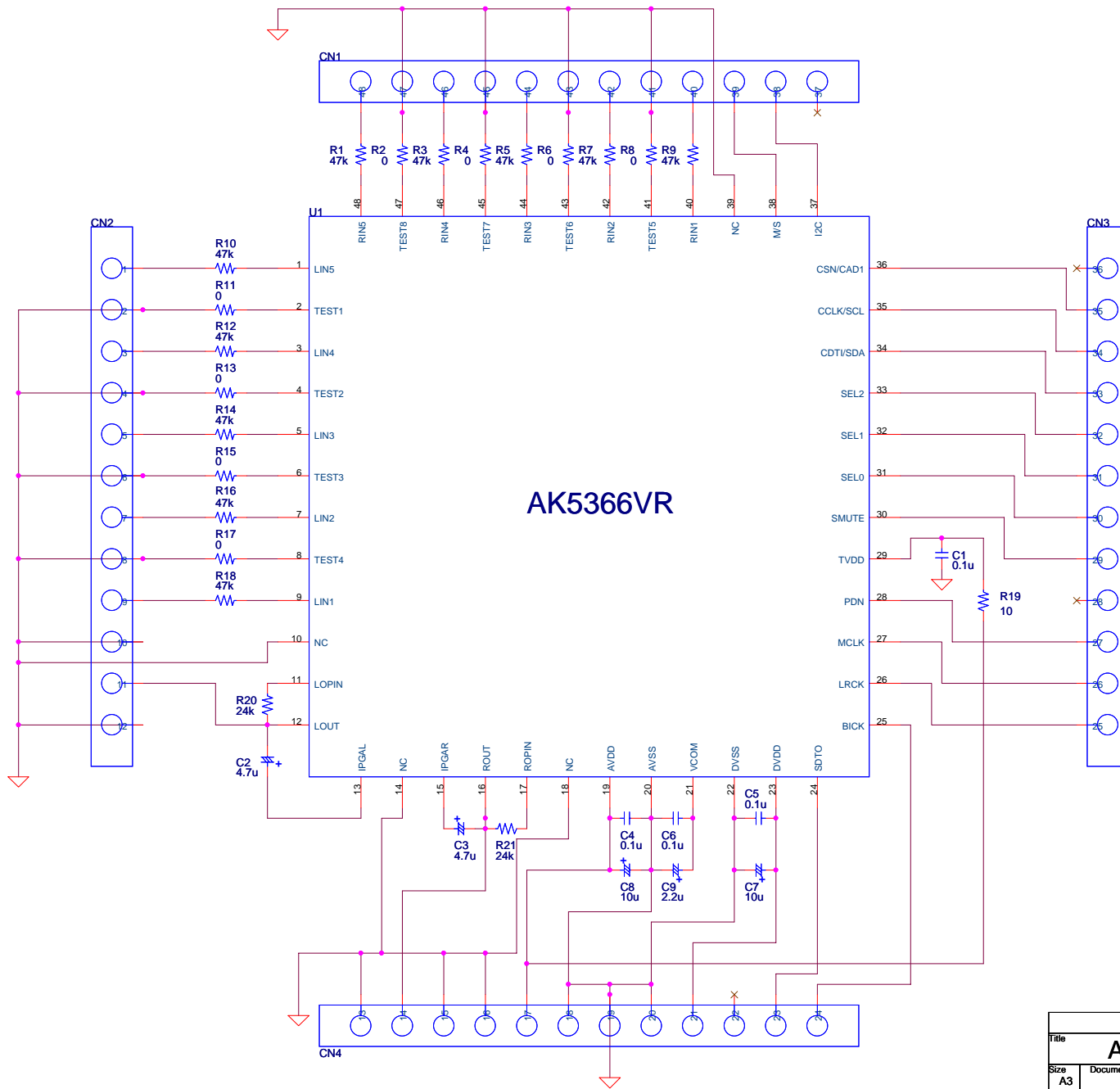


Figure 8. Crosstalk

Revision History				
Date (YY/MM/DD)	Manual Revision	Board Revision	Reason	Coment
06/04/05	KM083700	0	First Edition	
07/03/28	KM083701	1	Circuit Change	Condenser: Capacitance Value Change: C32, C33: Open→5p
			Manual Change	Measurement Result Change: Plot Data Added Control Software Manual Change

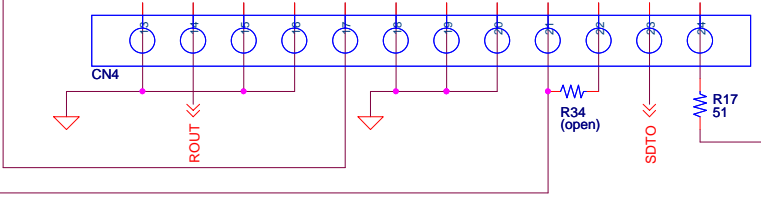
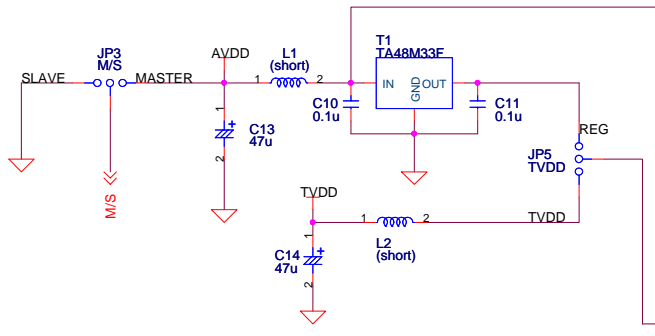
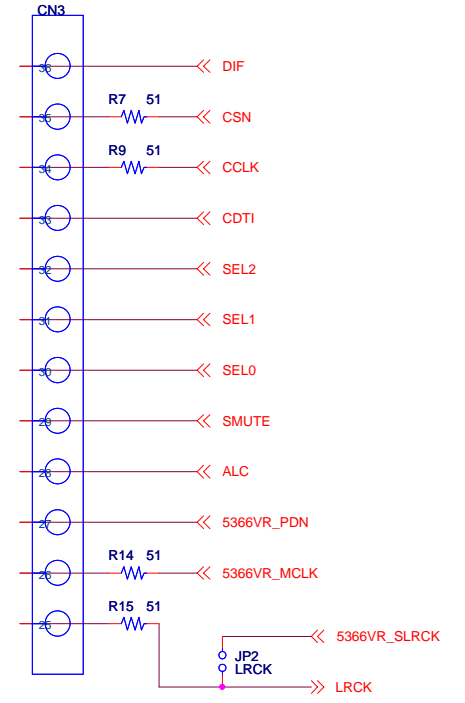
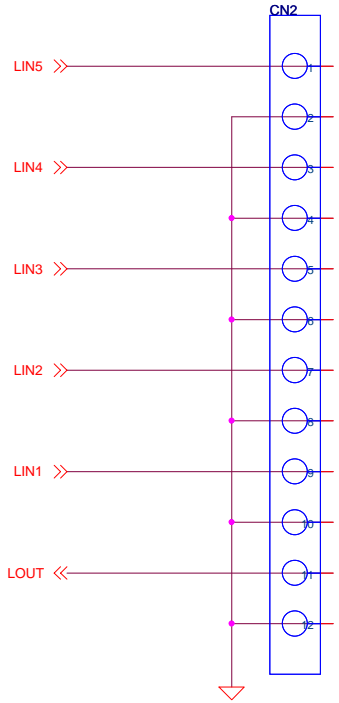
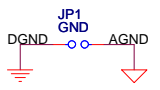
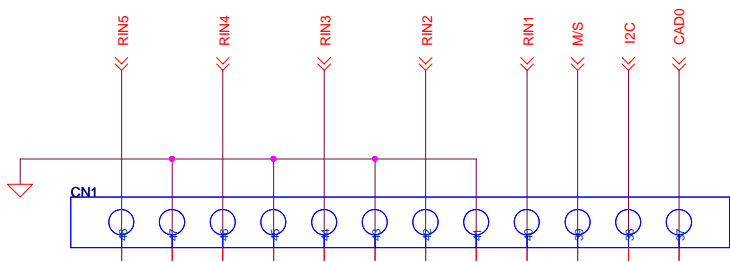
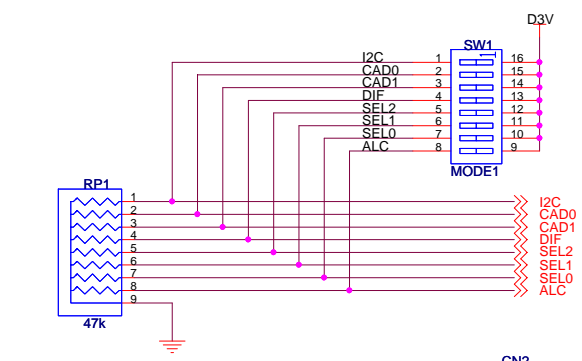
IMPORTANT NOTICE

- These products and their specifications are subject to change without notice. Before considering any use or application, consult the Asahi Kasei Microsystems Co., Ltd. (AKM) sales office or authorized distributor concerning their current status.
- AKM assumes no liability for infringement of any patent, intellectual property, or other right in the application or use of any information contained herein.
- Any export of these products, or devices or systems containing them, may require an export license or other official approval under the law and regulations of the country of export pertaining to customs and tariffs, currency exchange, or strategic materials.
- AKM products are neither intended nor authorized for use as critical components in any safety, life support, or other hazard related device or system, and AKM assumes no responsibility relating to any such use, except with the express written consent of the Representative Director of AKM. As used here:
  - (a) A hazard related device or system is one designed or intended for life support or maintenance of safety or for applications in medicine, aerospace, nuclear energy, or other fields, in which its failure to function or perform may reasonably be expected to result in loss of life or in significant injury or damage to person or property.
  - (b) A critical component is one whose failure to function or perform may reasonably be expected to result, whether directly or indirectly, in the loss of the safety or effectiveness of the device or system containing it, and which must therefore meet very high standards of performance and reliability.
- It is the responsibility of the buyer or distributor of an AKM product who distributes, disposes of, or otherwise places the product with a third party to notify that party in advance of the above content and conditions, and the buyer or distributor agrees to assume any and all responsibility and liability for and hold AKM harmless from any and all claims arising from the use of said product in the absence of such notification.

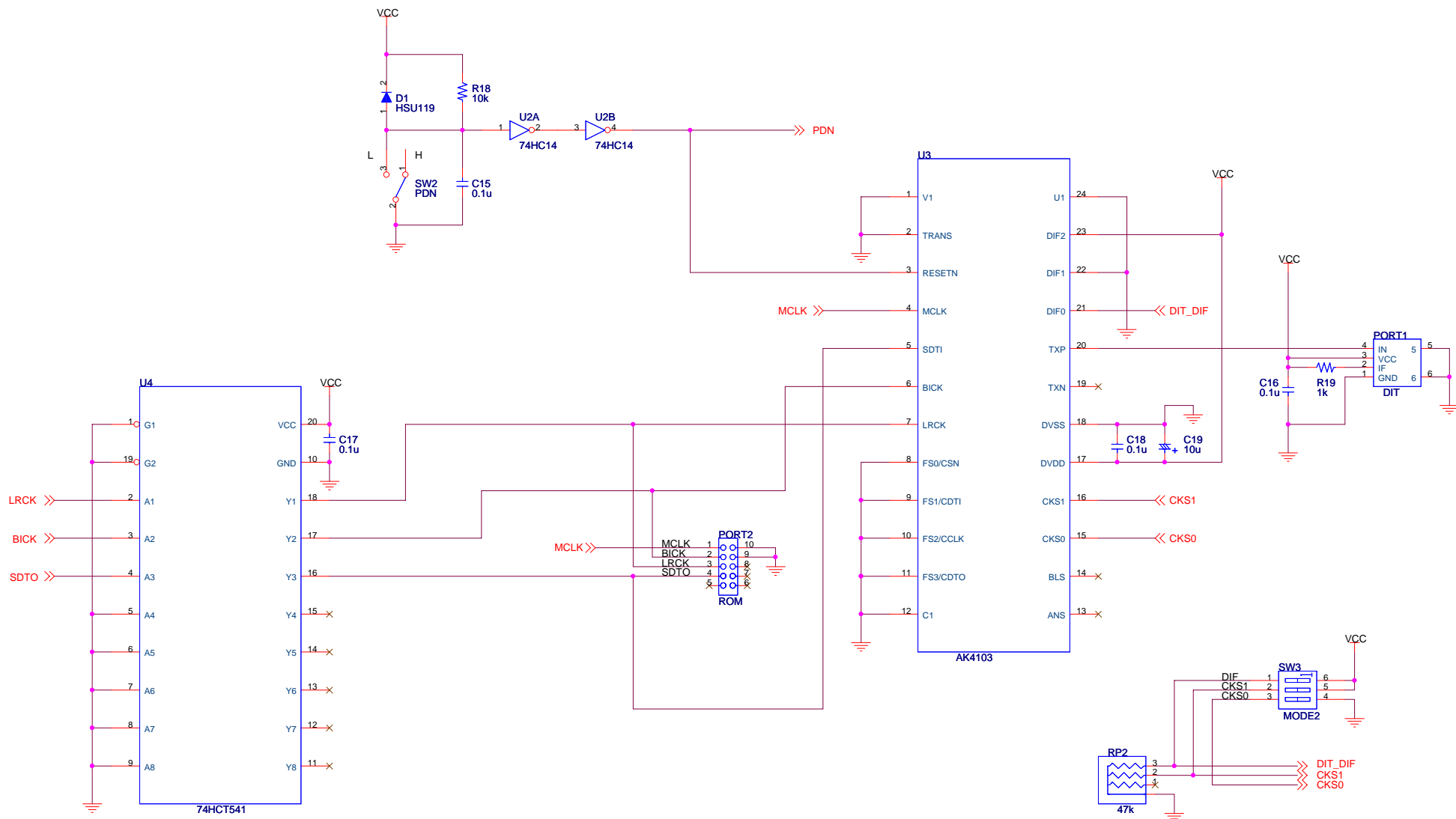


# AK5366VR

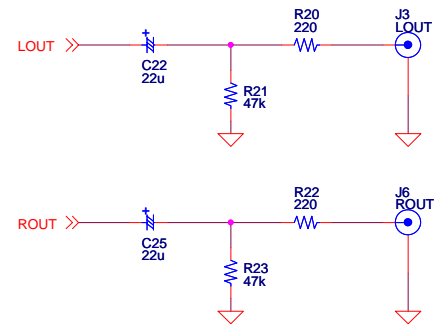
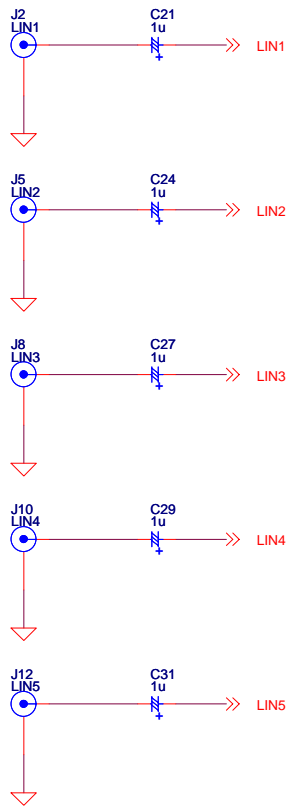
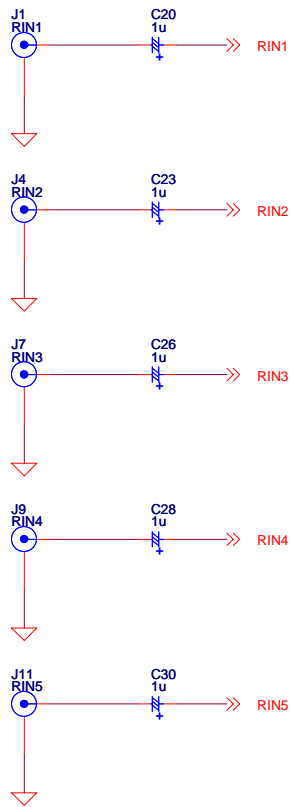
Title	AKD5366VR-A-48LQFP	
Size	Document Number	AK5366VR
A3		Rev 1
Date:	Tuesday, December 19, 2006	Sheet 1 of 1



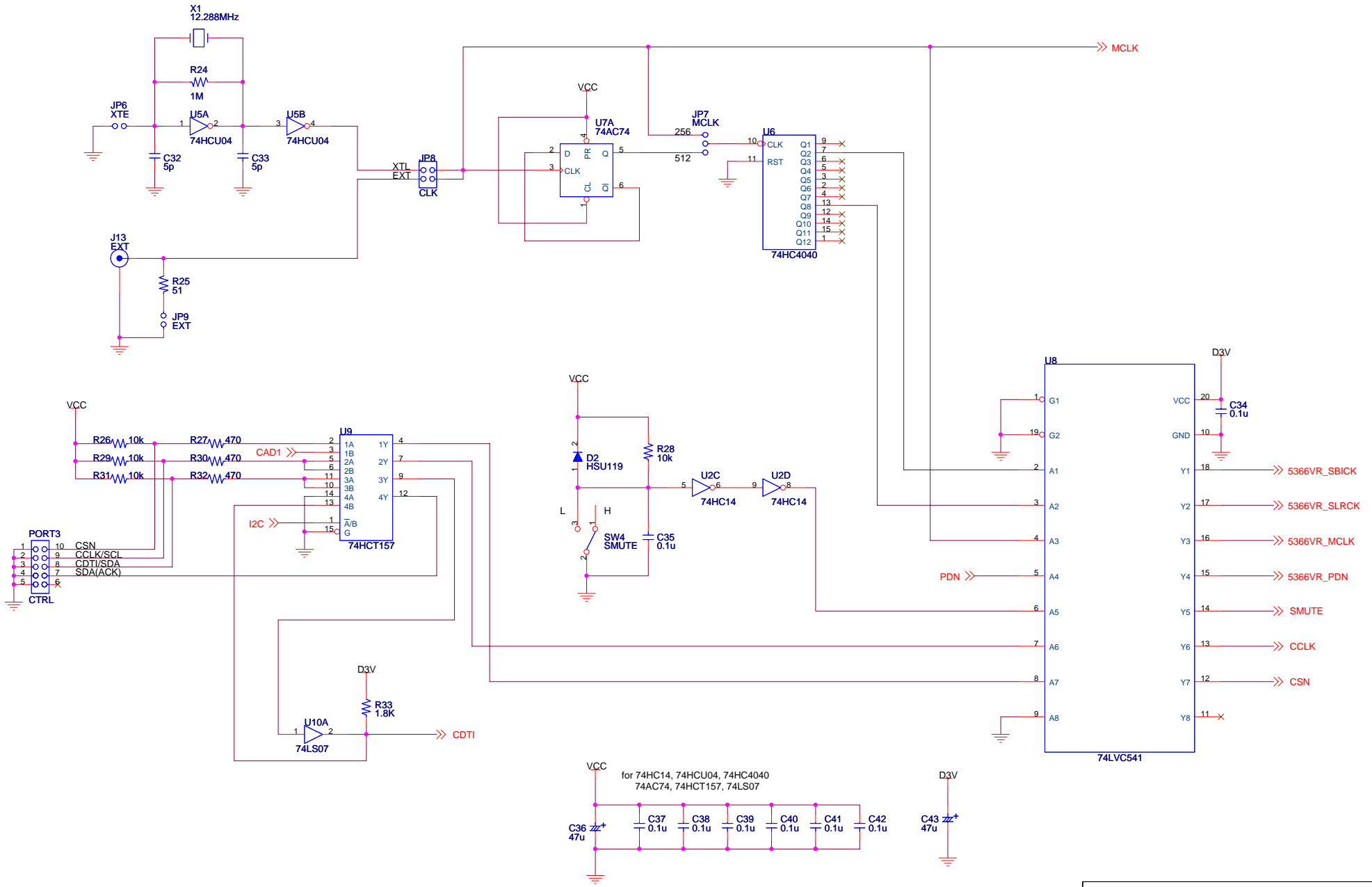
Title			<b>AKD5366VR-A</b>
Size	Document Number	Rev	
A3	<b>AK5366VR</b>	1	
Date:	Tuesday, December 19, 2006	Sheet	1 of 4



Title		<b>AKD536VR-A</b>	
Size	Document Number	<b>DIT AK4103</b>	
A3		Date:	Tuesday, December 19, 2006
Sheet		2 of 4	
Rev		<b>1</b>	

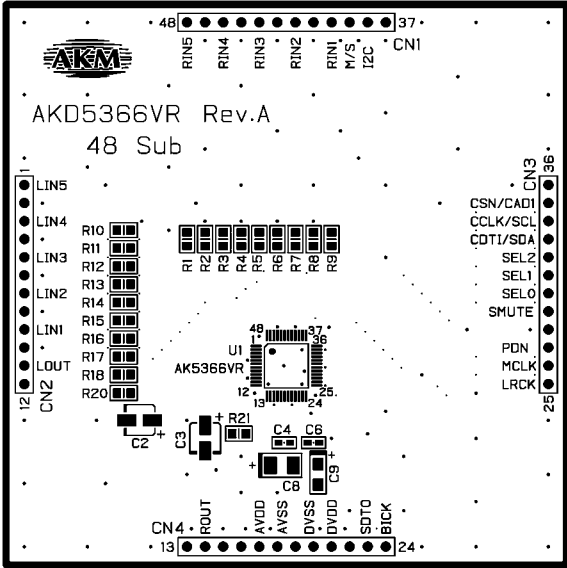


Title			
<b>AKD5366VR-A</b>			
Size	Document Number	Rev	
A3		<b>Input/Output</b>	
Date: Tuesday, December 19, 2006		Sheet	3 of 4



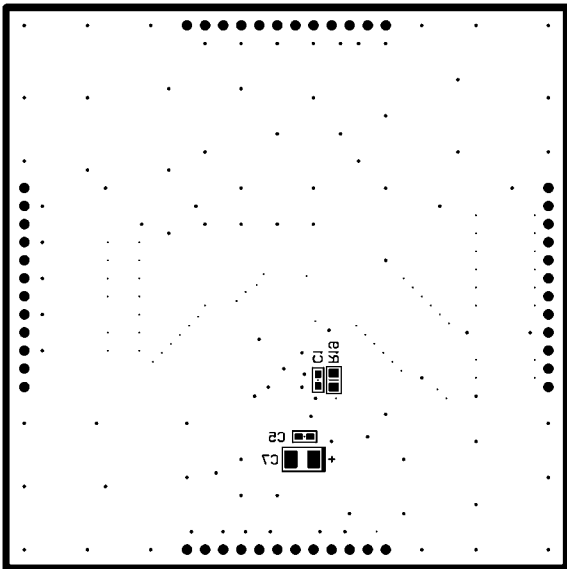
Title		<b>AKD5366VR-A</b>	
Size	Document Number	<b>LOGIC</b>	
A3		Date:	Tuesday, December 19, 2006
		Sheet	4 of 4
		Rev	<b>1</b>

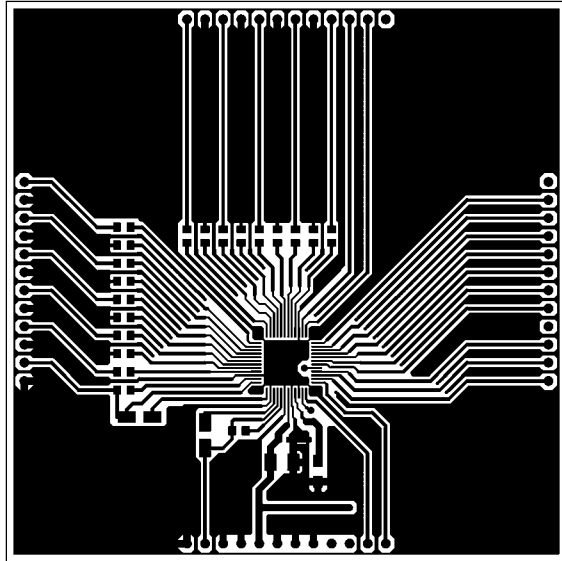




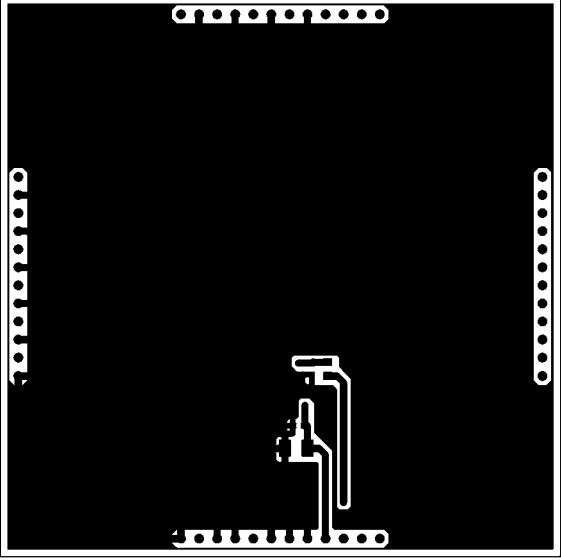
AKD5366VR 48Sub L1 SR SILK

AKD236VR 482up LS 2R SILK

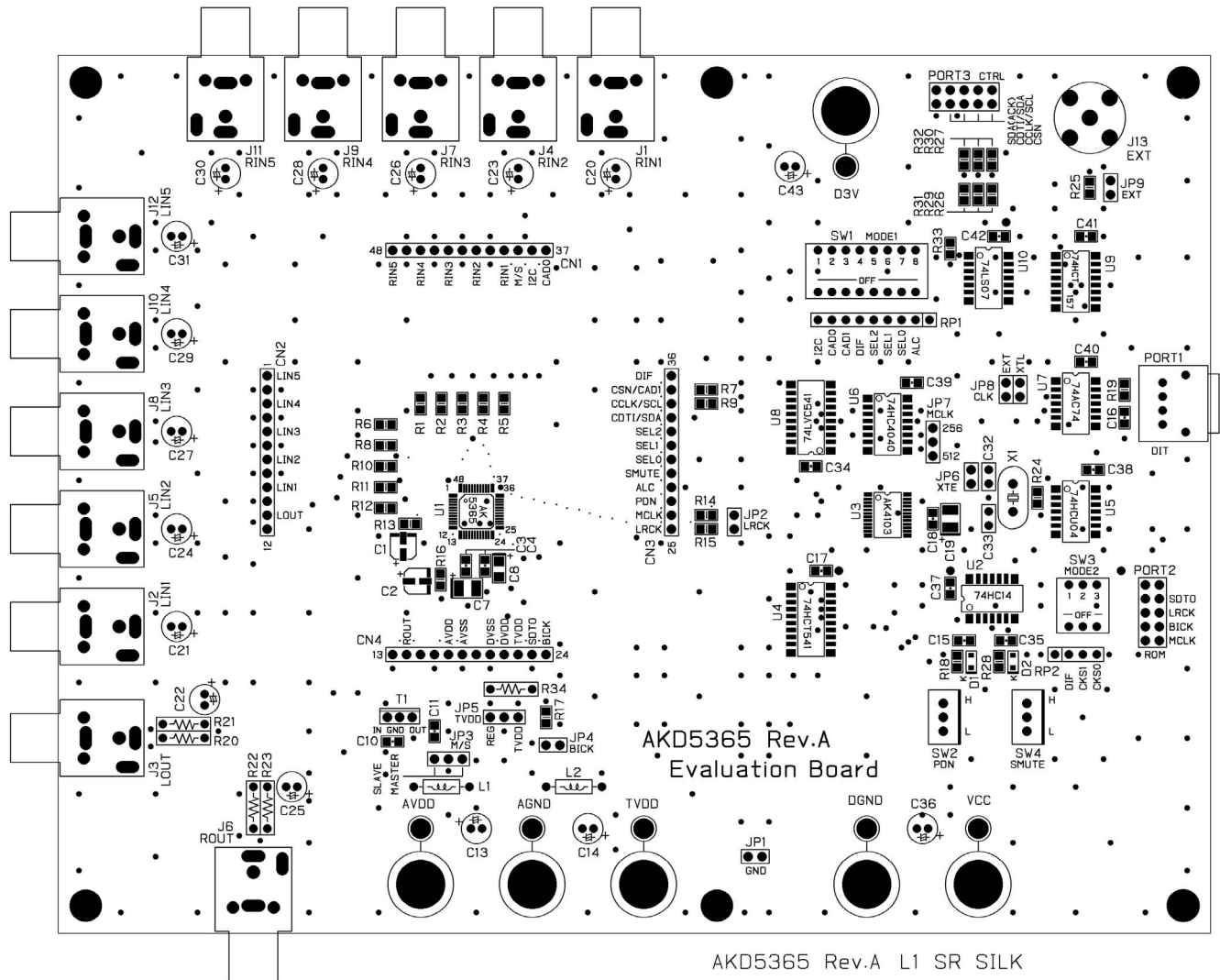




AKD5366VR 48Sub L1

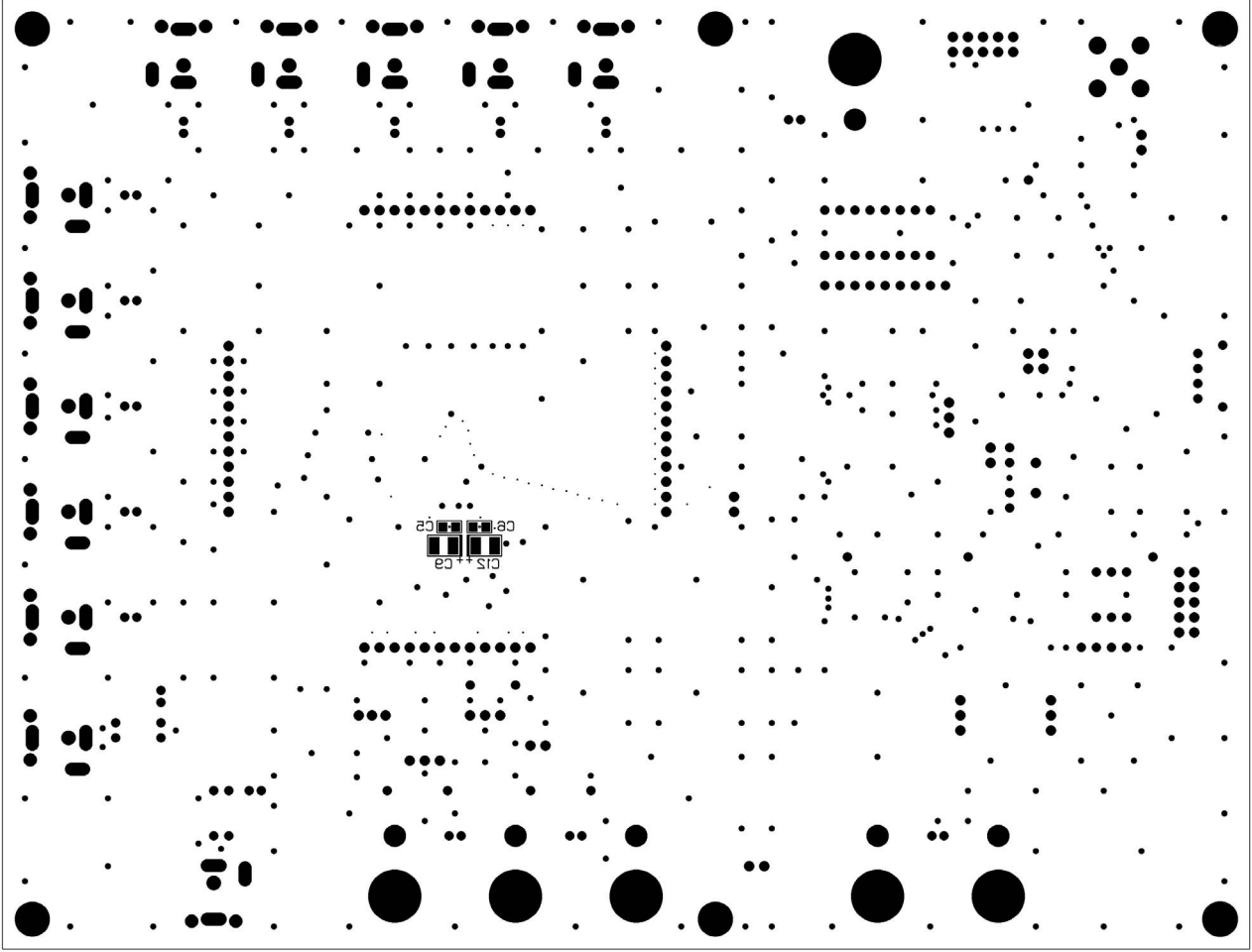


AKD2366VR 482np LS SJ

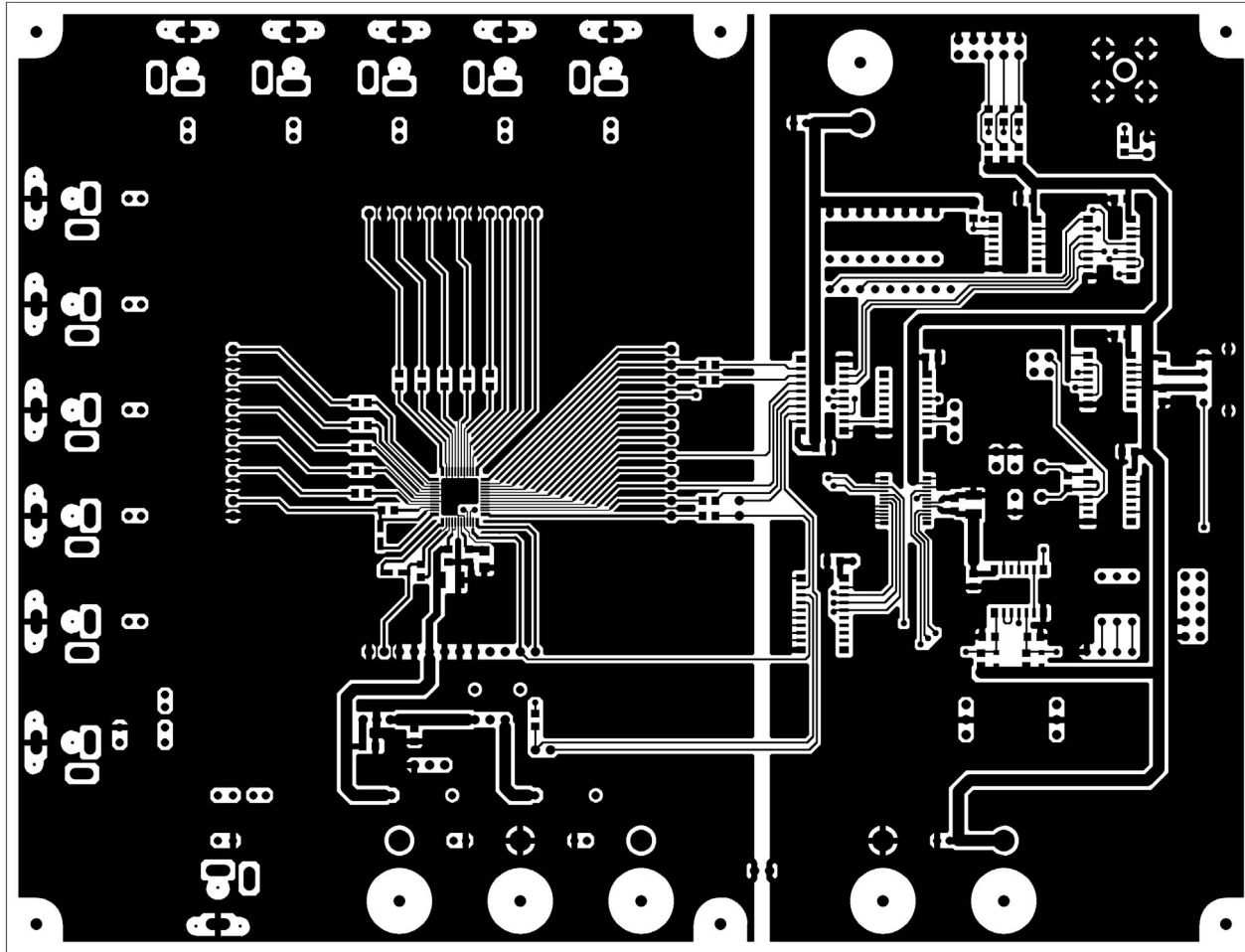


AKD5365 Rev.A  
Evaluation Board

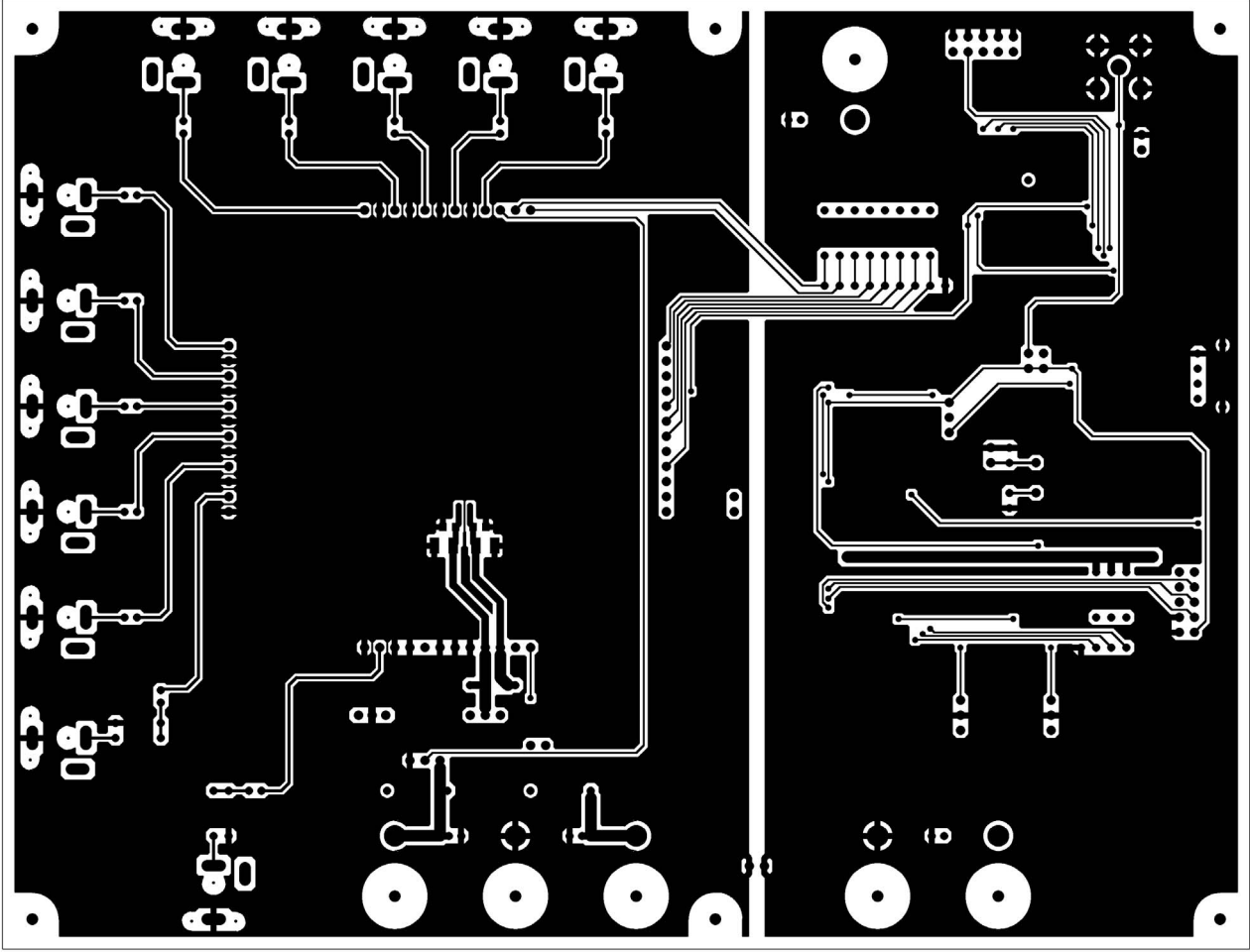
AKD5365 Rev.A L1 SR SILK



AKD5385 Rev.A LS SR SILK



AKD5365 Rev.A L1



AKD2382 Rev.A LS