

UK series 6mmL Chip Type, For general Audio Equipment



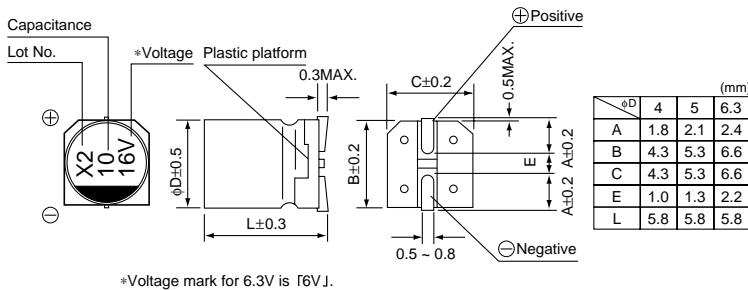
- Chip type acoustic series.
- Applicable to automatic insertion machine using carrier tape.
- Adapted to the RoHS directive (2002/95/EC)



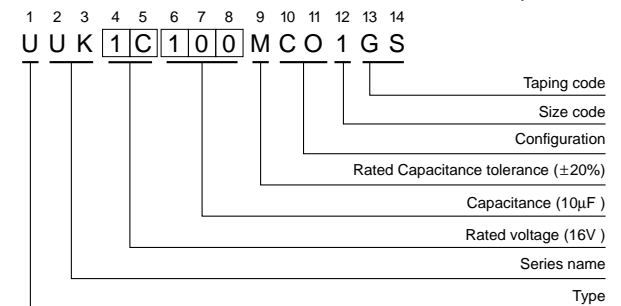
Specifications

Item	Performance Characteristics									
Category Temperature Range	-40 ~ +85°C									
Rated Voltage Range	4 ~ 50V									
Rated Capacitance Range	0.1 ~ 220μF									
Capacitance Tolerance	±20% at 120Hz, 20°C									
Leakage Current	After 2 minutes' application of rated voltage, leakage current is not more than 0.01 CV or 3 (μA), whichever is greater.									
tan δ	Measurement frequency : 120Hz, Temperature : 20°C									
	Rated voltage (V)	4	6.3	10	16	25	35	50		
Stability at Low Temperature	Measurement frequency : 120Hz									
	Impedance ratio ZT / Z20 (MAX.)	Rated voltage (V)		4	6.3	10	16	25	35	50
		Z-25°C / Z+20°C	7	4	3	2	2	2	2	
Z-40°C / Z+20°C	15	8	8	4	4	3	3			
Endurance	After 2000 hours' application of rated voltage at 85°C, capacitors meet the characteristics requirements listed at right.	Capacitance change	Within ±20% of initial value							
		tan δ	200% or less of initial specified value							
		Leakage current	Initial specified value or less							
Shelf Life	After storing the capacitors under no load at 85°C for 1000 hours, and after performing voltage treatment based on JIS C 5101-4 clause 4.1 at 20°C, they will meet the specified value for endurance characteristics listed above.									
Resistance to soldering heat	The capacitors shall be kept on the hot plate maintained at 250°C for 30 seconds. After removing from the hot plate and restored at room temperature, they meet the characteristics requirements listed at right.	Capacitance change	Within ±10% of initial value							
		tan δ	Initial specified value or less							
		Leakage current	Initial specified value or less							
Marking	Black print on the case top.									

Chip Type



Type numbering system (Example : 16V 10μF)



Dimensions

Cap.(μF)	Code	V		4		6.3		10		16		25		35		50	
		Code	OG	OJ	1A	1C	1E	1V	1H								
0.1	0R1															4	1.0
0.22	R22															4	2.0
0.33	R33															4	2.8
0.47	R47															4	4.0
1	010															4	8.4
2.2	2R2															4	13
3.3	3R3															4	17
4.7	4R7															4	20
10	100								4	23	5	27	5	29	6.3	6.3	33
22	220			4	28	5	33	5	37	6.3	42	6.3	46				
33	330	4	28	5	37	5	41	6.3	49	6.3	52						
47	470	4	33	5	45	6.3	52	6.3	58								
100	101	5	56	6.3	70												
220	221	6.3	96														

Frequency coefficient of rated ripple current

Frequency	50 Hz	120 Hz	300 Hz	1 kHz	10 kHz~
Coefficient	0.70	1.00	1.17	1.36	1.50

- Taping specifications are given in page 24.
- Recommended land size, soldering by reflow are given in page 25, 26.
- Please refer to page 3 for the minimum order quantity.

Rated Ripple(mArms)at 85°C 120Hz