

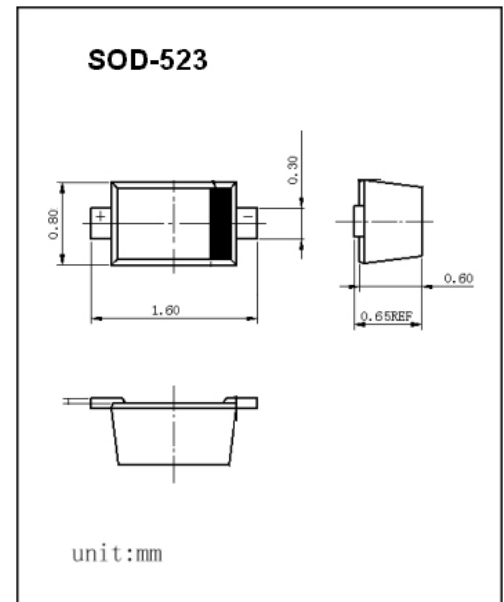
SOD-523 Plastic-Encapsulated Diodes

1SS422 High Speed SWITCHING Diodes

FEATURES

- Small surface mounting type
- High Speed
- High reliability with high surge current handing capability

MARKING: 6



Maximum Ratings and Electrical Characteristics, Single Diode @T_A= 25°C

Parameter	Symbol	Limits	Unit
Peak reverse voltage	V _{RM}	100	V
DC reverse voltage	V _R	85	V
Peak forward current	I _{FM}	500	mA
Mean rectifying current	I _O	150	mA
Junction temperature	T _j	125	°C
Storage temperature	T _{stg}	-55~+125	°C

Electrical Ratings @T_A= 25°C

Parameter	Symbol	Min.	Typ.	Max.	Unit	Conditions
Forward voltage	V _F			1.2	V	I _F =150mA
Reverse current	I _R			0.1	μA	V _R =85V
Capacitance between terminals	C _T			3.0	pF	V _R =0.5V, f=1MHZ
Reverse recovery time	t _{rr}			4	ns	V _R =6V, I _F =10mA, R _L =100Ω

Typical Characteristics

1SS422

FIG. 1 - SURGE CURRENT CHARACTERISTICS

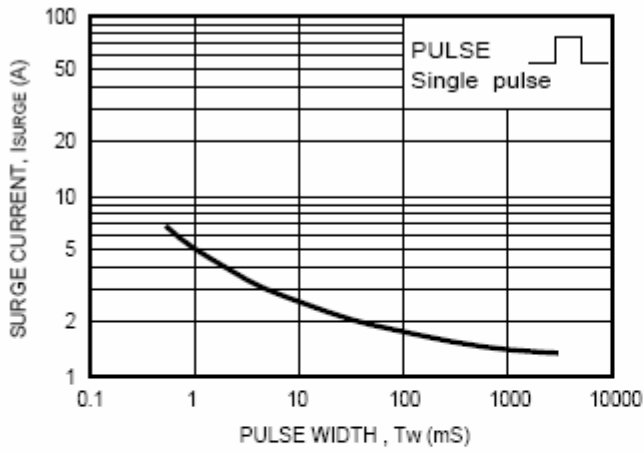


FIG. 2 - FORWARD CHARACTERISTICS

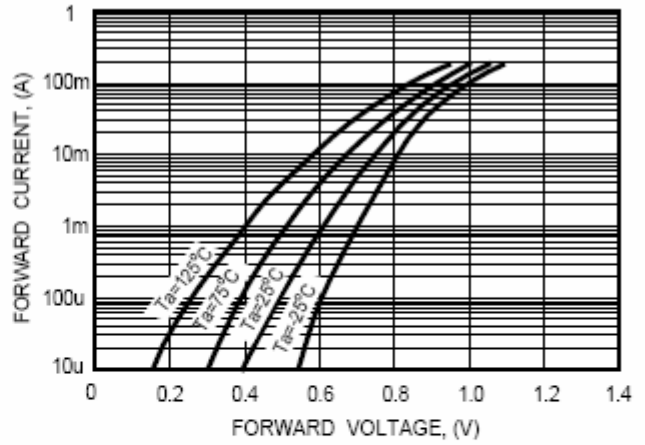


FIG. 3 - TYPICAL JUNCTION CAPACITANCE

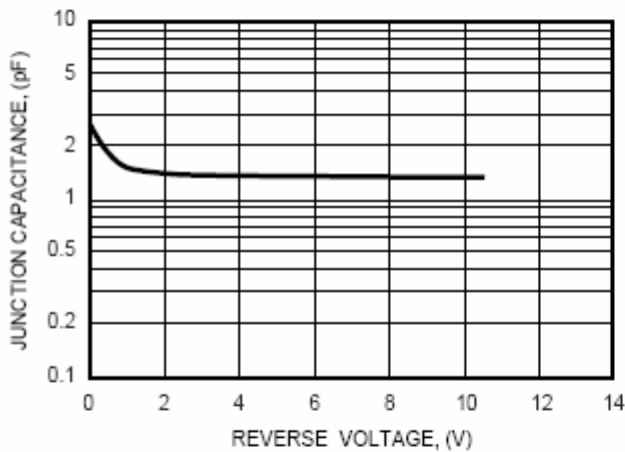


FIG. 4 - REVERSE CHARACTERISTICS

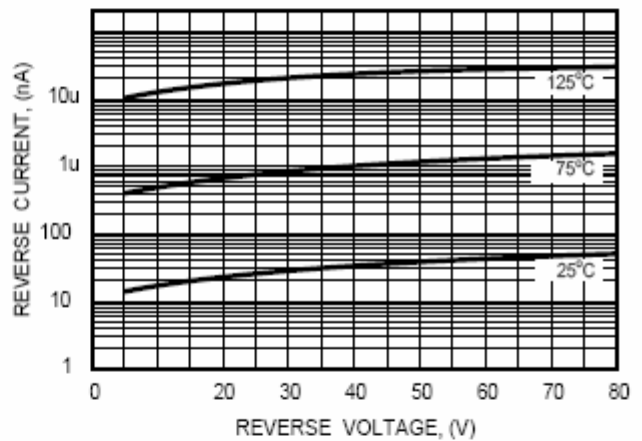


FIG. 5 - REVERSE RECOVERY TIME

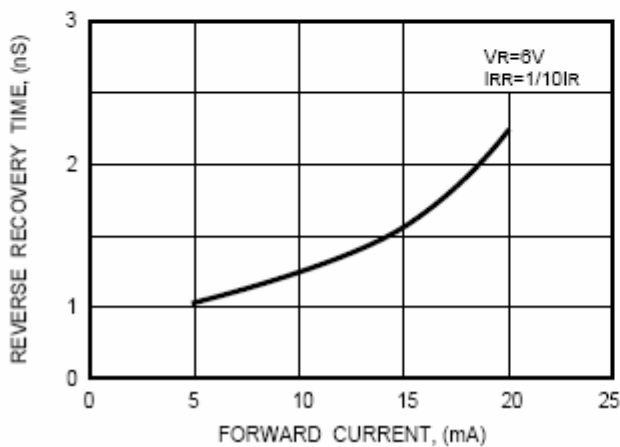


FIG. 6 - REVERSE RECOVERY TIME MEASUREMENT CIRCUIT

