



ZHX1223

SIR UltraSlim™
Transceivers

Product Specification

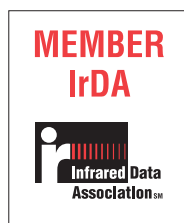
PS025601-1005



This publication is subject to replacement by a later edition. To determine whether a later edition exists, or to request copies of publications, contact:

ZiLOG Worldwide Headquarters

532 Race Street
San Jose, CA 95126-3432
Telephone: 408.558.8500
Fax: 408.558.8300
www.ZiLOG.com



ZiLOG is a registered trademark of ZiLOG Inc. in the United States and in other countries. All other products and/or service names mentioned herein may be trademarks of the companies with which they are associated.

Document Disclaimer

©2005 by ZiLOG, Inc. All rights reserved. Information in this publication concerning the devices, applications, or technology described is intended to suggest possible uses and may be superseded. ZILOG, INC. DOES NOT ASSUME LIABILITY FOR OR PROVIDE A REPRESENTATION OF ACCURACY OF THE INFORMATION, DEVICES, OR TECHNOLOGY DESCRIBED IN THIS DOCUMENT. ZiLOG ALSO DOES NOT ASSUME LIABILITY FOR INTELLECTUAL PROPERTY INFRINGEMENT RELATED IN ANY MANNER TO USE OF INFORMATION, DEVICES, OR TECHNOLOGY DESCRIBED HEREIN OR OTHERWISE. Devices sold by ZiLOG, Inc. are covered by warranty and limitation of liability provisions appearing in the ZiLOG, Inc. Terms and Conditions of Sale. ZiLOG, Inc. makes no warranty of merchantability or fitness for any purpose. Except with the express written approval of ZiLOG, use of information, devices, or technology as critical components of life support systems is not authorized. No licenses are conveyed, implicitly or otherwise, by this document under any intellectual property rights.



Table of Contents

Description	1
Features	2
Pin Description	2
VCC Positive Supply	2
GND Ground	3
SD Shutdown	3
RXD Receive Data	3
TXD Transmit Data	3
LEDA LED Driver	3
Application Block Diagrams	4
Electrical and Timing Specifications	5
ZHX1223 Tape and Reel Specifications	7
ZHX1223 Soldering and Cleaning Recommendations	8
Reflow Soldering	8
Manual Soldering	8
Cleaning	8
Moisture Prevention Guidelines	9
Baking	9
Mechanical Specification	10
Ordering Information	10
Customer Feedback Form	11
Customer Information	11
Product Information	11
Return Information	11
Problem Description or Suggestion	11



List of Figures

Figure 1.	ZHX1223 Block Diagram	1
Figure 2.	ZHX1223 Application Block Diagrams	4
Figure 3.	ZHX1223 Reel Specifications	7
Figure 4.	ZHX1223 Tape Specifications	7
Figure 5.	ZHX1223 Packaging	9
Figure 6.	ZHX1223 Mechanical Specification	10

List of Tables

Table 1.	ZHX1223 Transceiver Pin Out	2
Table 2.	Absolute Maximum Ratings	5
Table 3.	Recommended Operating Conditions	5
Table 4.	Electrical Characteristics	5

Description

The ZILOG ZHX1223 for mobile phones, pagers, and PDAs is the smallest, lowest power, and highest functional transceiver in its class.

Communication takes place at the low receive current consumption of 100 μA (typical). The ZHX1223TB features only the low receive current consumption of 90 μA (typical).

The UltraSlim form factor (7.3 mm long x 2.8 mm wide x 1.9 mm high) allows placement in virtually any small device. Application circuit space is also minimized because only two external components are required.

The ZHX1223 is designed to support IrDA-Data SIR mode, which at 115 Kbits/s provides the capability for the user to share phone numbers, addresses, and notes as well as linking a PC to the internet via a mobile telephone.

The transceiver combines an IRED emitter, a photodiode, and a unique driver/control ASIC in a single package, as shown in Figure 1.

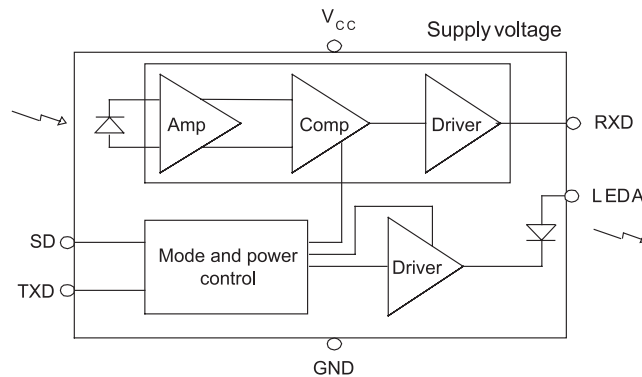


Figure 1. ZHX1223 Block Diagram

The ZILOG ZHX1223 also features a shutdown control that minimizes current draw to 0.1 μA typical.



Features

- Compliant to IrDA Data Specification 1.4
- Low-power supply voltage range: 2.4 to 3.6 V
- ZHX1223 listening current: 90 μ A (typically) at 3.0 V (ZiLOG exclusive)
- UltraSlim package: 7.3 mm long x 2.8 mm high x 1.9 mm wide
- Extended operating temperature range: -30 °C to $+85$ °C
- Internal current source eliminates need for a current-limiting resistor for IR LED
- Meets IEC 825-1 Class 1 eye safety specifications
- Compliant to ROHS 2002/95/EC

Pin Description

Table 1 lists the pin out for the ZHX1223 transceivers. The pins are described in this section.

Table 1. ZHX1223 Transceiver Pin Out

Pin	Name	Function	I/O
1	NC	NC (future use)	—
2	V _{CC}	Supply voltage	—
3	GND	Ground	—
4	SD	Shutdown	I
5	RXD	Receiver output	O
6	TXD	Transmitter input	I
7	LEDA	IREDA anode	—

V_{CC} Positive Supply

(Power)

Connect to positive power supply (2.4–3.6 V). Filter with a 1.0- μ F ceramic bypass capacitor and terminating resistor as close as possible to the V_{CC} pin.



GND Ground

(Power)

Connect to ground of the power supply. A solid ground plane is recommended for proper operation.

SD Shutdown

(Input, active high)

This input is used to place the transceiver into a shutdown mode.

RXD Receive Data

(Output, active low)

This output provides received serial data. It is a tri-state, slew rate controlled CMOS output (tri-stated during shutdown) driver capable of driving a standard CMOS or LS series TTL load. No external resistor is required.

TXD Transmit Data

(Input, active high)

This CMOS input is used to transmit serial data and has an internal pull-down resistor that is enabled during shutdown.

LEDA LED Driver

(Output, active low)

This output is internally connected to the LED anode and contains an internal current source. The voltage range on this pad is 2.4–4.2 volts.

Application Block Diagrams

Figure 2 shows the application block diagrams for the ZHX1223 transceivers.

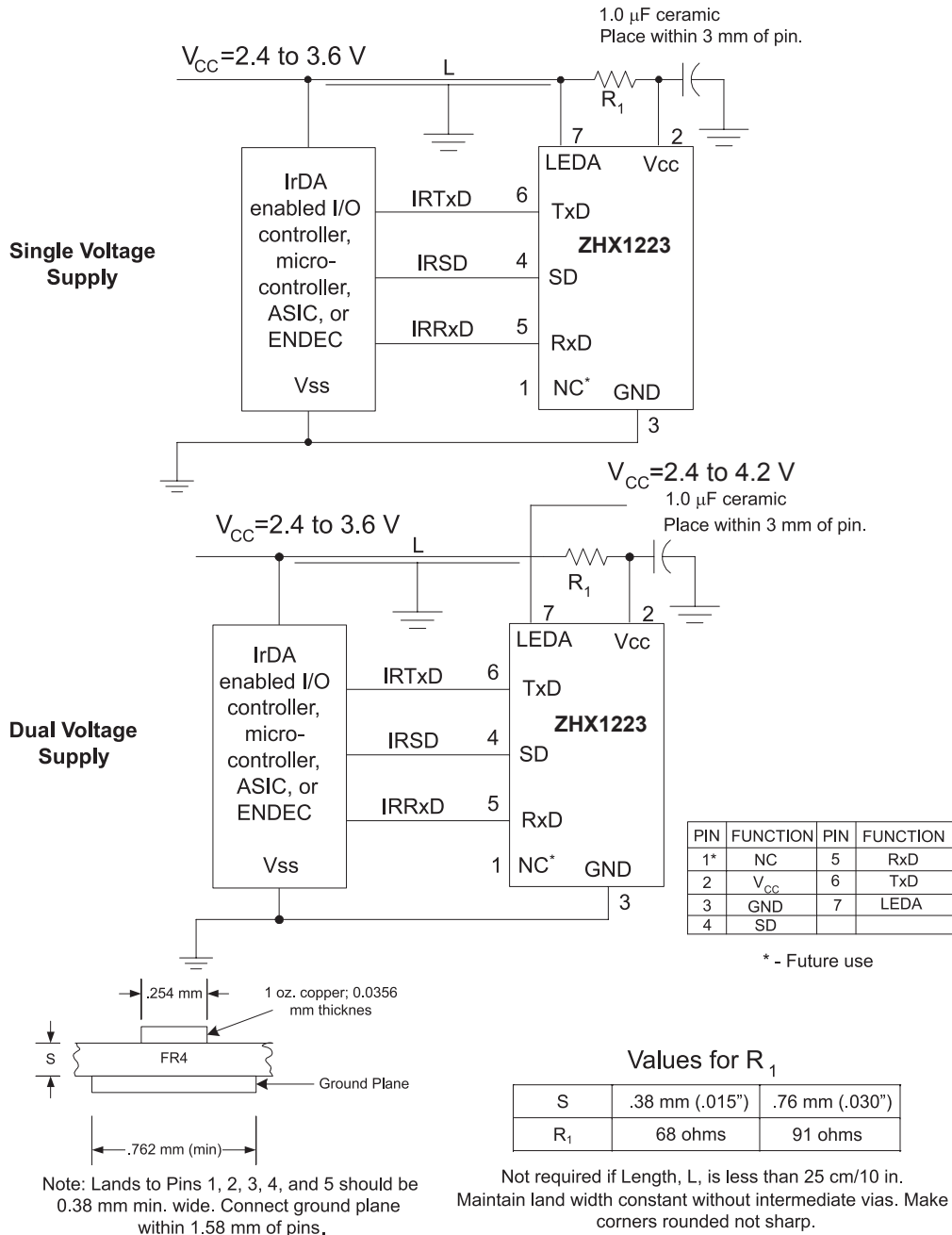


Figure 2. ZHX1223 Application Block Diagrams



Electrical and Timing Specifications

Table 2, Table 3, and Table 4 list the electrical and timing specifications.

Table 2. Absolute Maximum Ratings

Parameter	Symbol	Min	Max	Unit	Comment
Supply voltage	V_{CC}	-0.3	3.6	V	V_{CC} , GND
Supply voltage	V_{LED}	-0.3	4.4	V	
Input voltage	V_{IN}	GND-0.3	$V_{CC}+0.3$	V	TXD, SD
Output (Ext.) voltage	V_{OUT}	GND-0.3	$V_{CC}+0.3$	V	RXD
Storage temperature	T_{ST}	-40	100	°C	
Solder temperature	T_{SOL}		230	°C	
ESD			400	V	

Table 3. Recommended Operating Conditions

Parameter	Symbol	Min	Max	Unit
Supply voltage	V_{CC}	2.4	3.6	V
Supply voltage, LEDA	V_{LED}	2.4	4.2	V
Ambient operating temperature	T_{OP}	-30	85	°C

Table 4. Electrical Characteristics

Parameter	Symbol	Condition	Min	Typical	Max	Unit	Remarks
High-level input voltage	V_{IH}		$0.75V_{CC}$			V	TXD, SD
Low-level input voltage	V_{IL}				0.4	V	TXD, SD
High-level output voltage	V_{OH}	$I_{OH}=-100\ \mu A$	$V_{CC}-0.4$			V	RXD
Low-level output voltage	V_{OL}	$I_{OL}=100\ \mu A$			0.4	V	RXD
Transmitter current	I_{LED}			40	60	mA	
Listening current	I_{CC}			6		μA	



Table 4. Electrical Characteristics (Continued)

Parameter	Symbol	Condition	Min	Typical	Max	Unit	Remarks
Receive current	I_{CC}			90	125	μA	Idle
Standby current	I_{STB}			0.1	1.0	μA	$SD=V_{CC}$, $TXD=0\text{ V}$
RXD pulse width	t_{PWA}	$SIR \leq 115.2\text{ Kbps}$	1.0		5	μs	Input pulse=1.6 μs ; rise/fall time<600 ns
Power shutdown time	T_{SD}			1		μs	
Startup time	T_{STU}			200		μs	
Latency	T_{RRT}			150		μs	
Transmitter LED timeout				130	270	μs	Protects LED when TXD is left high
Rise/fall time	T_r, T_f	$C_{load}=25\text{ pF}$	10		40	ns	
Trans. radiant intensity	I_E	$I_{LED}=260\text{ mA}$	40		100	mW/sr	On-axis
Minimum threshold irradiance	E_{emin}	$V_{CC}=3.3\text{ V}$			4	$\mu\text{W/cm}^2$	$\theta_h, \theta_v \leq (\pm 15^\circ)$
Maximum input irradiance	E_{emax}	$V_{CC}=3.3\text{ V}$	500			mW/cm^2	$\theta_h, \theta_v \leq (\pm 15^\circ)$
Peak wavelength	λ_p			870		nm	

Unless otherwise noted: $V_{CC}=3.3\text{ V}$, $GND=0\text{ V}$, $T_A=25\text{ }^\circ\text{C}$

Note: To minimize power dissipation, the part has been designed for optimal operation in 1.6 μs mode. If used in the 3/16th pulse duration mode, some devices will exhibit a phantom RxD pulse at 9.6 Kbits/s.

ZHX1223 Tape and Reel Specifications

Figure 3 shows the ZHX1223 reel specifications, and Figure 4 shows the ZHX1223 tape specifications.

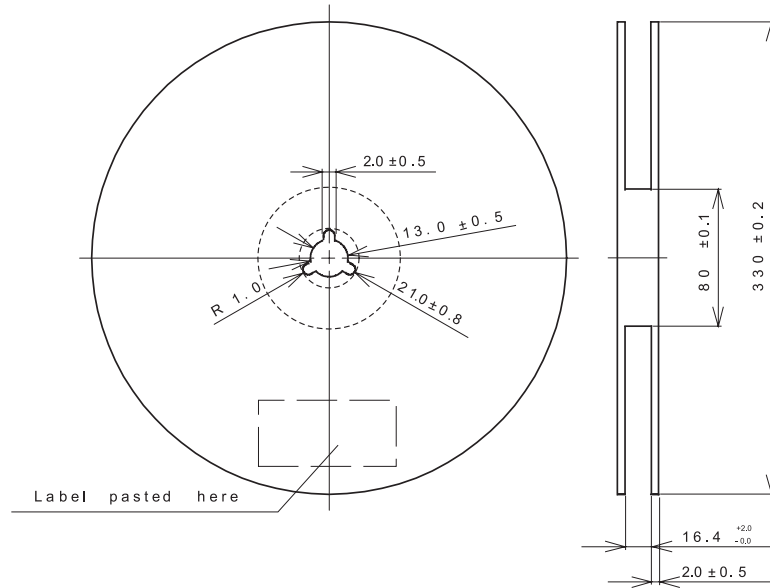


Figure 3. ZHX1223 Reel Specifications

TBD

Figure 4. ZHX1223 Tape Specifications



ZHX1223 Soldering and Cleaning Recommendations

Follow these recommendations to maintain the performance of the ZHX1223 transceivers.

Reflow Soldering

- ▶ **Note:** Please refer to ZiLOG's Lead-Free Solder Reflow: Packaging Application Note (AN0161, <http://www.zilog.com/docstools.asp>) for more information about the solder profile.

Manual Soldering

- Use 63/37 or silver solder.
- Temperature at solder iron tip: no more than 280 °C
- Finish soldering within 3 seconds.
- Handle only after the ZHX1223 transceivers have cooled off.

Cleaning

Perform cleaning under the following conditions:

- Cleaning agent: alcohol
- Temperature and time 30 seconds below 50 °C or 3 minutes below 30 °C
- Ultrasonic cleaning: below 20 W

Moisture Prevention Guidelines

To avoid moisture absorption during transportation and storage, ZHX1223 reels are packed in aluminum envelopes (see Figure 5) that contain a desiccant with a humidity indicator. While this packaging is an impediment to moisture absorption, it is by no means absolute, and no warranty is implied. The user must store these parts in a controlled environment to prevent moisture entry. Please read the label on the aluminum bag for indicator instructions.

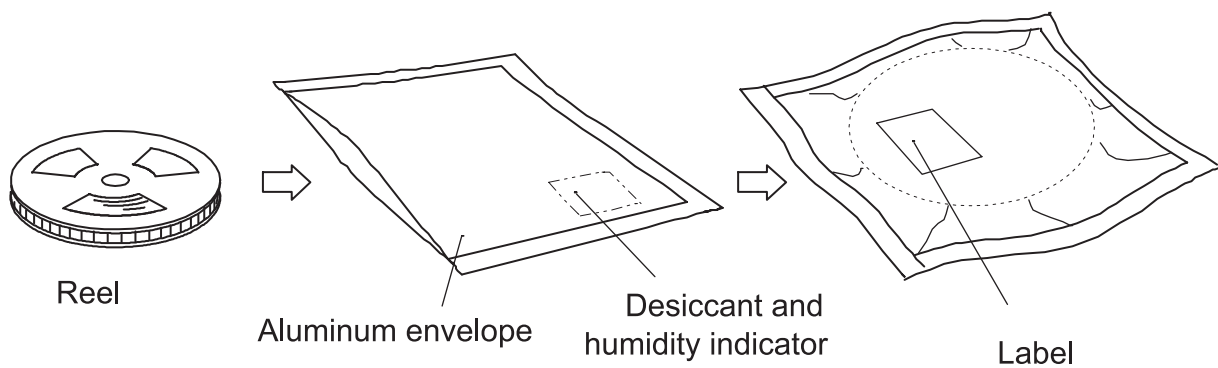


Figure 5. ZHX1223 Packaging

Baking

Parts that have been stored over 12 months or unpacked over 72 hours should be baked under the following guidelines.

Reels

60 °C for 48 hours or more

Loose Parts

- 100 °C for 4 hours or more
or
- 125 °C for 2 hours or more
or
- 150 °C for 1 hour or more

Mechanical Specification

Figure 6 shows the mechanical specification for the ZHX1223 transceivers.

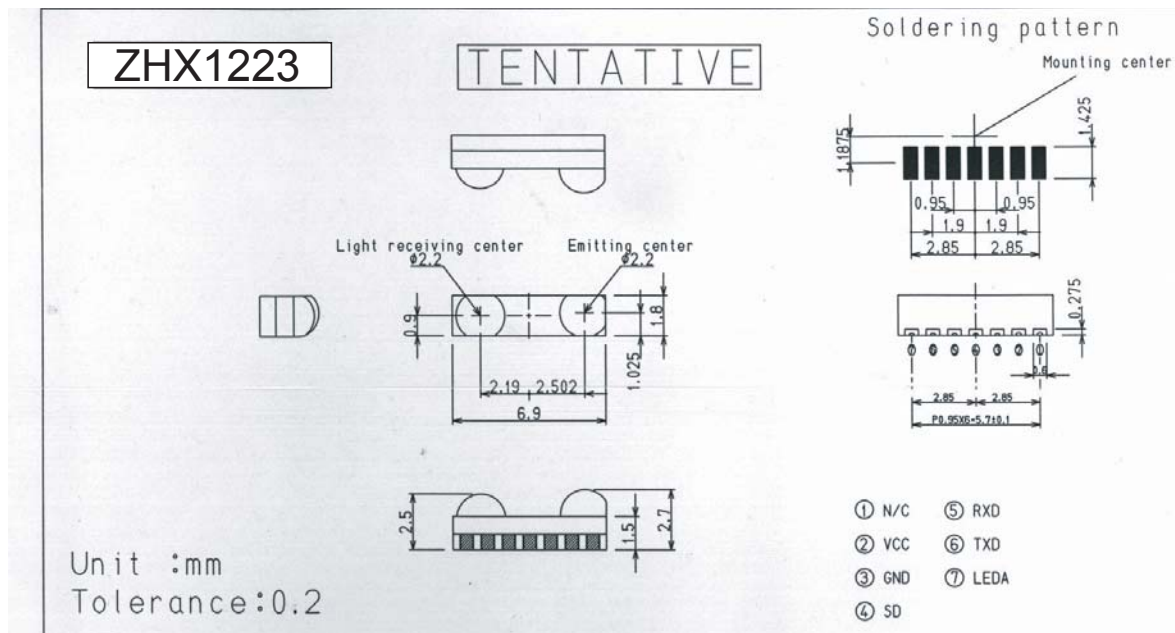


Figure 6. ZHX1223 Mechanical Specification

Ordering Information

Use the following information to order the ZHX1223 transceivers:

ZHX1223TB115THTR 2500/reel

- **Note:** All ZiLOG devices are available lead free. ZHX1223 has always been lead free. These devices meet or exceed RoHS Directive 2002/95/EC. For additional information, please see the ZiLOG Quality and Reliability web page at <http://www.zilog.com/quality/index.asp>.



Customer Feedback Form

If you experience any problems while operating this product, or if you note any inaccuracies while reading this product specification, please copy and complete this form, then mail or fax it to ZiLOG (see *Return Information*, below). We also welcome your suggestions!

Customer Information

Name	Country
Company	Phone
Address	Fax
City/State/Zip	email

Product Information

Serial # or Board Fab #/Rev #
Software Version
Document Number
Host Computer Description/Type

Return Information

ZiLOG
System Test/Customer Support
532 Race Street
San Jose, CA 95126-3432
Fax: (408) 558-8300
Web: www.zilog.com

Problem Description or Suggestion

Provide a complete description of the problem or your suggestion. If you are reporting a specific problem, include all steps leading up to the occurrence of the problem. Attach additional pages as necessary.