

JFET INPUT QUAD OPERATIONAL AMPLIFIER—YD084

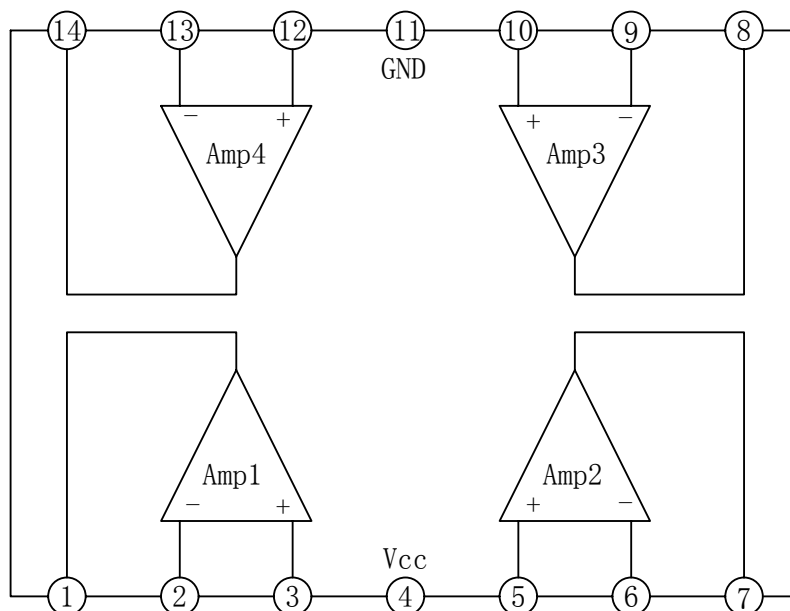
DESCRIPTION

The YD084 are high speed JFET input quad operational amplifiers incorporating well matched, high voltage JFET and Bipolar transistors in a monolithic integrated circuit.

FEATURES

- *Wide common-mode (up to V_{CC}) and differential voltage range.
- *Low input bias and offset current.
- *Output short-circuit protection
- *High input impedance JFET input stage.
- *Internal frequency compensation.
- *Latch up free operation.
- *High slew rate: $13V/\mu S$ (typ).

BLOCK DIAGRAM



WuXi YouDa Electronics Co., Ltd

Add: No.5 Xijin Road, National Hi-Tech Industrial Development Zone, Wuxi Jiangsu China

Tel: 86-510-85205117 86-510-85205106 Fax: 86-510-85205110 Website: www.e-youda.com

SHENZHEN OFFICE Tel: 86-755-83740369 Fax: 86-755-83741418

ABSOLUTE MAXIMUM RATINGS (Tamb=25°C)

PARAMETER	SYMBOL	VALUE	UNIT
Supply Voltage	V _{CC} /V _{EE}	±18	V
Differential Input Voltage	V _{ID}	±30	V
Input Voltage	V _{IC}	±15	V
Power Dissipation	P _D	680	mW
Operating temperature	T _{opr}	0~70	°C
Storage Temperature	T _{stg}	-55~150	°C

ELECTRICAL CHARACTERISTICS

(V_{CC}=15V, V_{EE}=-15V, Tamb=25°C, Unless otherwise specified)

PARAMETER	SYMBOL	TEST CONDITIONS	MIN	TYP	MAX	UNIT
Supply current	I _{CC}	No load		1.4	2.8	mA
Input offset voltage	V _{IO}			3	10	mV
Input offset current	I _{IO}			5	200	pA
Input bias current	I _{IB}			30	400	pA
Input common mode voltage	V _{IC}		±11	±15		V
Output voltage swing	V _{OM1}	R _L =10k Ω	±12	±13.5		V
Output voltage swing	V _{OM2}	R _L =2k Ω	±10	±12		V
Unity-gain Gain	GB			3		MHz
Input Resistance	Z _{in}			10 ¹²		Ω
Output short-circuit current	I _{OS}		10	40	60	mA
Common mode rejection ratio	K _{CMR}		70	86		dB
Supply voltage rejection ratio	K _{SVR}		70	86		dB
Crosstalk Attenuation	C _S			120		dB

OUTLINE DRAWING

DIP-14

unit:mm

