

MU9C1480L TQFP Package Option

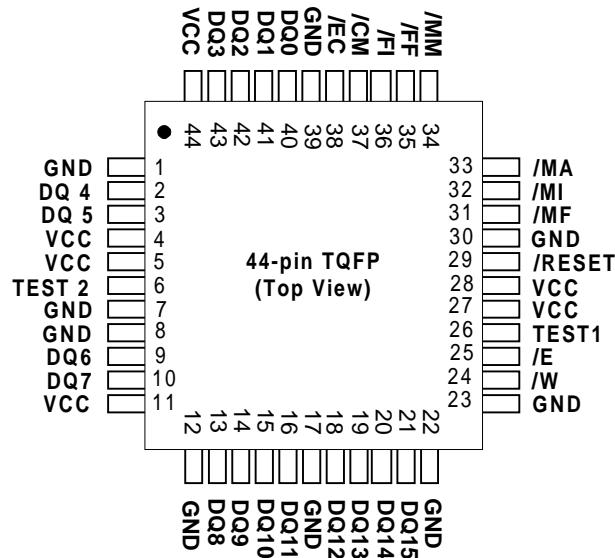
APPLICATION BENEFITS

The 1024 x 64-bit LANCAM provides numerous benefits:

- New package saves space
- Full CAM features allow all operations to be masked on a bit-by-bit basis
- Expanded powerful instruction set for any list processing needs
- Shiftable comparand and mask registers assist in proximate matching algorithms
- Fully compatible with all MUSIC LANCAM series, cascadable to any practical length without performance penalties

DISTINCTIVE CHARACTERISTICS

- 1024 x 64-bit CMOS content-addressable memory (CAM)
- 16-bit I/O
- Fast 90 ns compare speed
- Dual configuration register set for rapid context switching
- 16-bit CAM/RAM segments with MUSIC's patented partitioning
- /MA and /MM output flags to enable faster system performance
- Readable Device ID
- Selectable faster operating mode with no wait states after a no-match
- Validity bit setting accessible from the Status register
- Single cycle reset for Segment Control register
- 44-Pin TQFP package
- 3.3 Volt operation

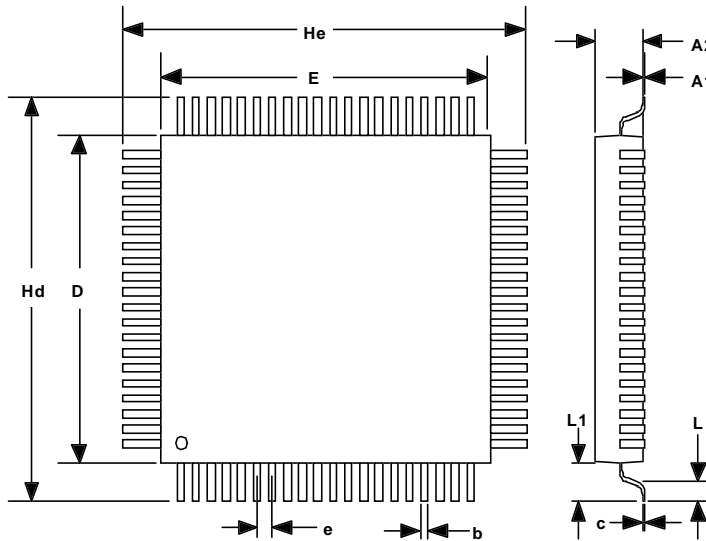


Pinout Diagram

MU9C1480L TQFP Package Option

ORDERING INFORMATION

Part Number	Cycle Time	Package	Temperature	Voltage
MU9C1480L-90TAC	90ns	44-PIN TQFP	0-70° C	3.3 ± 0.3



Dimensions are in mm.

44-pin	Dim. A1	Dim. A2	Dim. b	Dim. c	Dim. D	Dim. E	Dim. e	Dim. Hd	Dim. He	Dim. L1	Dim. L
Min	0.05	1.35	0.22	0.08	10.00	10.00	0.80	12.00	12.00	1.00	0.45
Nom		1.40	0.30	0.60							
Max	0.15	1.45	0.38	0.20							0.75

MUSIC Semiconductors Agent or Distributor:

MUSIC Semiconductors reserves the right to make changes to its products and specifications at any time in order to improve on performance, manufacturability, or reliability. Information furnished by MUSIC is believed to be accurate, but no responsibility is assumed by MUSIC Semiconductors for the use of said information, nor for any infringement of patents or of other third party rights which may result from said use. No license is granted by implication or otherwise under any patent or patent rights of any MUSIC company.
©Copyright 1999, MUSIC Semiconductors



<http://www.music-ic.com>
email: info@music-ic.com

Worldwide Sales Headquarters
MUSIC Semiconductors
4633 Old Ironsides Drive • Suite #130
Santa Clara, California 95054
USA
Tel: 408-330-7550
Fax: 408-330-7559
USA Only: 800-933-1550 Tech. Support
888-226-6874 Product Info.

Asian Sales Office
MUSIC Semiconductors
Special Export Processing Zone 1
Carmelray Industrial Park
Canlubang, Calamba, Laguna
Philippines
Tel: +63 49 549 1480
Fax: +63 49 549 1024
Sales Tel/Fax: +632 723 62 15

European Sales Office
MUSIC Semiconductors
P.O. Box 184
6470 ED Eygelshoven
The Netherlands
Tel: +31 45 546 2177
Fax: +31 45 546 3663