

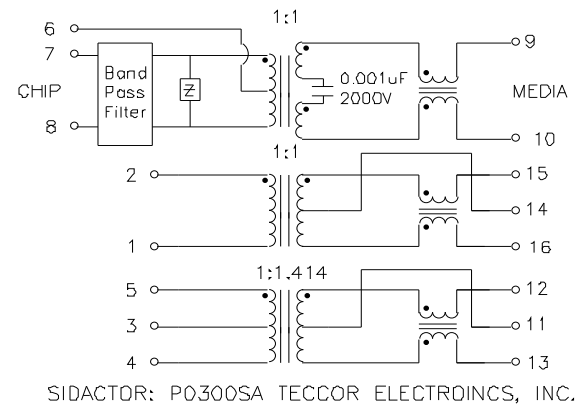
HOME PHONE NETWORKING BANDPASS FILTER with 10 Base-T

- * For AMD79C978 Chip
- * Supports TUT Systems Home Run (HPNA) Technology
- * Includes Sidactor, Isolation Xfmrs, Common Mode Choke and Bandpass Filters on HPNA side
- * Includes 10Base-T Magnetics with Common Mode Chokes
- * Pick & Place and IR Reflow Compatable
- * -40 to +85C Temperature Range

Electrical Specifications:

HIPOT: 1500Vrms (Input to Output)
 OCL: 2-1, 5-4 200uH Typ @100KHz 50mV
 Passband: @4.25-9.75MHz
 Insertion Loss: @4.25-9.75MHz 2.2dB Max
 Passband ripple: 0.5dB
 Attenuation @1.1MHz 60dB Min
 @22MHz 35dB Min
 @54MHz 60dB Min
 CMRR (common mode to diff.): 40dB Min

Schematic:



Dimensions:

