



# VOICE & MELODY CONTROLLER

## (ViewTalk™ Series)

### Table of Contents-

1.	GENERAL DESCRIPTION .....	2
2.	FEATURES .....	3
3.	BLOCK DIAGRAM .....	5
4.	PAD DESCRIPTION .....	6
5.	ELECTRICAL CHARACTERISTICS .....	7
	5.1 Absolute Maximum Ratings .....	7
	5.2 DC Characteristics .....	8
	5.3 AC Characteristics .....	9
6.	TYPICAL APPLICATION CIRCUITS .....	12
	6.1 Sub Clock with RC Mode .....	12
	6.2 Sub Clock with Xtal Mode .....	13
7.	REVISION HISTORY .....	14



## 1. GENERAL DESCRIPTION

The W536XXXP, a member of *ViewTalk*<sup>™</sup> family, is a high-performance 4-bit micro-controller (uC) with built-in 8KW uC program. The 4-bit uC core contains dual clock source, 4-bit ALU, two 8-bit timers, one 14 bits divider, maximum 32 pads for input or output, 8 interrupt sources and 8-level nesting for subroutine/interrupt applications. Speech unit, integrated as a single chip with maximum 128 seconds (based on 6.4K sample rate with 5 bits MDPCM), is capable of expanding to 512 seconds speech addressed by external memory W55XXX with serial bus interface. It can be implemented with Winbond Power Speech using MDPCM algorithm. Melody unit provides dual tone output and can store up to 1k notes. Power reduction mode is also built in to minimize power dissipation. It is ideal for educational toys, remote controllers and other application products which incorporate both melody and speech.

BODY	W536030P	W536060P	W536090P	W536120P
Voice	30 sec	60 sec	90 sec	120 sec
I/O pad	8I/O, 8I (RA/RB/RC/RD)	8I/O, 8I (RA/RB/RC/RD)	8I/O, 12I, 12O (RA/RB/RC/RD/RE/RF/RG/RH)	8I/O, 12I, 12O (RA/RB/RC/RD/RE/RF/RG/RH)
WDT disable/Enable (Mask Option)	Y	Y	Y	Y
Sub-clock RC/XTAL mode (Mask Option)	Y	Y	Y	Y
Tri-state serial bus (Mask Option)( 1)	Y	Y	Y	Y
Cascaded Voice through serial bus (2)	Y	Y	N	Y

Notes:

1. Tri-state serial bus mask option can float serial bus while voice playing is no active. Let this mask option is disabled to get minimum power consumption in general.
2. Cascaded Voice ROM user option help to expand voice up to 512 sec through serial bus by W55XXX chip.



## 2. FEATURES

- Operating voltage: 2.4 volt ~ 5.5 volt
- Watch dog disabled/enabled by mask option
- Dual clock operating system
  - Main clock with Ring/Crystal (400 KHz to 4 MHz)
  - Sub-clock with 32.768 KHz RC/Crystal by mask option
- Memory
  - Program ROM (P-ROM): 8 K × 20 (ROM Bank0)
  - Data RAM (W-RAM): 1K × 4 bit  
(RAM Bank 0 is 512 nibbles from 0: 000~0: 1FF and 0:380~0:3FF are mapped to special register.  
RAM Bank F is 512 nibbles from F: 200~F: 3FF either data RAM or dedicated to script kernel)
- Maximum 32 input/output pads
  - Ports for input only: 12 pads (RC, RD and RG port; RG for W536090P/120P only)
  - Ports for output only: 12 pads (RE, RF and RH port; RH for W536090P/120P only)
  - Ports for Input/output: 8 pads
- Power-down mode
  - Hold mode (except for 32KHz oscillator)
  - Stop mode (including 32KHz oscillator and release by RD or RC port)
- Eight types of interrupts
  - Five internal interrupts (Divider, Timer 0, Timer 1, Speech, Melody)
  - Three external interrupts (Port RC, RD, RA)
- One built-in 14-bit clock frequency divider circuit
- Two built-in 8-bit programmable countdown timers
  - Timer 0: one of two clock sources (FOSC/4 or FOSC/1024) can be selected
  - Timer 1: built-in auto-reload function includes internal timer, external event counter from RC.0
- Built-in 18/14-bit watchdog timer for system reset.
- Powerful instruction sets.
- 8-level subroutine (including interrupt) nesting

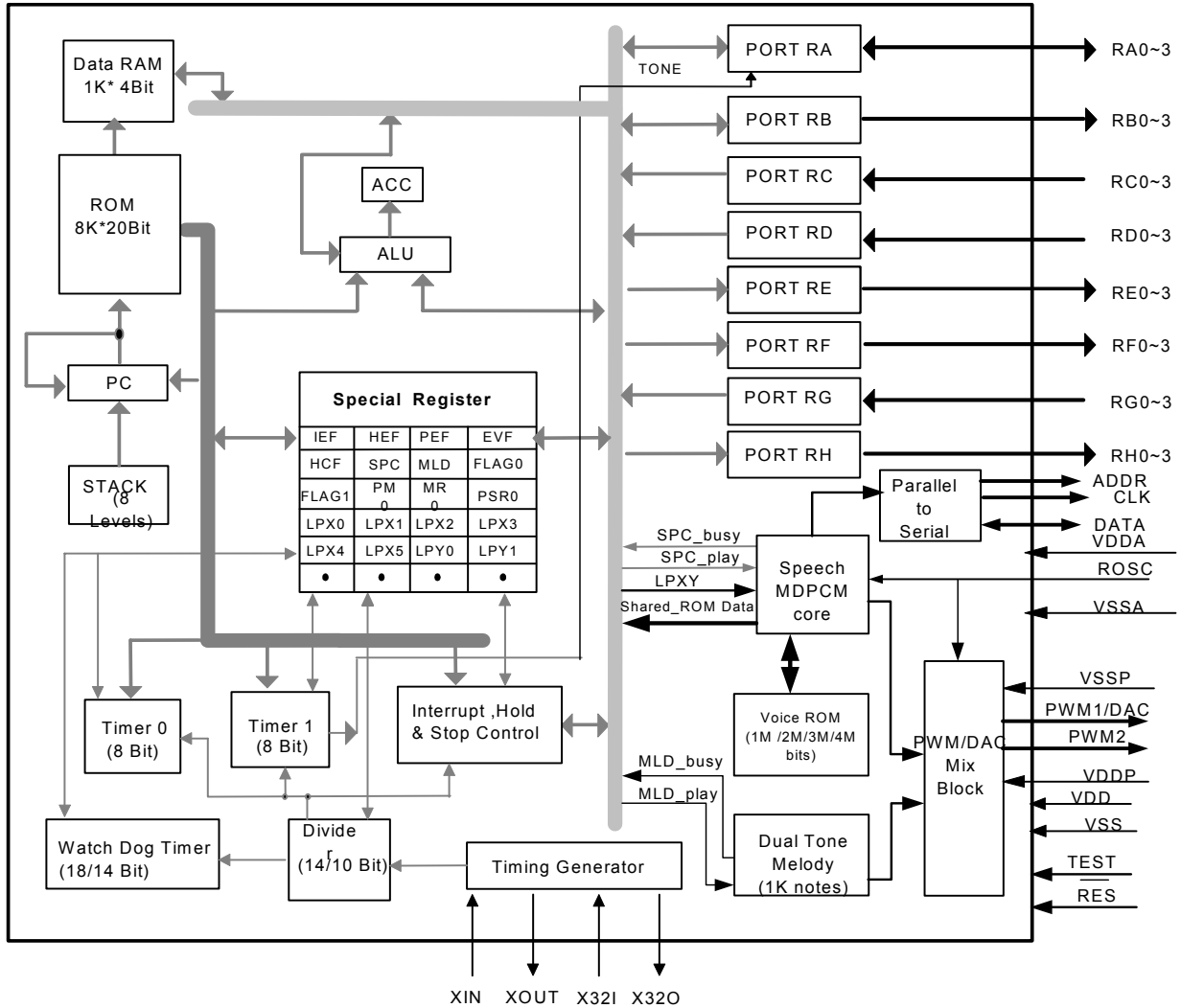
# W536030P/060P/090P/120P



- Speech function
  - Provided 1M / 2M/ 3M/ 4M bits Voice ROM for W536030P/060P/090P/120P based on 5 bits MDPCM algorithm
  - Voice ROM (V-ROM) available for uC data.
  - Maximum 8\*256 Label/Interrupt vector (voice section number) available
  - Provide two types of speech busy flag to either each GO or each trigger
  - Maximum up to 16M bits speech address capability interface with external memory W55XXX through serial bus.
- Melody function
  - Provide 1K notes (22bits/note) dedicated melody ROM
  - Provide two types of melody busy flag to uC either each note or each song
  - Provide 6 kinds of beat, 16 kinds of tempo, and pitch range from G3# to C7
  - Tremolo, triple frequency and 3 kinds of percussion available
  - Maximum 31 songs available
- Can mix speech with melody
- Multi-engine controller
- Direct driving speaker/buzzer or DAC output
- Chip On Board available



## 3. BLOCK DIAGRAM



#### 4. PAD DESCRIPTION

SYMBOL	I/O	FUNCTION
XIN/RXIN	I	Input pad for main clock oscillator. It can be connected to crystal when crystal mode is selected (SCR0.2=1), otherwise connect a resistor to VDD to generate main system clock while Ring mode is selected (SCR0.2=0 and default). Oscillator can be enabled or stopped by set SCR0.1 to 1 or clear to 0 separately. External capacitor connects to start oscillation and get more accurate clock when crystal mode
XOUT	O	Output pad for oscillator which is connected to another crystal pad when in crystal mode. External capacitor connects to start oscillation when in crystal mode.
X32I/RSUB1	I	32.768 KHz crystal input pad or external resistor node 1 <b>by mask option</b> . External 15~20pF capacitor connects to start oscillation and get more accurate clock when in crystal mode.
X32O/RSUB2	O	32.768 KHz crystal output pad or external resistor node 2 <b>by mask option</b> . External 15~20pF capacitor connects to start oscillation when in crystal mode.
RA0 ~ RA3/TONE (4)	I/O	General Input/Output port specified by PM1 register. If output mode is selected, PM0 register bit 0 can be used to specify CMOS/NMOS driving capability option. Initial state is input mode. RA3 may be uses as TONE if bit 0 of MR0 special register is set to logic 1. An interrupt source.
RB0 ~ RB3 (4)	I/O	General Input/Output port specified by PM2 register. If output mode is selected, PM0 register bit 1 can be used to specify CMOS/NMOS driving capability option. Initial state is input mode.
RC0 ~ RC3	I	4-bit schmitter input with internal pull high option specified by PM3 register bit 2. Each pad has an independent interrupt capability specified by PEFL special register. Interrupt and STOP mode wake up source. RC0 is also the external event counter source of Timer1.
RD0 ~ RD3	I	4-bit schmitter input port with internal pull high option specified by PM3 register bit 3. Each pad has an independent interrupt capability specified by PEFH special register. Interrupt and STOP mode wake up source.
RE0~RE3 (4)	O	Output port only. PM3 register bit 0 can be used to specify CMOS/NMOS driving capability option.
RF0~RF3 (4)	O	Output port only. PM3 register bit 1 can be used to specify CMOS/NMOS driving capability option.
RG0 ~ RG3	I	Input port with internal pull high option specified by PM6 register bit 0. (W536090P/W536120P only)
RH0 ~ RH3 (4)	O	Output port only. PM6 register bit 1 can be used to specify CMOS/NMOS driving capability option. (W536090P/W536120P only)
$\overline{\text{RES}}$	I	System reset pad, active low with internal pull-high resistor.

# W536030P/060P/090P/120P



PAD Description, continued

SYMBOL	I/O	FUNCTION
TEST	I	Test pad. Active high with internal pull low resistor.
ROSC	I	Connect resistor to VDD pad to generate speech or melody playing clock source.
PWM1/DAC	O	While speech or melody is active, PWM1/DAC is speaker direct driving output or DAC output controlled by voice output file.
PWM2	O	While speech or melody is active, PWM2 is another speaker direct driving output.
ADDR	O	External serial memory address write clock for voice extension.
CLK	O	External serial memory address read clock for voice extension.
DATA	I/O	External serial memory data in/out for voice extension.
VSS	I	Chip ground.
VSSP	I	Chip ground for PWM or DAC playing output.
VSSA (3)	I	Chip ground. (W536090P/120P only)
VDD	I	Power source.
VDDP	I	Power source for PWM or DAC playing output.
VDDA (3)	I	Power source. (W536090P/120P only)

Notes:

- (3). VDDA, VSSA for W536090P/120P only. To sure chip operation properly, please bond all VDD, VDDA, VDDP, VSS, VSSA and VSSP pads, and connect VSS, VSSP form chip external PCB circuit.
- (4). When working at NMOS open drain mode, external pull high voltage can't higher than VDD to avoid leakage current.

## 5. ELECTRICAL CHARACTERISTICS

### 5.1 Absolute Maximum Ratings

PARAMETER	RATING	UNIT
Supply Voltage to Ground Potential	-0.3 to +7.0	V
Applied Input/Output Voltage	-0.3 to +7.0	V
Power Dissipation	120	mW
Ambient Operating Temperature	0 to +70	°C
Storage Temperature	-55 to +150	°C

Note: Exposure to conditions beyond those listed under Absolute Maximum Ratings may adversely affect the life and reliability of the device.



## 5.2 DC Characteristics

( $V_{DD}-V_{SS} = 3.0V$ , No load, FM = 4 MHz with Ring mode,  $F_s = 32.768$  KHz, with Xtal mode,  $T_A = 25^\circ$  C unless otherwise specified)

PARAMETER	SYM.	CONDITIONS	MIN	TYP	MAX	UNIT
Op. Voltage	VDD		2.4		5.5	V
Op. Current (No Load, no Voice, no Melody)	IOP1	Dual clock with crystal	-	400	500	$\mu$ A
		Dual clock with Ring type		400	500	
		Sub-clock only		15	30	
Hold Mode Current	IOP2	Sub-clock active only		4	6	$\mu$ A
Stop Mode Current	IOP3				1	$\mu$ A
CLK/ADDR Output High Current	IoH1	Vout = 2.7V			-0.8	mA
CLK/ADDR Output low Current	IoL1	Vout = 0.4V			0.8	mA
Input Low Voltage	VIL	-	$V_{SS}$	-	0.3	$V_{DD}$
Input High Voltage	VIH	-	0.7	-	1	$V_{DD}$
Port RA, RB, RE, RF and RH Output Low Voltage	VABL	$I_{OL} = 2.0$ mA	-	-	0.4	V
Port RA, RB, RE, RF and RH Output High Voltage	VABH	$I_{OH} = -2.0$ mA	2.4	-	-	V
Pull-up Resistor	RCD	Port RC, RD, RG	200	300	400	K $\Omega$
RES Pull-up Resistor	RRES	-	50	100	200	K $\Omega$
PWM1/2 Source Current (4) ( $R_{LOAD} = 8\Omega$ between PWM1 And PWM2)	ISPH	Volume Option = 00		-20		mA
		Volume Option = 01		-70		
		Volume Option = 10		-110		
		Volume Option = 11		-135		
PWM1/2 Sink Current (4) ( $R_{LOAD} = 8\Omega$ between PWM1 And PWM2)	ISPL	Volume Option = 00		20		mA
		Volume Option = 01		70		
		Volume Option = 10		110		
		Volume Option = 11		135		
DAC output Current	IDAC	$V_{DD} = 3V$ , $R_L = 100\Omega$	-4	-5	-6	mA

Notes:

(4). PWM current deviation will be  $\pm 20\%$ .



# W536030P/060P/090P/120P



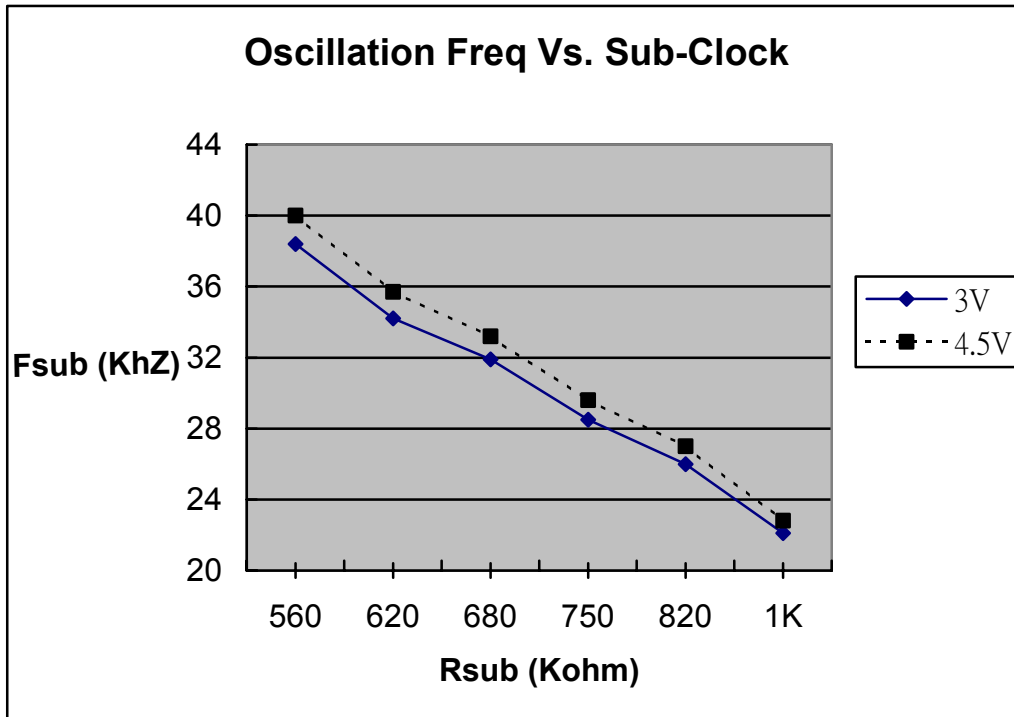
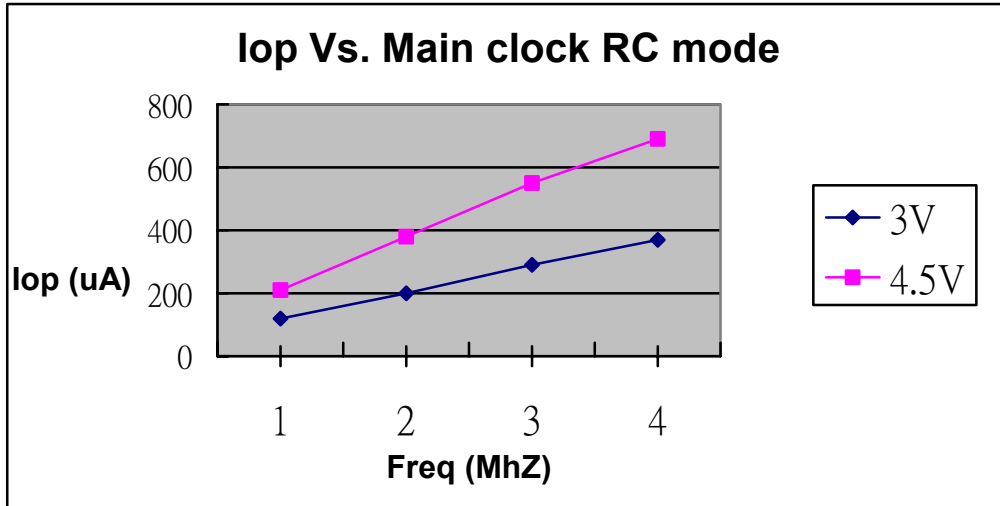
## 5.3 AC Characteristics

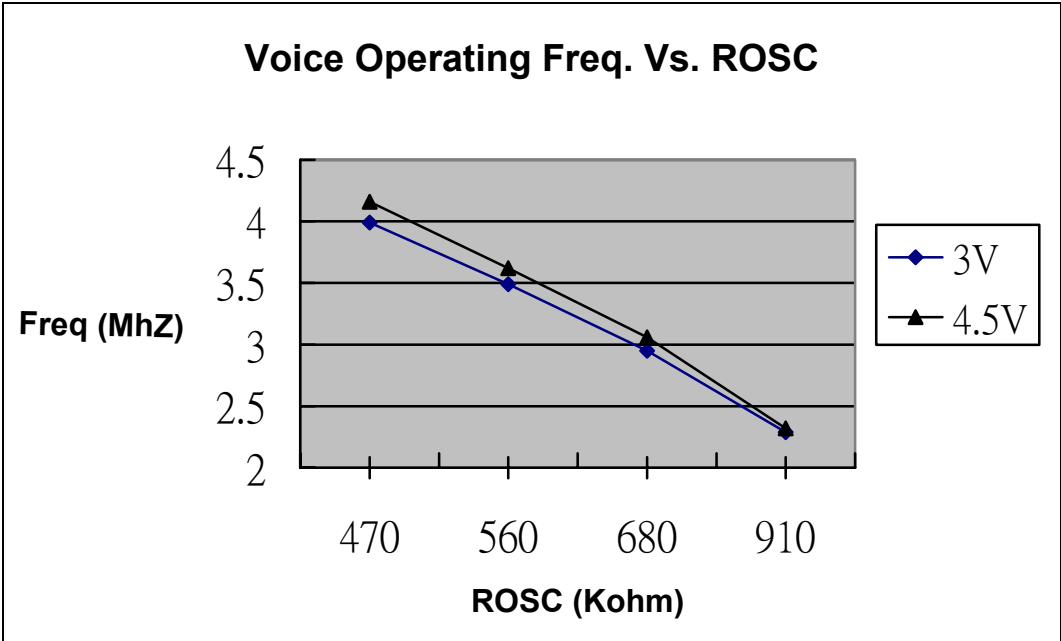
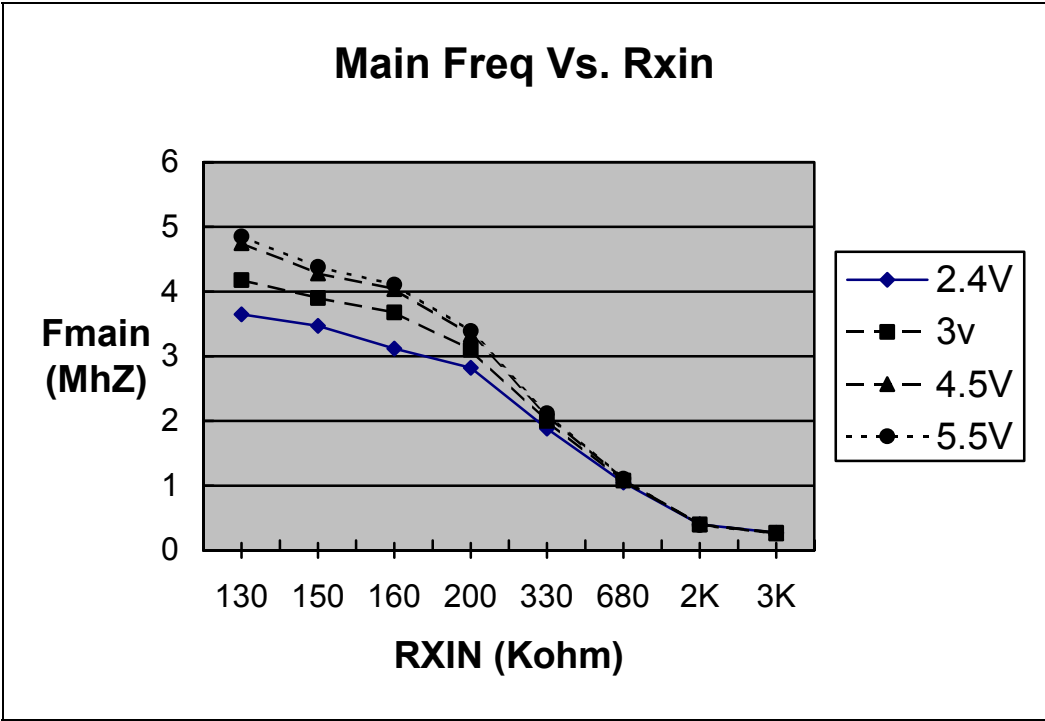
( $V_{DD}-V_{SS} = 3.0V$ , No load, FM = 4 MHz with Ring mode,  $F_s = 32.768$  KHz, with Xtal mode,  $T_A = 25^\circ$  C unless otherwise specified)

PARAMETER	SYM.	CONDITIONS	MIN.	TYP.	MAX.	UNIT
Sub-clock Frequency	F <sub>SUB</sub>	Crystal type and X32IN and X32O with 17pF external cap.		32768		Hz
Main-clock Frequency	FM	Ring type/Crystal type	400K	-	4M	Hz
Chip Operation Frequency	F <sub>OSC</sub>	SCR0.0 = 1, F <sub>SYS</sub> = F <sub>SUB</sub>		32768		Hz
		SCR0.0 = 0; F <sub>SYS</sub> = F <sub>MAIN</sub>	400K	-	4M	
Instruction Cycle Time	T <sub>CYC</sub>	One machine cycle	-	4/F <sub>OSC</sub>	-	S
Reset Active Width	T <sub>RAW</sub>	F <sub>OSC</sub> = 32.768 KHz	1	-	-	μS
Interrupt Active Width	T <sub>IAW</sub>	F <sub>OSC</sub> = 32.768 KHz	1	-	-	μS
Main clock Ring frequency	FR <sub>XIN</sub>	RXIN = 680KΩ		1M		Hz
		RXIN = 330KΩ		2M		
		RXIN = 200KΩ		3M		
		RXIN = 130KΩ		4M		
Sub-Clock RC Oscillator	FR <sub>SUB</sub>	R <sub>SUB</sub> = 680KΩ		32		KHz
Sub-Clock Oscillation Stable Time @ Cold Start	F <sub>STOP</sub>	R <sub>SUB</sub> = 680KΩ	0.8		1	S
Frequency Deviation of main-clock FR <sub>XIN</sub> ≤ 2 MHz	$\frac{\Delta f}{f}$	$\frac{f(3V) - f(2.4V)}{f(3V)}$			10	%
Frequency Deviation of main-clock FR <sub>XIN</sub> = 3 MHz	$\frac{\Delta f}{f}$	$\frac{f(3V) - f(2.4V)}{f(3V)}$			15	%
Frequency Deviation of main-clock FR <sub>XIN</sub> = 4 MHz	$\frac{\Delta f}{f}$	$\frac{f(3V) - f(2.4V)}{f(3V)}$			20	%
ROSC Frequency	F <sub>ROSC</sub>	R <sub>OSC</sub> = 680KΩ		3		MHz
Frequency Deviation of F <sub>ROSC</sub> = 3MHz	$\frac{\Delta f}{f}$	$\frac{f(3V) - f(2.4V)}{f(3V)}$			7.5	%

Notes:

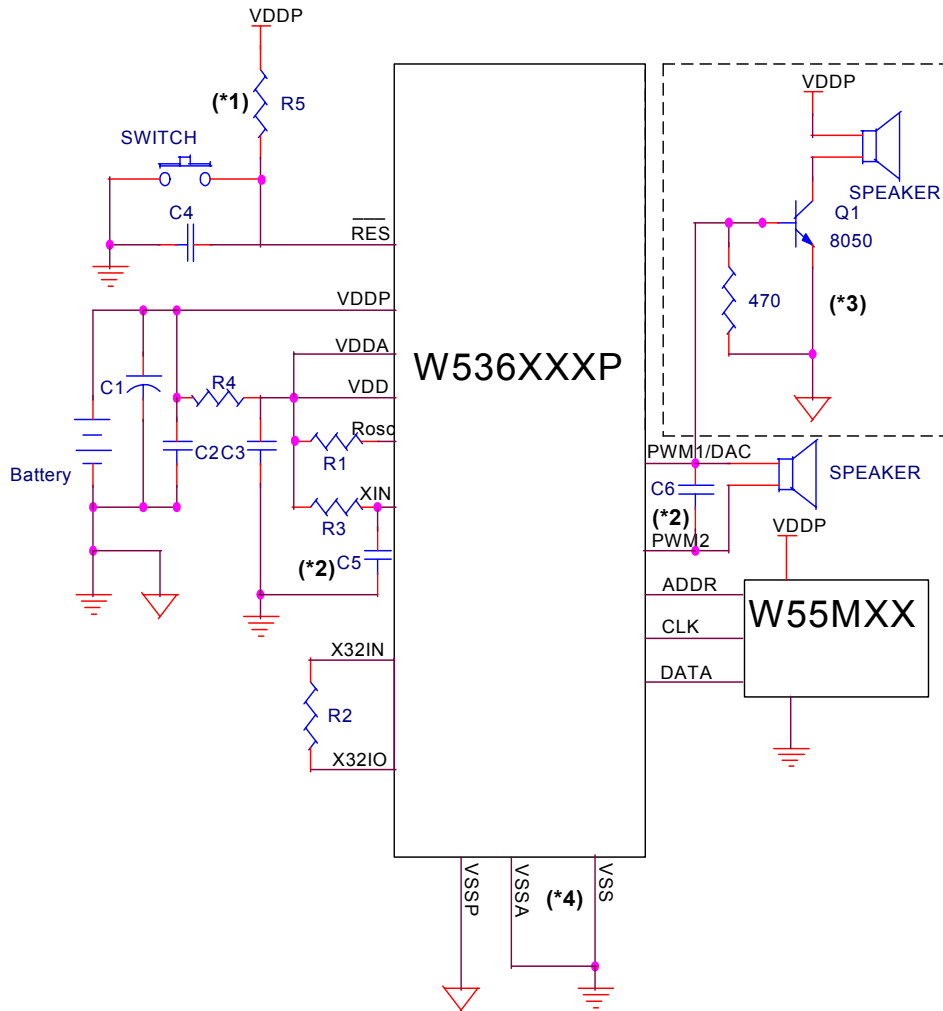
(5). The deviation will be +20% while  $V_{DD}$  drops from 5.5V to 2.4V based on same resistor





## 6. TYPICAL APPLICATION CIRCUITS

### 6.1 Sub Clock with RC Mode



COMPONENT	C1	C2-C4	C5-C6	C7-C8	R1	R2	R3	R4
Value	4.7uF	0.1uF	100pF	-	680KΩ	680KΩ	650KΩ/1MHz 350KΩ/2MHz 225KΩ/3MHz 160KΩ/4MHz	100Ω

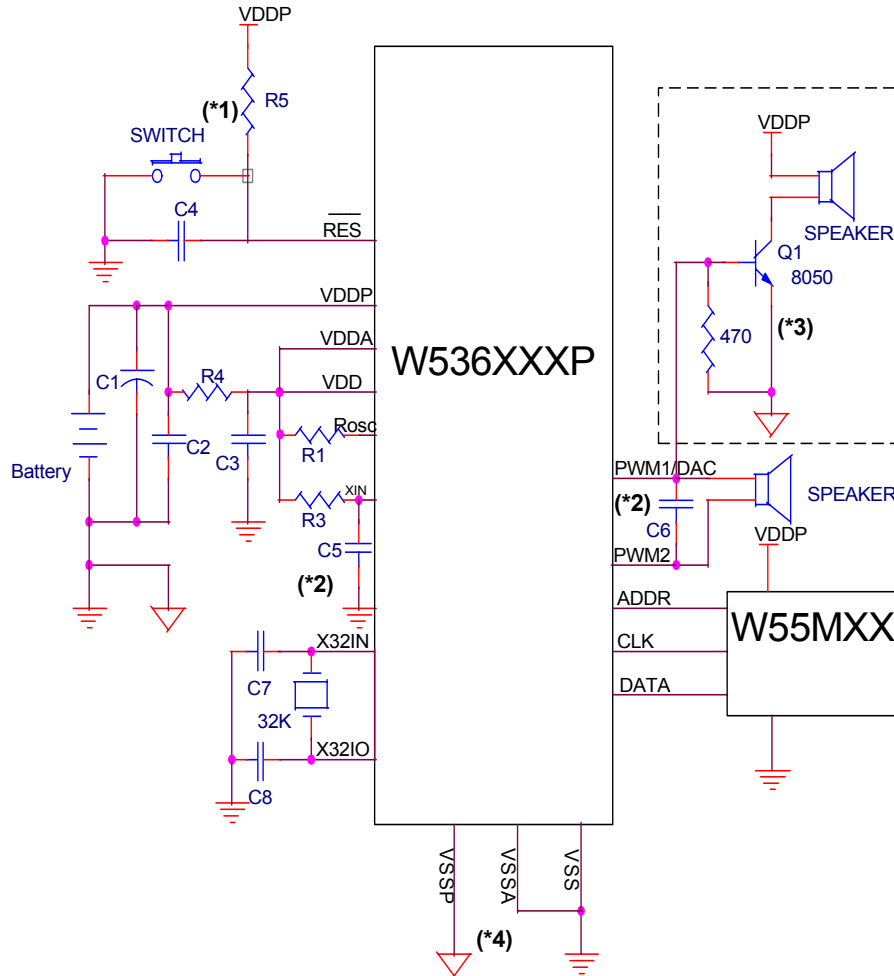
Notes:

- Option R5 equals to 100Ω if high noise immunity is needed.
- For DAC option application.
- To ensure that three batteries function well in W536F20 demo board. C<sub>6</sub> should stay close to pad PWM/PWM2 at its best. Under the mask ROM version, C<sub>5</sub> and C<sub>6</sub> can be skipped.
- Sure chip operation properly, please bond all V<sub>D</sub>DP, V<sub>D</sub>DA, V<sub>D</sub>D, V<sub>S</sub>SP, V<sub>S</sub>SA and V<sub>S</sub>S; and connect V<sub>S</sub>SP pad to V<sub>S</sub>S from external PCB circuit. V<sub>D</sub>DA, V<sub>S</sub>SA are only for W536090P/120P.

# W536030P/060P/090P/120P



## 6.2 Sub Clock with Xtal Mode



COMPONENT	C1	C2~C4	C5~C6	C7~C8	R1	R2	R3	R4
Value	4.7uF	0.1uF	100pF	15~30PF	680KΩ	-	650KΩ/1MHz 350KΩ/2MHz 225KΩ/3MHz 160KΩ/4M/Hz	100Ω

Notes:

- Option R5 equals to 100Ω if high noise immunity is needed.
- For DAC option application.
- To ensure that three batteries function well in W536F20 demo board. C<sub>6</sub> should stay close to pad PWM/PWM2 at its best. Under the mask ROM version, C<sub>5</sub> and C<sub>6</sub> can be skipped.
- Sure chip operation properly, please bond all V<sub>DDP</sub>, V<sub>DDA</sub>, V<sub>DD</sub>, V<sub>SSP</sub>, V<sub>SSA</sub> and V<sub>SS</sub>; and connect V<sub>SSP</sub> pad to V<sub>SS</sub> from external PCB circuit. V<sub>DDA</sub>, V<sub>SSA</sub> are only for W536090P/120P.



## 7. REVISION HISTORY

VERSION	DATE	WRITER	DESCRIPTION
A1	April 19, 2000	Judy Kuo	(10)W536060A to 12io only, and external speech shared RD port except W536120X Part No
A2	Aug. 7, 2000	Jimmy Chen	• Speech Function Modify
A3	Jun. 1, 2001	Jimmy Chen	• Speech Function Modify
A4	May 21, 2003	Jimmy Chen	• Modify some errors and add "Tri-state serial bus" mask option and cascaded voice ROM function



**Headquarters**  
No. 4, Creation Rd. III,  
Science-Based Industrial Park,  
Hsinchu, Taiwan  
TEL: 886-3-5770066  
FAX: 886-3-5665577  
<http://www.winbond.com.tw/>

**Taipei Office**  
9F, No.480, Rueiguang Rd.,  
Neihu District, Taipei, 114,  
Taiwan, R.O.C.  
TEL: 886-2-8177-7168  
FAX: 886-2-8751-3579

**Winbond Electronics Corporation America**  
2727 North First Street, San Jose,  
CA 95134, U.S.A.  
TEL: 1-408-9436666  
FAX: 1-408-5441798

**Winbond Electronics Corporation Japan**  
7F Daini-ueno BLDG, 3-7-18  
Shinyokohama Kohoku-ku,  
Yokohama, 222-0033  
TEL: 81-45-4781881  
FAX: 81-45-4781800

**Winbond Electronics (Shanghai) Ltd.**  
27F, 2299 Yan An W. Rd. Shanghai,  
200336 China  
TEL: 86-21-62365999  
FAX: 86-21-62365998

**Winbond Electronics (H.K.) Ltd.**  
Unit 9-15, 22F, Millennium City,  
No. 378 Kwun Tong Rd.,  
Kowloon, Hong Kong  
TEL: 852-27513100  
FAX: 852-27552064

*Please note that all data and specifications are subject to change without notice.  
All the trade marks of products and companies mentioned in this data sheet belong to their respective owners.*

Information contained in this publication regarding device applications and the like is intended for suggestion only and may be superseded updates. No representation or warranty is given and no liability is assumed by Winbond Electronics Corp. with respect to the accuracy or use of such information, or infringement of patents or other intellectual property.