

**ULS-2064H THROUGH ULS-2077H
1.25 A QUAD DARLINGTON SWITCHES**

MIL-STD-883 Compliant

FEATURES

- TTL, DTL, PMOS, or CMOS Compatible Units
- Transient-Protected Outputs
- Hermetically Sealed Packages
- High-Reliability Screening to MIL-STD-883, Class B

INTENDED FOR MILITARY, aerospace, and related applications, ULS-2064H through ULS-2077H quad Darlington switches interface between low-level logic and a variety of peripheral power loads such as relays, solenoids, dc and stepping motors, multiplexed LED and incandescent displays, heaters, and similar loads of up to 400 watts (1.25 A per output, 80 V, 12.5% duty cycle, +50°C). The devices are specified with a minimum output breakdown of 50 volts (35 volts sustaining at 100 mA) or 80 volts (50 volts sustaining), and a saturated output current specification of 1.25 A.

The ULS-2064/65/68/69H switches are designed for use with TTL, DTL, Schottky TTL, and 5 V CMOS logic. The ULS-2066/67/70/77H are intended for use with 6 V to 15 V CMOS and PMOS logic. These devices include integral transient-suppression diodes for use with inductive loads.

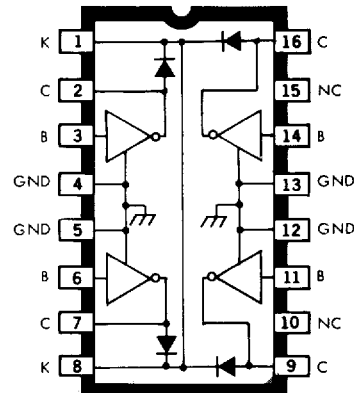
Types ULS-2068H and ULS-2069H incorporate a pre-driver stage operating from a low-current, 5 V

supply. The pre-driver for the ULS-2070H and ULS-2071H operates from a low-current, 12 V supply. The input drive requirements for these devices are reduced while still allowing the outputs to switch currents up to 1.5 A.

The ULS-2074H through ULS-2077H switches are intended for use in emitter-follower applications. These circuits are identical with the ULS-2064H through ULS-2067H except for the uncommitted emitters and the omission of the suppression diodes.

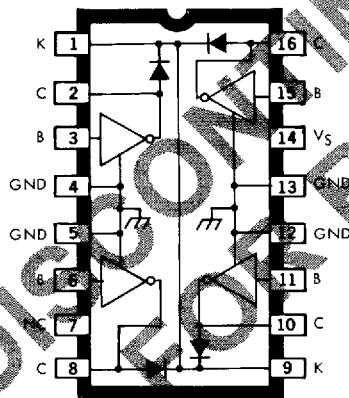
Reverse-bias burn-in and 100% high-reliability screening are standard for all side-brazed hermetic

Continued next page



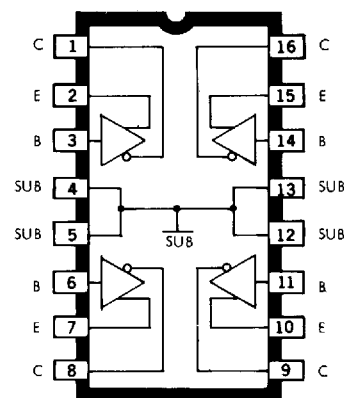
Dwg. No. A-11,025

ULS-2064H—ULS-2067H



Dwg. No. A-11,026

ULS-2068H—ULS-2071H



Dwg. No. A-11,027

ULS-2074H—ULS-2077H

ULS-2064H THROUGH ULS-2077H 1.25 A QUAD DARLINGTON SWITCHES

integrated circuits from Sprague Electric Company. Those devices previously manufactured as the ULS-2064H through ULS-2077H are now screened to the additional requirements of MIL-STD-883, Class B, and are so marked.

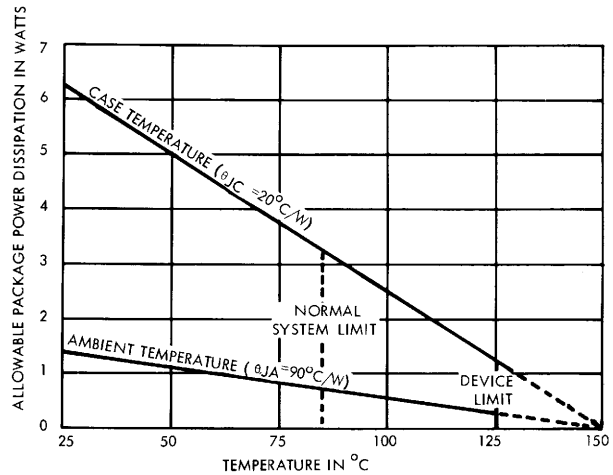
These quad Darlington switches are supplied in 16-pin glass/metal side-brazed hermetic packages.

On special order, economical ceramic/glass cer-DIP hermetic packages can be specified by changing the part number suffix from 'H' to 'R'. Both package styles conform to the dimensional requirements of MIL-M-38510 and are rated for operation over the military temperature range of -55°C to $+125^{\circ}\text{C}$.

ABSOLUTE MAXIMUM RATINGS at 25°C Free-Air Temperature for any one driver (unless otherwise noted)

Output Voltage, V_{CEX} See Below
 Output Sustaining Voltage, $V_{\text{CE(SUS)}}$ See Below
 Output Current, I_{OUT} (Note 1) 1.5 A
 Input Voltage, V_{IN} (Note 2) See Below
 Input Current, I_{B} (Note 3) 25 mA
 Supply Voltage, V_{S} (ULS-2068/69H) 10 V
 (ULS-2070/71H) 20 V
 Total Package Power Dissipation See Graph
 Power Dissipation, P_{D} /Output 2.2 W
 Operating Ambient Temperature Range, T_{A} . -55°C to $+125^{\circ}\text{C}$
 Storage Temperature Range, T_{S} -65°C to $+150^{\circ}\text{C}$

ALLOWABLE PACKAGE POWER DISSIPATION AS A FUNCTION OF TEMPERATURE



Dwg. No. A-10.198A

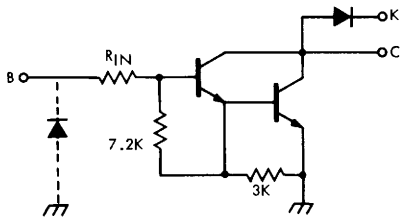
Type Number	V_{CEX} (Max.)	$V_{\text{CE(SUS)}}$ (Min.)	V_{IN} (Max.)	Application
ULS-2064H	50 V	35 V	15 V	TTL, DTL, Schottky TTL, and 5 V CMOS
ULS-2065H	80 V	50 V	15 V	6 to 15 V CMOS and PMOS
ULS-2066H	50 V	35 V	30 V	TTL, DTL, Schottky TTL, and 5 V CMOS
ULS-2067H	80 V	50 V	30 V	6 to 15 V CMOS and PMOS
ULS-2068H	50 V	35 V	15 V	TTL, DTL, Schottky TTL, and 5 V CMOS
ULS-2069H	80 V	50 V	15 V	6 to 15 V CMOS and PMOS
ULS-2070H	50 V	35 V	30 V	General-Purpose
ULS-2071H	80 V	50 V	30 V	6 to 15 V CMOS and PMOS
ULS-2074H	50 V	35 V	30 V	6 to 15 V CMOS and PMOS
ULS-2075H	80 V	50 V	60 V	6 to 15 V CMOS and PMOS
ULS-2076H	50 V	35 V	30 V	6 to 15 V CMOS and PMOS
ULS-2077H	80 V	50 V	60 V	6 to 15 V CMOS and PMOS

Notes:

1. Allowable combinations of output current, number of outputs conducting, and duty cycle are shown on following pages.
2. Input voltage is with reference to the substrate (no connection to any other pins) for the ULS-2074/75/76/77H, reference is ground for all other types.
3. Input current may be limited by maximum allowable input voltage.

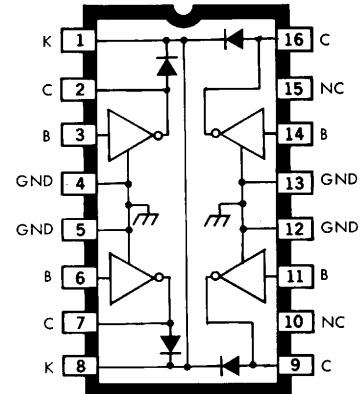
ULS-2064H THROUGH ULS-2067H

PARTIAL SCHEMATIC



Dwg. No. A-10,353

ULS-2064H $R_{IN} = 350 \Omega$
 ULS-2065H
 ULS-2066H $R_{IN} = 3 \text{ k}\Omega$
 ULS-2067H

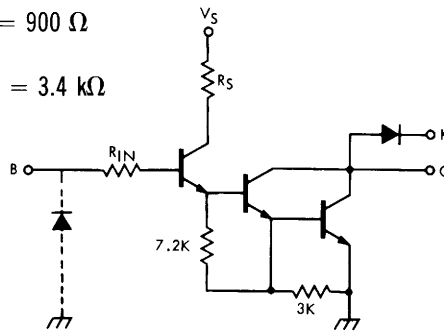


Dwg. No. A-11,025

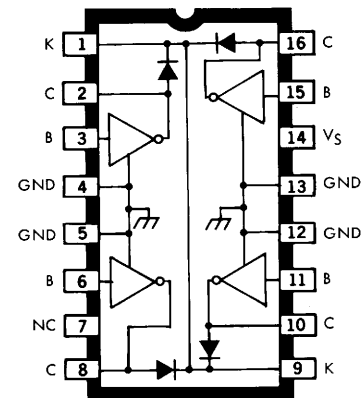
ULS-2068H THROUGH ULS-2071H

PARTIAL SCHEMATIC

ULS-2068H $R_{IN} = 2.5 \text{ k}\Omega$, $R_S = 900 \Omega$
 ULS-2069H
 ULS-2070H $R_{IN} = 11.6 \text{ k}\Omega$, $R_S = 3.4 \text{ k}\Omega$
 ULS-2071H



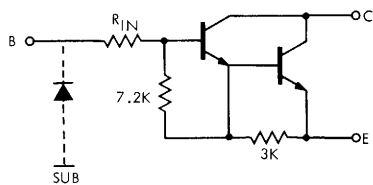
Dwg. No. A-10,354



Dwg. No. A-11,026

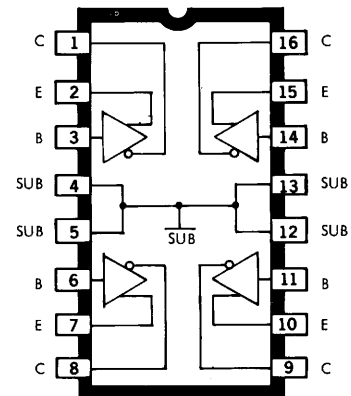
ULS-2074H THROUGH ULS-2077H

PARTIAL SCHEMATIC



Dwg. No. A-10,355

ULS-2074H $R_{IN} = 350 \Omega$
 ULS-2075H
 ULS-2076H $R_{IN} = 3 \text{ k}\Omega$
 ULS-2077H



Dwg. No. A-11,027

ULS-2064H THROUGH ULS-2067H

ELECTRICAL CHARACTERISTICS over operating temperature range (unless otherwise noted)

Characteristic	Symbol	Applicable Devices	Test Conditions			Limits		
			Temp.	Electrical Conditions	Fig.	Min.	Max.	Units
Output Leakage Current	I_{CEX}	ULS-2064/66H		$V_{CE} = 50\text{ V}$	1	—	500	μA
		ULS-2065/67H		$V_{CE} = 80\text{ V}$	1	—	500	μA
Output Sustaining Voltage	$V_{CE(SUS)}$	ULS-2064/66H		$I_C = 100\text{ mA}, V_{IN} = 0.4\text{ V}$	2	35	—	V
		ULS-2065/67H		$I_C = 100\text{ mA}, V_{IN} = 0.4\text{ V}$	2	50	—	V
Collector-Emitter Saturation Voltage	$V_{CE(SAT)}$	All	-55°C	$I_C = 500\text{ mA}, I_B = 1.1\text{ mA}$	3	—	1.35	V
				$I_C = 750\text{ mA}, I_B = 1.7\text{ mA}$	3	—	1.55	V
				$I_C = 1.0\text{ A}, I_B = 2.25\text{ mA}$	3	—	1.75	V
				$I_C = 1.25\text{ A}, I_B = 3.75\text{ mA}$	3	—	1.95	V
			+25°C	$I_C = 500\text{ mA}, I_B = 625\text{ }\mu\text{A}$	3	—	1.20	V
				$I_C = 750\text{ mA}, I_B = 935\text{ }\mu\text{A}$	3	—	1.35	V
				$I_C = 1.0\text{ A}, I_B = 1.25\text{ mA}$	3	—	1.55	V
				$I_C = 1.25\text{ A}, I_B = 2.0\text{ mA}$	3	—	1.75	V
			+125°C	$I_C = 500\text{ mA}, I_B = 625\text{ }\mu\text{A}$	3	—	1.35	V
				$I_C = 750\text{ mA}, I_B = 935\text{ }\mu\text{A}$	3	—	1.55	V
				$I_C = 1.0\text{ A}, I_B = 1.25\text{ mA}$	3	—	1.75	V
				$I_C = 1.25\text{ A}, I_B = 2.0\text{ mA}$	3	—	1.95	V
Input Current	$I_{IN(ON)}$	ULS-2064/65H		$V_{IN} = 2.4\text{ V}$	4	—	4.3	mA
				$V_{IN} = 3.75\text{ V}$	4	—	9.6	mA
		ULS-2066/67H		$V_{IN} = 5.0\text{ V}$	4	—	1.8	mA
				$V_{IN} = 12\text{ V}$	4	—	5.2	mA
Input Voltage	$V_{IN(ON)}$	ULS-2064/65H	-55°C	$V_{CE} = 2.0\text{ V}, I_C = 1.0\text{ A}$	5	—	3.1	V
			+25°C	$V_{CE} = 2.0\text{ V}, I_C = 1.0\text{ A}$	5	—	2.0	V
		ULS-2066/67H	-55°C	$V_{CE} = 2.0\text{ V}, I_C = 1.0\text{ A}$	5	—	11.5	V
			+25°C	$V_{CE} = 2.0\text{ V}, I_C = 1.0\text{ A}$	5	—	6.5	V
Turn-On Delay	t_{pHL}	All	+25°C		9	—	1.0	μs
Turn-Off Delay	t_{pLH}	All	+25°C		9	—	1.5	μs
Clamp Diode Leakage Current	I_R	ULS-2064/66H		$V_R = 50\text{ V}$	6	—	100	μA
		ULS-2065/67H		$V_R = 80\text{ V}$	6	—	100	μA
Clamp Diode Forward Voltage	V_F	All		$I_F = 1.25\text{ A}$	7	—	2.1	V

ULS-2068H THROUGH ULS-2071H

ELECTRICAL CHARACTERISTICS over operating temperature range,
 $V_s = 5.0\text{ V}$ (ULS-2068/69H) or $V_s = 12\text{ V}$ (ULS-2070/71H), (unless otherwise noted)

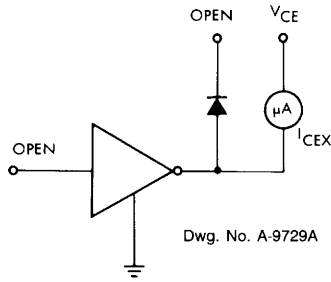
Characteristic	Symbol	Applicable Devices	Test Conditions			Limits					
			Temp.	Electrical Conditions	Fig.	Min.	Max.	Units			
Output Leakage Current	I_{CEX}	ULS-2068/70H		$V_{CE} = 50\text{ V}$	1	—	500	μA			
		ULS-2069/71H		$V_{CE} = 80\text{ V}$	1	—	500	μA			
Output Sustaining Voltage	$V_{CE(SUS)}$	ULS-2068/70H		$I_C = 100\text{ mA}, V_{IN} = 0.4\text{ V}$	2	35	—	V			
		ULS-2069/71H		$I_C = 100\text{ mA}, V_{IN} = 0.4\text{ V}$	2	50	—	V			
Collector-Emitter Saturation Voltage	$V_{CE(SAT)}$	ULS-2068/69H	- 55°C	$I_C = 500\text{ mA}, V_{IN} = 3.2\text{ V}$	3	—	1.35	V			
				$I_C = 750\text{ mA}, V_{IN} = 3.2\text{ V}$	3	—	1.55	V			
				$I_C = 1.0\text{ A}, V_{IN} = 3.2\text{ V}$	3	—	1.75	V			
				$I_C = 1.25\text{ A}, V_{IN} = 3.2\text{ V}$	3	—	1.95	V			
			+ 25°C	$I_C = 500\text{ mA}, V_{IN} = 2.9\text{ V}$	3	—	1.20	V			
				$I_C = 750\text{ mA}, V_{IN} = 2.9\text{ V}$	3	—	1.35	V			
				$I_C = 1.0\text{ A}, V_{IN} = 2.9\text{ V}$	3	—	1.55	V			
				$I_C = 1.25\text{ A}, V_{IN} = 2.9\text{ V}$	3	—	1.75	V			
			+ 125°C	$I_C = 500\text{ mA}, V_{IN} = 2.8\text{ V}$	3	—	1.35	V			
				$I_C = 750\text{ mA}, V_{IN} = 2.8\text{ V}$	3	—	1.55	V			
				$I_C = 1.0\text{ A}, V_{IN} = 2.8\text{ V}$	3	—	1.75	V			
				$I_C = 1.25\text{ A}, V_{IN} = 2.8\text{ V}$	3	—	1.95	V			
		ULS-2070/71H	- 55°C	$I_C = 500\text{ mA}, V_{IN} = 5.5\text{ V}$	3	—	1.35	V			
				$I_C = 750\text{ mA}, V_{IN} = 5.5\text{ V}$	3	—	1.55	V			
				$I_C = 1.0\text{ A}, V_{IN} = 5.5\text{ V}$	3	—	1.75	V			
				$I_C = 1.25\text{ A}, V_{IN} = 5.5\text{ V}$	3	—	1.95	V			
			+ 25°C	$I_C = 500\text{ mA}, V_{IN} = 5.1\text{ V}$	3	—	1.20	V			
				$I_C = 750\text{ mA}, V_{IN} = 5.1\text{ V}$	3	—	1.35	V			
				$I_C = 1.0\text{ A}, V_{IN} = 5.1\text{ V}$	3	—	1.55	V			
				$I_C = 1.25\text{ A}, V_{IN} = 5.1\text{ V}$	3	—	1.75	V			
			+ 125°C	$I_C = 500\text{ mA}, V_{IN} = 5.0\text{ V}$	3	—	1.35	V			
				$I_C = 750\text{ mA}, V_{IN} = 5.0\text{ V}$	3	—	1.55	V			
				$I_C = 1.0\text{ A}, V_{IN} = 5.0\text{ V}$	3	—	1.75	V			
				$I_C = 1.25\text{ A}, V_{IN} = 5.0\text{ V}$	3	—	1.95	V			
Input Current	$I_{IN(ON)}$	ULS-2068/69H	- 55°C	$V_{IN} = 3.2\text{ V}$	4	—	600	μA			
			+ 25°C	$V_{IN} = 2.75\text{ V}$	4	—	550	μA			
			+ 125°C	$V_{IN} = 2.75\text{ V}$	4	—	850	μA			
			+ 125°C	$V_{IN} = 3.75\text{ V}$	4	—	1400	μA			
		ULS-2070/71H		$V_{IN} = 5.0\text{ V}$	4	—	400	μA			
				$V_{IN} = 12\text{ V}$	4	—	1250	μA			
			Input Voltage	$V_{IN(ON)}$	ULS-2068/69H	- 55°C	$V_{CE} = 2.0\text{ V}, I_C = 1.0\text{ A}$	5	—	3.2	V
						+ 25°C	$V_{CE} = 2.0\text{ V}, I_C = 1.0\text{ A}$	5	—	2.75	V
ULS-2070/71H	- 55°C	$V_{CE} = 2.0\text{ V}, I_C = 1.0\text{ A}$	5	—	5.0	V					
	+ 25°C	$V_{CE} = 2.0\text{ V}, I_C = 1.0\text{ A}$	5	—	5.0	V					
Supply Current	I_S	ULS-2068/69H		$I_C = 500\text{ mA}, V_{IN} = 3.2\text{ V}$	8	—	6.0	mA			
		ULS-2070/71H		$I_C = 500\text{ mA}, V_{IN} = 5.0\text{ V}$	8	—	4.5	mA			
Turn-On Delay	t_{PHL}	All	+ 25°C		9	—	1.0	μs			
Turn-Off Delay	t_{PLH}	All	+ 25°C		9	—	1.5	μs			
Clamp Diode Leakage Current	I_R	ULS-2068/70H		$V_R = 50\text{ V}$	6	—	100	μA			
		ULS-2069/71H		$V_R = 80\text{ V}$	6	—	100	μA			
Clamp Diode Forward Voltage	V_F	All		$I_F = 1.25\text{ A}$	7	—	2.1	V			

ULS-2074H THROUGH ULS-2077H

ELECTRICAL CHARACTERISTICS over operating temperature range (unless otherwise noted)

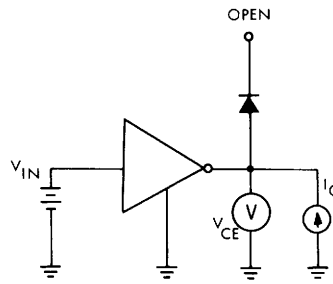
Characteristic	Symbol	Applicable Devices	Test Conditions			Limits		
			Temp.	Electrical Conditions	Fig.	Min.	Max.	Units
Output Leakage Current	I_{CEX}	ULS-2074/76H		$V_{CE} = 50\text{ V}$	1	—	500	μA
		ULS-2075/77H		$V_{CE} = 80\text{ V}$	1	—	500	μA
Output Sustaining Voltage	$V_{CE(SUS)}$	ULS-2074/76H		$I_C = 100\text{ mA}, V_{IN} = 0.4\text{ V}$	2	35	—	V
		ULS-2075/77H		$I_C = 100\text{ mA}, V_{IN} = 0.4\text{ V}$	2	50	—	V
Collector-Emitter Saturation Voltage	$V_{CE(SAT)}$	All	- 55°C	$I_C = 500\text{ mA}, I_B = 1.1\text{ mA}$	3	—	1.35	V
				$I_C = 750\text{ mA}, I_B = 1.7\text{ mA}$	3	—	1.55	V
				$I_C = 1.0\text{ A}, I_B = 2.25\text{ mA}$	3	—	1.75	V
				$I_C = 1.25\text{ A}, I_B = 3.75\text{ mA}$	3	—	1.95	V
			+ 25°C	$I_C = 500\text{ mA}, I_B = 625\text{ }\mu\text{A}$	3	—	1.20	V
				$I_C = 750\text{ mA}, I_B = 935\text{ }\mu\text{A}$	3	—	1.35	V
				$I_C = 1.0\text{ A}, I_B = 1.25\text{ mA}$	3	—	1.55	V
				$I_C = 1.25\text{ A}, I_B = 2.0\text{ mA}$	3	—	1.75	V
			+ 125°C	$I_C = 500\text{ mA}, I_B = 625\text{ }\mu\text{A}$	3	—	1.35	V
				$I_C = 750\text{ mA}, I_B = 935\text{ }\mu\text{A}$	3	—	1.55	V
				$I_C = 1.0\text{ A}, I_B = 1.25\text{ mA}$	3	—	1.75	V
				$I_C = 1.25\text{ A}, I_B = 2.0\text{ mA}$	3	—	1.95	V
Input Current	$I_{IN(ON)}$	ULS-2074/75H		$V_{IN} = 2.4\text{ V}$	4	—	4.3	mA
				$V_{IN} = 3.75\text{ V}$	4	—	9.6	mA
		ULS-2076/77H		$V_{IN} = 5.0\text{ V}$	4	—	1.8	mA
				$V_{IN} = 12\text{ V}$	4	—	5.2	mA
Input Voltage	$V_{IN(ON)}$	ULS-2074/75H	- 55°C	$V_{CE} = 2.0\text{ V}, I_C = 1.0\text{ A}$	5	—	3.1	V
			+ 25°C	$V_{CE} = 2.0\text{ V}, I_C = 1.0\text{ A}$	5	—	2.0	V
		ULS-2076/77H	- 55°C	$V_{CE} = 2.0\text{ V}, I_C = 1.0\text{ A}$	5	—	11.5	V
			+ 25°C	$V_{CE} = 2.0\text{ V}, I_C = 1.0\text{ A}$	5	—	6.5	V
Turn-On Delay	t_{PHL}	All	+ 25°C		9	—	1.0	μs
Turn-Off Delay	t_{PLH}	All	+ 25°C		9	—	1.5	μs

TEST FIGURES



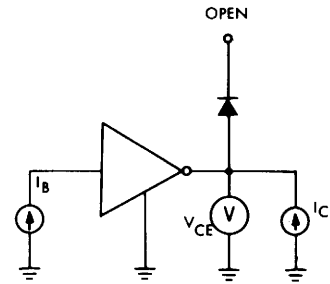
Dwg. No. A-9729A

Figure 1



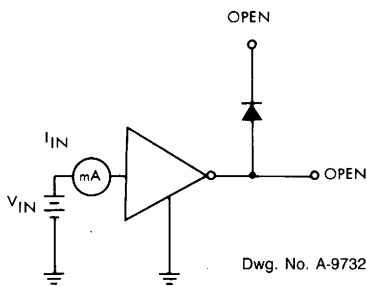
Dwg. No. A-10,350

Figure 2



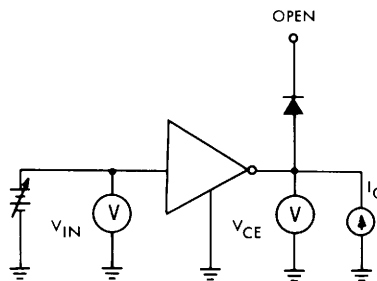
Dwg. No. A-10,349

Figure 3



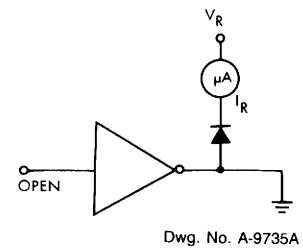
Dwg. No. A-9732

Figure 4



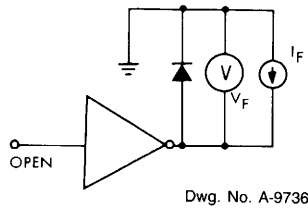
Dwg. No. A-9734A

Figure 5



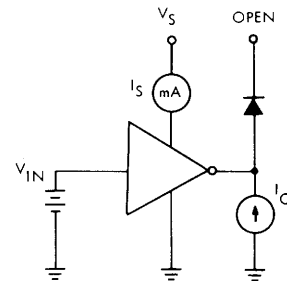
Dwg. No. A-9735A

Figure 6



Dwg. No. A-9736

Figure 7

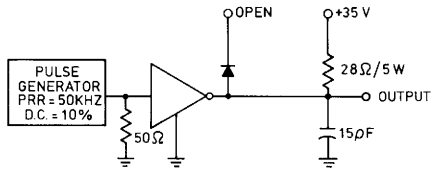


Dwg. No. A-10,351

Figure 8

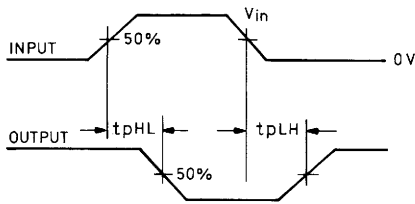
NOTE: Diodes not applicable to Types ULS-2074H through ULS-2077H.

ULS-2064H THROUGH ULS-2077H
1.25 A QUAD DARLINGTON SWITCHES



Dwg. No. A-13,247

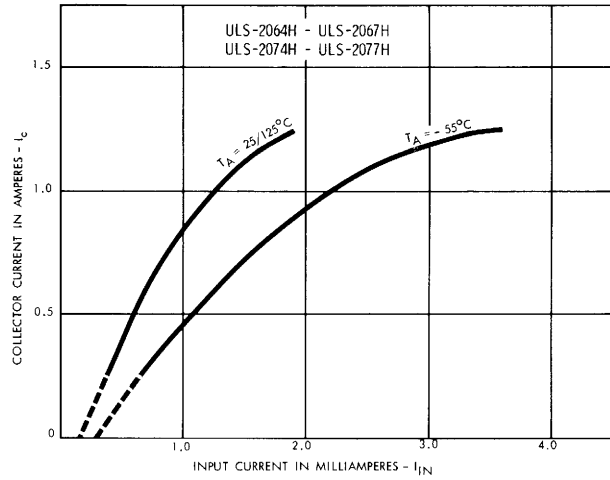
ULS-2064/65/68/69/74/75H $\frac{V_{in}}{2.4V}$
 ULS-2066/67/70/71/76/77H $5.0V$



Dwg. No. A-13,248

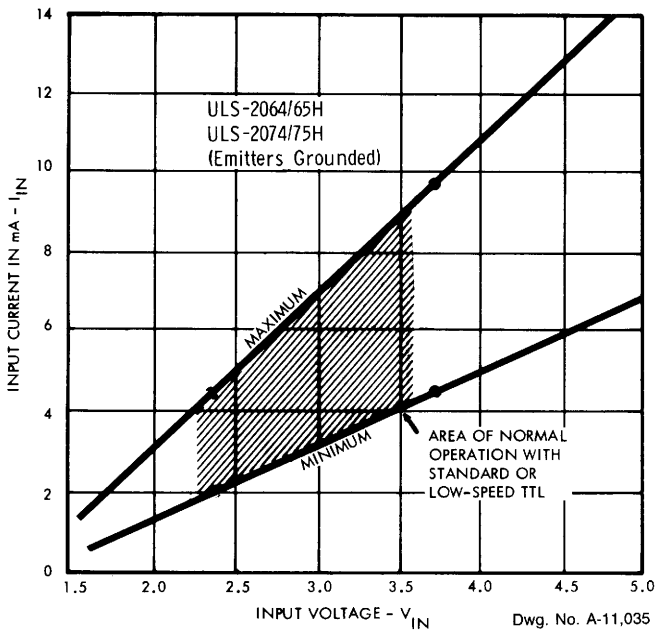
Figure 9

COLLECTOR CURRENT
AS A FUNCTION OF INPUT CURRENT

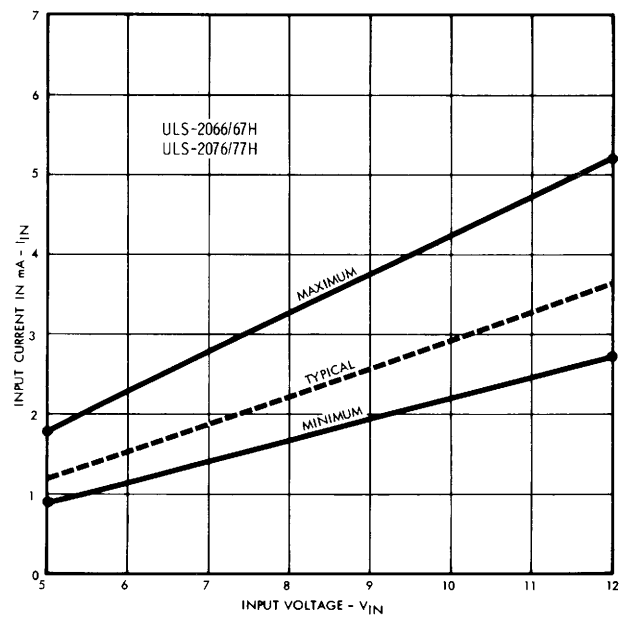


Dwg. No. A-11,030

INPUT CURRENT AS A FUNCTION OF INPUT VOLTAGE

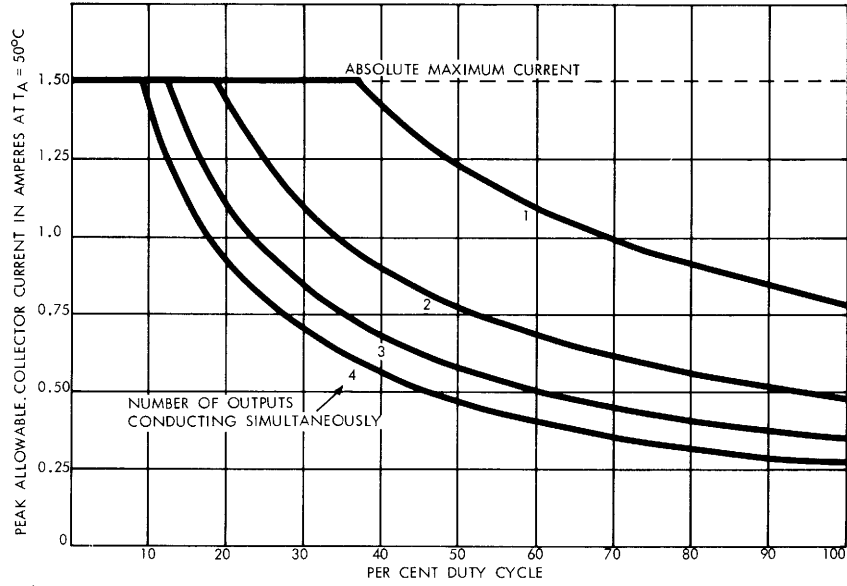


Dwg. No. A-11,035



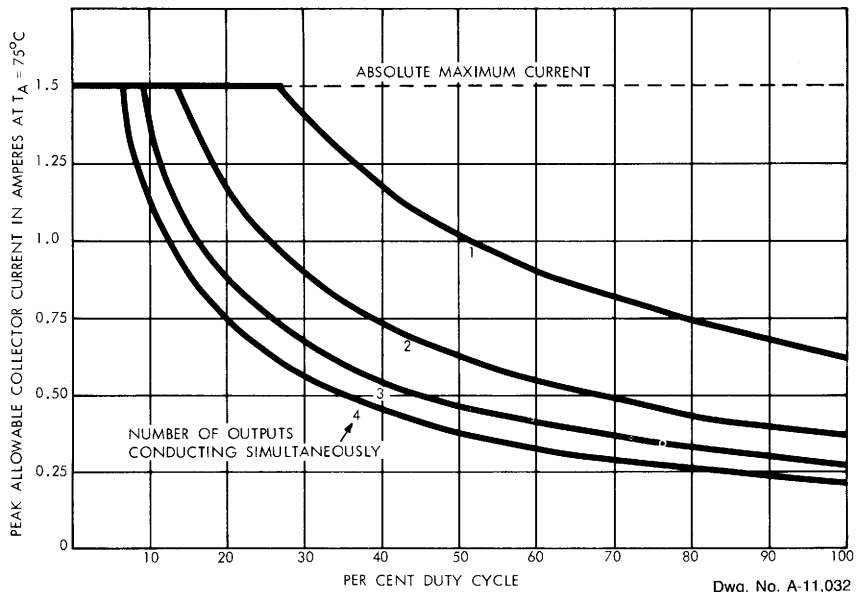
**ALLOWABLE PEAK COLLECTOR CURRENT
AS A FUNCTION OF DUTY CYCLE**

AT $T_A = +50^\circ\text{C}$



Dwg. No. A-11,031

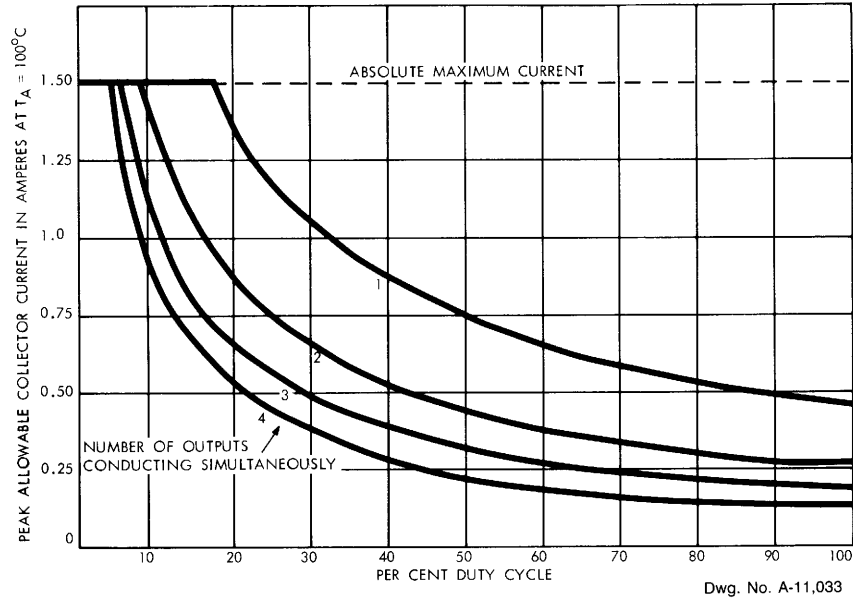
AT $T_A = +75^\circ\text{C}$



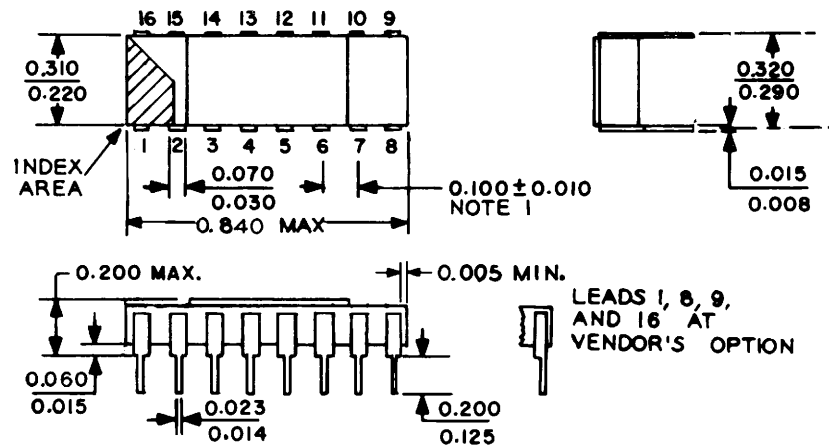
Dwg. No. A-11,032

ALLOWABLE PEAK COLLECTOR CURRENT
AS A FUNCTION OF DUTY CYCLE

AT $T_A = +100^\circ\text{C}$



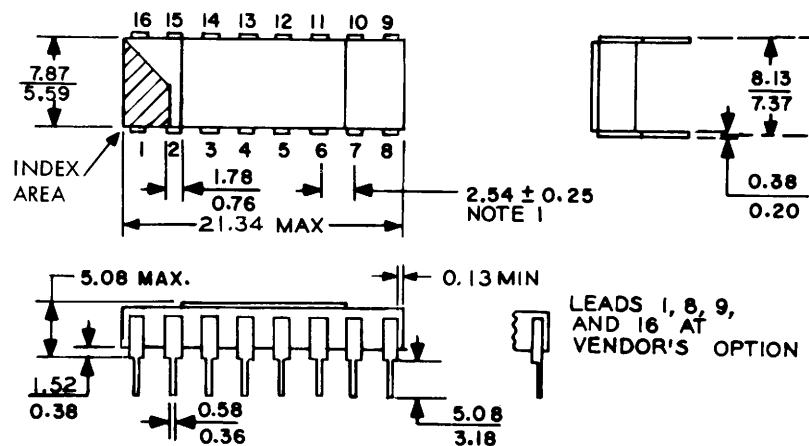
DIMENSIONS IN INCHES



Dwg. No. A-10,210C IN

DIMENSIONS IN MILLIMETERS

(Based on 1" = 25.4 mm)



Dwg. No. A-10,211B MM

This package conforms to military specification MIL-M-38510, case outline D-2, Configuration 3.

NOTES:

1. Lead spacing tolerances is non-cumulative.
2. Exact body and lead configuration at vendor's option within limits shown.
3. Lead gauge plane is 0.030" (0.76 mm), maximum below seating plane.

SALES OFFICES

UNITED STATES

ALABAMA

EPI Inc.
Suite 13 — 9694 Hwy. 20 W
Madison 35758
Tel. 205/461-7000

Electramark Inc.

Suite 21
3322 South Memorial Parkway
Huntsville 35801
Tel. 205/883-9948

ARIZONA

Sprague Electric Company
Suite 209 — 1819 S. Dobson Rd.
Mesa 85202 — 0590
Tel. 602/244-0154
Tel. 602/831-6762

Sprague Electric Company

Suite 601
1150 E. Pennsylvania Street
Tucson 85714 — 1640
Tel. 602/746-0955

CALIFORNIA (Metro. L.A.)

Sprague Electric Company
Suite 150 — 3100 S. Harbor Blvd.
Santa Ana 92704
Tel. 714/549-9913

Sprague Electric Company

Suite 459
15350 Sherman Way
Van Nuys 91406
Tel. 818/994-6500

Sprague Electric Company

Suite 126
4300 Stevens Creek Boulevard
San Jose 95129 — 1249
Tel. 408/241-7111

(Northern)

William J. Purdy Company
770 Airport Blvd.
Burlingame 94010 — 1927
Tel. 415/347-7701

(San Diego)

Miner Associates, Inc.
Suite 117 — 10721 Treenna Street
San Diego 92131 — 1009
Tel. 619/566-9891

COLORADO

William J. Purdy Company
5570 E. Yale Ave.
Denver 80222 — 6907
Tel. 303/753-6800

Todd & Fry Associates

P.O. Box 1689
Longmont 80502 — 1689
Tel. 303/776-7331

CONNECTICUT

Sprague Electric Company
88 Main Street South
Southbury 06488
Tel. 203/264-9595

Sprague Electric Company

120 Hartford Turnpike South
P.O. Box 578
Wallingford 06492 — 0578
Tel. 203/284-8300

Data Mark Inc.

47 Clapboard Hill Road
Guilford 06437 — 2261
Tel. 203/453-0575

DIST. OF COLUMBIA

Sprague Electric Company
Suite 311
14333 Laurel-Bowie Road
Laurel, MD 20708 — 1130
Tel. 301/953-1717

Trinkle Sales Inc.

P.O. Box 5320
Cherry Hill, NJ 08034 — 0460
Tel. 609/795-4200

FLORIDA

Sprague Electric Company
P.O. Box 1410
Altamonte Springs 32715 — 1410
Tel. 305/831-3636

Sprague Electric Company

Suite 419 — 1500 N.W. 62nd Street
Ft. Lauderdale 33309 — 1802
Tel. 305/491-7411

Sprague Electric Company

Suite T, Building 501
8001 North Dale Mabry
Tampa 33614 — 3265
Tel. 813/935-8203

GEORGIA

Electramark Inc.
6030 — I Unity Drive
Norcross 30071 — 3583
Tel. 404/446-7915

Electronic Marketing Associates

Suite 101
6695 Peachtree Industrial Blvd.
Atlanta 30360 — 2116
Tel. 404/448-1215

ILLINOIS (Northern)

Sprague Electric Company
Suite 410 — 1480 Renaissance Dr.
Park Ridge 60068 — 1386
Tel. 312/296-6620

(Southern)

EPI Inc.
Suite 201 — 103 W. Lockwood
St. Louis, MO 63119 — 2915
Tel. 314/962-1411

INDIANA

Sprague Electric Company
Suite 290 — 8200 Haverstick Road
Indianapolis 46240
Tel. 317/253-4247

IOWA

J. R. Sales Engineering, Inc.
1930 St. Andrews, N. E.
Cedar Rapids 52402
Tel. 319/393-2232

KANSAS

EPI Inc.
Suite 201 — 103 W. Lockwood
St. Louis, MO 63119 — 2915
Tel. 314/962-1411

MARYLAND

Sprague Electric Company
Suite 311
14333 Laurel-Bowie Road
Laurel 20708 — 1130
Tel. 301/792-4890

Trinkle Sales Inc.

P.O. Box 5320
Cherry Hill, NJ 08034 — 0460
Tel. 609/795-4200

MASSACHUSETTS

Sprague Electric Company
10 Burr St.
Framingham 01701 — 4617
Tel. 617/875-3200

Ray Perron & Co., Inc.

P.O. Box 389
Needham 02192 — 0009
Tel. 617/449-6162

MICHIGAN

Sprague Electric Company
Suite 301 — 2155 Jackson Road
Ann Arbor 48103 — 3917
Tel. 313/761-2014

MINNESOTA

HMR, Inc.
9065 Lyndale Ave. South
Minneapolis 55420 — 3520
Tel. 612/888-2122

MISSISSIPPI

EPI Inc.
Suite 64
3322 South Memorial Pkwy
Huntsville, AL 35801 — 5335
Tel. 205/883-0520

MISSOURI

EPI Inc.
Suite 201 — 103 W. Lockwood
St. Louis 63119 — 2915
Tel. 314/962-1411

NEBRASKA

J. R. Sales Engineering, Inc.
1930 St. Andrews, N. E.
Cedar Rapids, Iowa 52402
Tel. 319/393-2232

NEW HAMPSHIRE

Ray Perron & Co., Inc.
1 Elm St.
Dover 03820 — 3910
Tel. 603/742-2321

NEW JERSEY (Northern)

Sprague Electric Company
P.O. Box 1612
Wayne 07470 — 0701
Tel. 201/696-8200

(Southern)

Trinkle Sales Inc.
P.O. Box 5320
Cherry Hill 08034 — 0460
Tel. 609/795-4200

NEW MEXICO

William J. Purdy Company
120 LaVeta Drive NE
Albuquerque 87108 — 1613
Tel. 505/266-7959

NEW YORK (Downstate)

Sprague Electric Company
2001 Palmer Ave.
Larchmont 10538 — 2420
Tel. 914/834-4439

(Long Island)

Sprague Electric Company
P.O. Box 541
Central Islip 11722 — 0541
Tel. 516/234-8700

(Upstate)

Sprague Electric Company
2002 Teal Ave.
Syracuse 13206 — 1542
Tel. 315/437-7311

Paston-Hunter Co., Inc.

2002 Teal Ave.
Syracuse 13206 — 1596
Tel. 315/437-2843

NORTH CAROLINA

Sprague Electric Company
9741-M Southern Pine Blvd.
Charlotte 28210 — 5560
Tel. 704/527-1306

Electronic Marketing Associates

9225 Honeycutt Creek Rd.
Raleigh 27609 — 1523
Tel. 919/847-8800

OHIO

Sprague Electric Company
Suite 330 — 555 Metro Place North
Dublin 43017 — 1375
Tel. 614/761-1881

OREGON

Sprague Electric Company
Suite H
16111 S.E. McGillivray Boulevard
Vancouver, WA 98664 — 9025
Tel. 503/225-0493
Tel. 206/892-0361

OREGON (continued)

William J. Purdy Company
7799 Southwest Cirrus Drive
Beaverton 97005 — 5945
Tel. 503/641-9373

PENNSYLVANIA

Trinkle Sales Inc.
P.O. Box 5320
Cherry Hill, NJ 08034 — 0460
Tel. Phila. 215/922-2080

SOUTH CAROLINA

Electronic Marketing Associates
210 W. Stone Ave.
Greenville 29609 — 5499
Tel. 803/233-4637

TENNESSEE (Eastern)

Electronic Marketing Associates
9225 Honeycutt Creek Road
Raleigh, NC 27609 — 1523
Tel. 919/847-8800

(Western)

EPI Inc.
Suite 13 — 9694 Hwy. 20 W
Madison, AL 35758
Tel. 205/461-7000

TEXAS

Sprague Electric Company
Suite 220
9319 LBJ Freeway
Dallas 75243 — 3403
Tel. 214/235-1256

Sprague Electric Company

Suite 350W — 1106 Clayton Lane
Austin 78723 — 1033
Tel. 512/458-2514

UTAH

William J. Purdy Company
5570 E. Yale Avenue
Denver, CO 80222 — 6907
Tel. 303/753-6800

VIRGINIA

Sprague Electric Company
1 East Preston St.
Lexington 24450 — 2324
Tel. 703/463-9161

Sprague Electric Company

Suite 311
14333 Laurel-Bowie Road
Laurel, MD 20708 — 1130
Tel. 301/953-1717

Trinkle Sales Inc.

P.O. Box 5320
Cherry Hill, NJ 08034 — 0460
Tel. 609/795-4200

WASHINGTON

Sprague Electric Company
3826 Woodland Park, North
Seattle 98103 — 7996
Tel. 206/632-7761

Sprague Electric Company

Suite H
16111 S.E. McGillivray Blvd.
Vancouver 98664
Tel. 206/892-0361
Tel. 503/225-0493

William J. Purdy Company

4082-148th Ave. N.E.
Redmond 98052 — 5165
Tel. 206/882-3144

WISCONSIN

D. Dolin Sales
131 West Layton Ave.
Milwaukee 53207 — 5991
Tel. 414/482-1111

CANADA

Sprague Electric of Canada, Ltd.

Suite 220
2375 Steeles Avenue, W.
Downsview, Ontario M3J 3A8
Tel. 416/665-6066

CANADA (continued)

Sprague Electric of Canada, Ltd.
Suite 1610 — 85 Albert St.
Ottawa, Ont. K1P 6A4
Tel. 613/238-2542

Lenbrook Electronics

Suite No. 2
13696 104th Ave
Surrey, B.C. V3T1W4
Tel. 604/585-9599

EUROPE

Sprague World Trade Corp.

18 Avenue Louis Casar
1209 Geneva
Switzerland
Tel. 98-4021
TLX 845-23469

Sprague Benelux

Excelsiorlaan 21
Bus 3
1930 Zaventem
Belgium
Tel. 02/721 48 60
TLX 62897

Sprague Electric (U.K.) Ltd.

Airtech No. 2
Fleming Way
Crawley West Sussex RH 102 YQ
England
Tel. 293-51-78-78
TLX 877813

Sprague France S.A.R.L.

3 Rue Camille Desmoulins
9430 Cachan
France
Tel. (1) 547-6600
TLX 250697

Sprague Elektronik GmbH

Postfach 700 848
D 6 Frankfurt/M
West Germany
Tel. 069-60551
TLX 414008

Sprague Italiana S.p.A.

Via G. DeCastro 4
20144 Milano
Italy
Tel. 02-498-7891
TLX 332321

Sprague Scandinavia AB

Box 54
S-182 71 Stocksund
Sweden
Tel. (04) 08-8502 20
TLX 854 15239

FAR EAST

Sprague World Trade Corp.

Eastern Branch
G.P.O. Box 4289
Hong Kong
Tel. 0-283188
TLX 43395

Sprague Japan K.K.

Shinjuku KB Bldg.
11-3, Nishi-Shinjuku 6-Chome
Shinjuku-ku, Tokyo 160
Japan
Tel. (03) 348-5221
TLX J23328

Tecnomil Ltd.

Sprague Korea Branch
4th Fl., Daiyoung Bldg.,
44 1, Yoido-Dong
Youngdongpo-Ku, Seoul, Korea
Tel. (2) 783-9784
TLX 78726186

Sprague World Trade Corp.

Singapore Office
11th Floor, 450/452 Inchoape House
Alexandra Road
Singapore 0511
Tel. 475-1826
TLX RS 26384

**Sprague Taiwan Branch/
Tecnomil, Ltd.**

8/F, 142, Sec 4
Chung Hsiao East Road
Taipei, Taiwan, R.O.C.
Tel. 771-9582
TLX 21422

In the construction of the components described, the full intent of the specification will be met. The Sprague Electric Company, however, reserves the right to make, from time to time, such departures from the detail specifications as may be required to permit improvements in the design of its products. Components made under military approvals will be in accordance with the approval requirements.

The information included herein is believed to be accurate and reliable. However, the Sprague Electric Company assumes no responsibility for its use; nor for any infringements of patents or other rights of third parties which may result from its use.

8348