

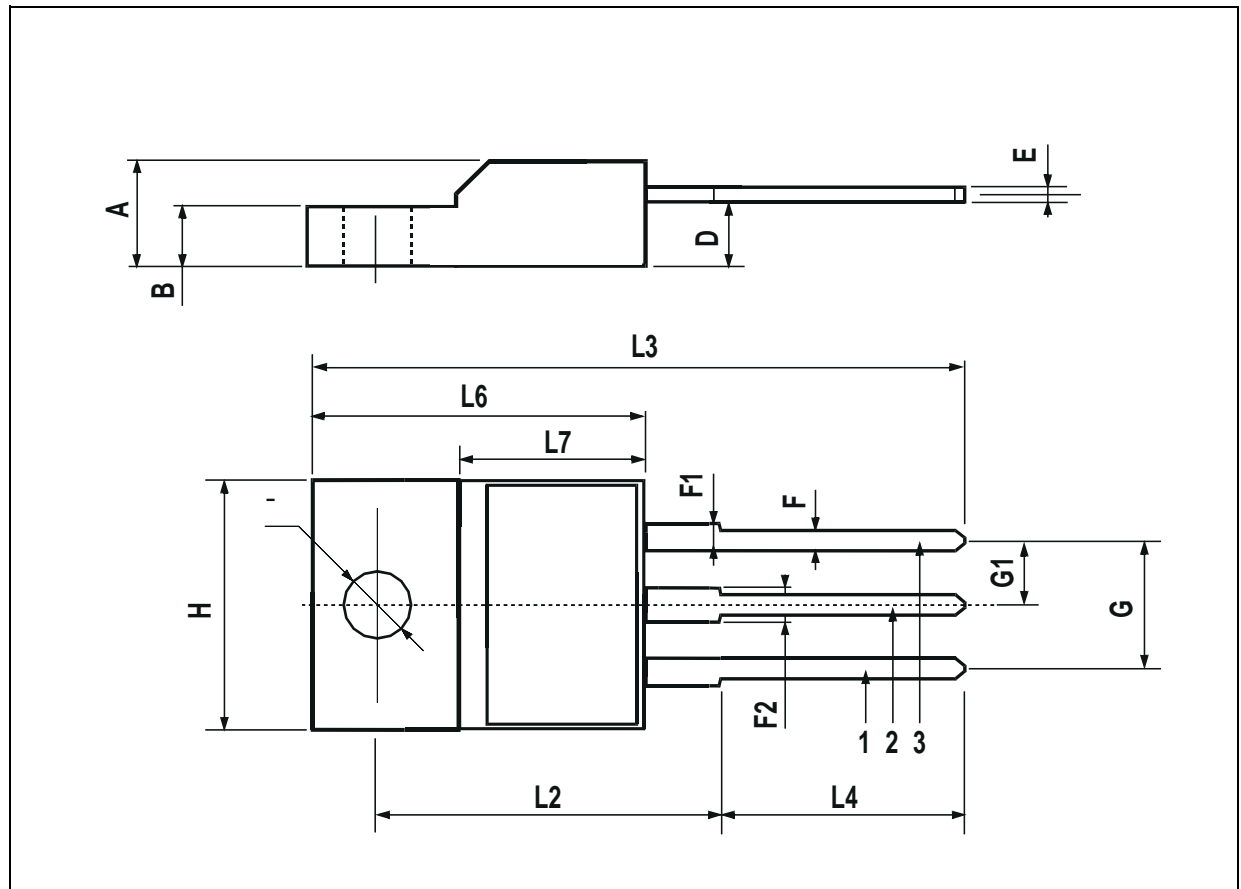
DIMENSIONS						
REF.	mm			inch		
	MIN.	TYP.	MAX.	MIN.	TYP.	MAX.
A	4.40		4.60	0.173		0.181
B	2.5		2.7	0.098		0.106
D	2.5		2.75	0.098		0.108
E	0.45		0.70	0.017		0.027
F	0.75		1	0.030		0.039
F1	1.15		1.50	0.045		0.059
F2	1.15		1.50	0.045		0.059
G	4.95		5.2	0.194		0.204
G1	2.4		2.7	0.094		0.106
H	10.0		10.40	0.393		0.409
L2		16			0.630	
L3	28.6		30.6	1.126		1.204
L4	9.8		10.6	0.385		0.417
L6	15.9		16.4	0.626		0.645
L7	9		9.3	0.354		0.366
DIA.	3		3.2	0.118		0.126



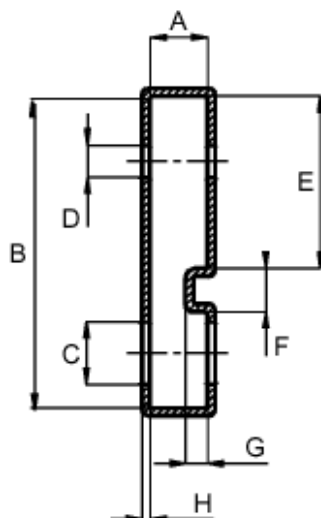
**TRANSISTOR
OUTLINE PACKAGE**

Weight: 2.04g

TO-220FP



TUBE SHIPMENT INFORMATION



TUBE MECHANICAL DATA		
	mm.	inch
A	5.50	0.217
B	31.40 ±0.20	1.236 ±0.008
C	5.90 ±0.10	0.230 ±0.004
D	3.10 ±0.05	0.122 ±0.002
E	16.80 ±0.20	0.661 ±0.008
F	3.90	0.154
G	2.10	0.087
H	0.75 ±0.10	0.030 ±0.004

BASE QUANTITY	50 pcs.
BULK QUANTITY	1000 pcs.