

**RED****TOSHIBA T-1¾ InGaAlP Ultra Bright LED**

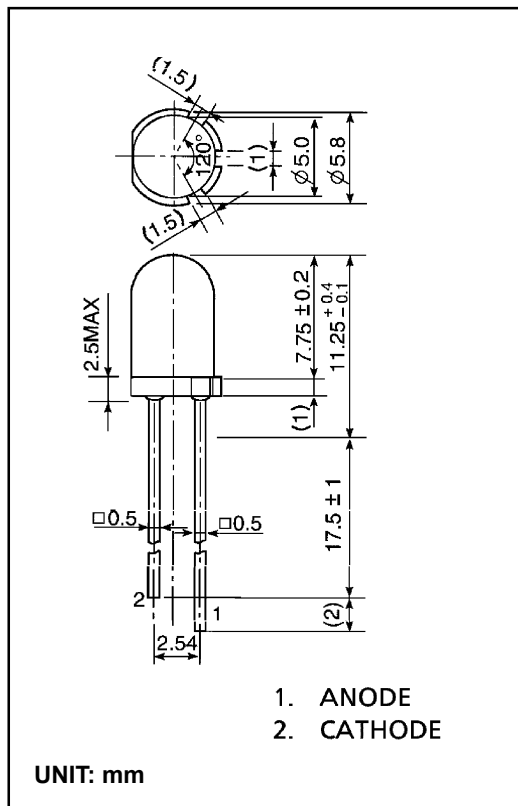
# TLRME16TP

## Product Features -

- InGaAlP Technology
- T-1¾ (5 mm) Package
- Water Clear Lens

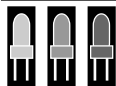
## MAXIMUM RATINGS (Ta = 25°C)

CHARACTERISTIC	SYMBOL	RATING	UNIT
Forward Current	$I_F$	50	mA
Reverse Voltage	$V_R$	4	V
Power Dissipation	$P_D$	120	mW
Operating Temperature	$T_{opr}$	-40 ~ 120	°C
Storage Temperature	$T_{stg}$	-40 ~ 120	°C



## OPTO-ELECTRICAL CHARACTERISTICS (Ta = 25°C)

CHARACTERISTIC	SYMBOL	TEST CONDITION	MIN.	TYP.	MAX.	UNIT
Forward Voltage	$V_F$	$I_F = 20\text{mA}$	—	1.9	2.4	V
Reverse Current	$I_R$	$V_R = 4\text{V}$	—	—	50	$\mu\text{A}$
Luminous Intensity	$I_v$	$I_F = 20\text{mA}$	272	1200	—	mcd
Viewing Angle	$2\theta_{1/2}$	—	—	24	—	°
Peak Wavelength	$\lambda_p$	$I_F = 20\text{mA}$	—	636	—	nm
Dominant Wavelength	$\lambda_d$	$I_F = 20\text{mA}$	—	626	—	nm
Spectral Line Half Width	$\Delta\lambda$	$I_F = 20\text{mA}$	—	23	—	nm



**marktech**  
**optoelectronics**

120 Broadway • Menands, New York 12204

Toll Free: (800) 98-4LEDS • Fax: (518) 432-7454

## TLRME16TP Graphs -

