

VI TELEFILTER**Preliminary specification****TFS 465 1/5****Measurement condition**

Ambient temperature: 23 °C
 Input power level: 0 dBm
 Terminating impedances:
 input: 336 Ω || -0,3 pF
 output: 341 Ω || -0,5 pF

Characteristics**Remark:**

Reference level for the relative attenuation a_{rel} of the TFS 465 is the minimum of the pass band attenuation a_{min} . The minimum of the pass band attenuation a_{min} is defined as the insertion loss a_e . The centre frequency f_c is the arithmetic mean value of the upper and lower frequencies at the 3 dB filter attenuation level relative to the insertion loss a_e . The nominal frequency f_N is fixed on 465,1375 MHz without tolerance. The given values for the relative attenuation a_{rel} have to be reached at the frequencies given below also if the centre frequency f_c is shifted due to the temperature coefficient of frequency TC_f in the operating temperature range and due to a production tolerance for the centre frequency f_c .

D a t a		typ. value	Variation/ Limitation
Insertion loss (Reference level)	$a_e = a_{min}$	3,8 dB	max. 4,5 dB
Nominal frequency	f_N		465,1375 MHz
Centre frequency	f_c	465,1 MHz	
2 dB – bandwidth *	BW	9,0 MHz	min. 5,2 MHz
Relative attenuation	a_{rel}		
$f_N - 18,8 \text{ MHz} \dots f_N - 24 \text{ MHz}$		55,0 dB	min. 50,0 dB
Temperature coefficient of the frequency	TC_f	T.B.D-	
Operating temperature range			0 °C ... + 55 °C
Storage temperature range			-20 °C ... + 70 °C

* Ripple requirements can be relaxed between 462.7375 MHz and 467.5375 MHz

Generated : Sabah

Checked / approved :

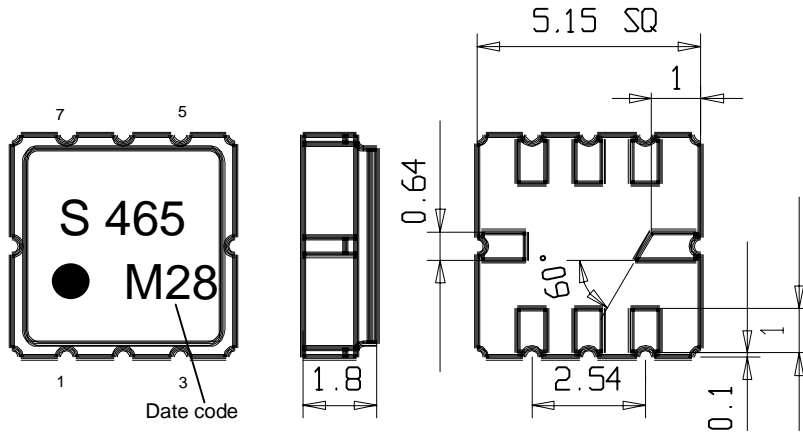
VI TELEFILTER
 Potsdamer Straße 18
 D 14 513 TELTOW / Germany
 Tel: (+49) 3328 4784-52 / Fax: (+49) 3328 4784-30
 E-Mail: tft@telefilter.com

Vectron International, Inc.
 267 Lowell Road
 Hudson, NH 03051 / USA
 Tel: (603) 598-0070 Fax: (603) 598-0075
 E-Mail: vti@vtinh.com

VI TELEFILTER reserves the right to make changes to the product(s) and/or information contained herein without notice. No liability is assumed as a result of their use or application. No rights under any patent accompany the sale of any such product(s) or information.

Construction and pin configuration

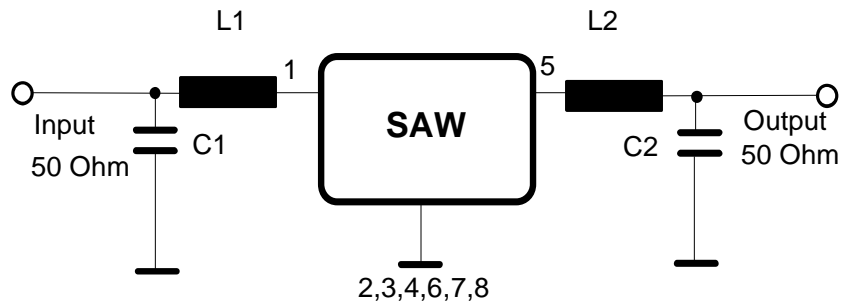
(All dimensions in mm)



Date code: Year+week
 K 1998
 L 1999
 M 2000

Pin 1	Input	Pin 5	Output
Pin 2	Ground	Pin 6	Ground
Pin 3	Ground	Pin 7	Ground
Pin 3	Ground	Pin 7	Ground
Pin 4	Ground	Pin 8	Ground

50 Ohm Test circuit



VI TELEFILTER
 Potsdamer Straße 18
 D 14 513 TELTOW / Germany
 Tel: (+49) 3328 4784-52 / Fax: (+49) 3328 4784-30
 E-Mail: tft@telefilter.com

Vectron International, Inc.
 267 Lowell Road
 Hudson, NH 03051 / USA
 Tel: (603) 598-0070 Fax: (603) 598-0075
 E-Mail: vti@vtinh.com

VI TELEFILTER reserves the right to make changes to the product(s) and/or information contained herein without notice. No liability is assumed as a result of their use or application. No rights under any patent accompany the sale of any such product(s) or information.

VI TELEFILTER**Preliminary specification****TFS 465 3/5****Stability Characteristics**

After the following tests the filter shall meet the whole specification:

1. Shock: 500g, 18 ms, half sine wave, 3 shocks each plane;
DIN IEC 68 T2 - 27
2. Vibration: 10 Hz to 500 Hz, 0,35 mm or 5g respectively, 1 octave per min, 10 cycles per plan, 3 plans;
DIN IEC 68 T2 - 6
3. Damp heat: 25 °C to 55 °C / 95% r.H. / 10 cycles
(cycle) DIN IEC 68 - 2 – 30 Db
4. Resistance to solder heat (reflow): max. 2 times reflow process;
for temperature conditions refer to the attached "Air reflow temperature conditions" on page 4;

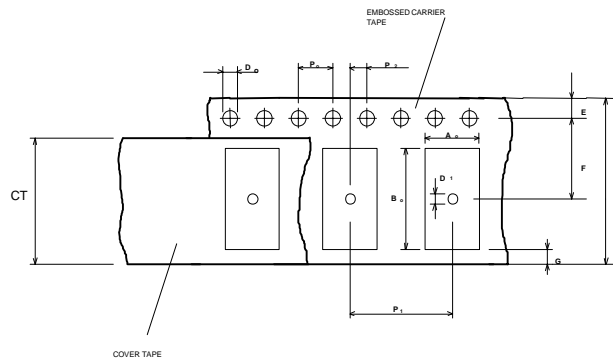
Packing

Tape & Reel: IEC 286 - 3, with exception of value for N and minimum bending radius;
tape type II, embossed carrier tape with top cover tape on the upper side;
max. pieces of filters per reel:
Reel of empty components at start:
Reel of empty components at start including leader:
Trailer

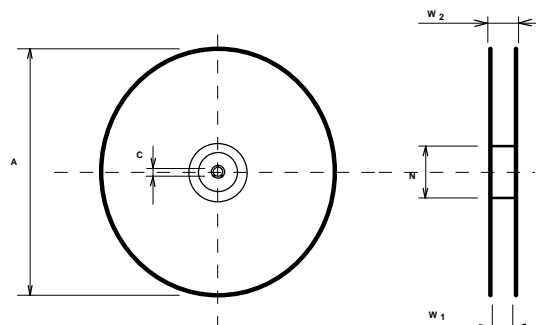
3000
min 300 mm
min 500 mm
min 300 mm

Tape (all dimensions in mm)

W : 12 ± 0,3
Po : 4 ± 0,1
Do : 1,5 ± 0,5
D1 : 1,5 ± 0,5
E : 1,75 ± 0,1
F : 7,5 ± 0,1
G (min) : 0,75
P2 : 2 ± 0,05
P1 : 8 ± 0,1
D1(min) : 1,5
Ao : 5,4 ± 0,1
Bo : 5,4 ± 0,1
CT : 9,5 ± 0,1

**Reel (all dimensions in mm):**

A : 330
W1 : 12,4 ± 2,0
W2 (max) : 18,4
N (min) : 50
C : 13 ± 0,2



The minimum bending radius is 45 mm. The mounting surface of the filters faces the bottom side of the embossed carrier tape. The marking of the filters is able to read if the view is directed on the upper side of the carrier tape with the sprocket holes on the right side of the tape.

VI TELEFILTER

Potsdamer Straße 18

D 14 513 TELTOW / Germany

Tel: (+49) 3328 4784-52 / Fax: (+49) 3328 4784-30

E-Mail: tft@telefilter.com

Vectron International, Inc.

267 Lowell Road

Hudson, NH 03051 / USA

Tel: (603) 598-0070 Fax: (603) 598-0075

E-Mail: vti@vtinh.com

VI TELEFILTER reserves the right to make changes to the product(s) and/or information contained herein without notice. No liability is assumed as a result of their use or application. No rights under any patent accompany the sale of any such product(s) or information.

VI TELEFILTER**Preliminary specification****TFS 465 4/5****Air reflow temperature conditions**

1st and 2nd air reflow profile

Name:	pre-heating periods	main-heating periods	peak temperature
Temperature:	150 °C - 170 °C	over 200 °C	255 °C ± 5 °C
Time:	60 sec. - 90 sec.	20 sec. - 25 sec.	

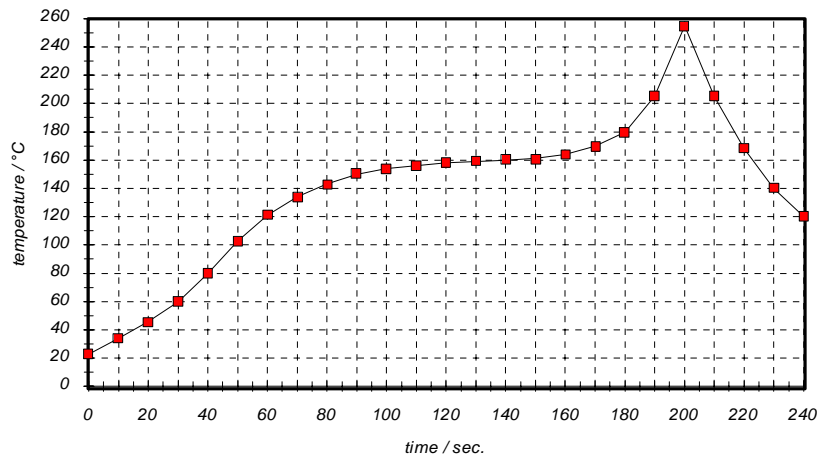
Chip-mount air reflow profile

Table for temperature vs. time during the air reflow process

Tolerance of temperatures: ± 5 °C

time / sec.	temperature / °C	time / sec.	temperature / °C
0	23	140	160
10	34	150	161
20	46	160	164
30	60	170	170
40	80	180	180
50	103	190	205
60	121	195	230
70	134	200	255
80	143	205	230
90	150	210	205
100	154	215	180
110	156	220	165
120	158	230	140
130	159	240	120

VI TELEFILTER
 Potsdamer Straße 18
 D 14 513 TELTOW / Germany
 Tel: (+49) 3328 4784-52 / Fax: (+49) 3328 4784-30
 E-Mail: tft@telefilter.com

Vectron International, Inc.
 267 Lowell Road
 Hudson, NH 03051 / USA
 Tel: (603) 598-0070 Fax: (603) 598-0075
 E-Mail: vti@vtinh.com

VI TELEFILTER reserves the right to make changes to the product(s) and/or information contained herein without notice. No liability is assumed as a result of their use or application. No rights under any patent accompany the sale of any such product(s) or information.

VI TELEFILTER**Preliminary specification****TFS 465 5/5****History**

Version	Reason of Changes	Name	Date
1.0	- generate according to customer specification	Dr. Wall	01.03.2000
1.1	- Title change: from Filter specification to Preliminary specification - add Date code - add CT value (see Packing, page 3) - add the 50 Ω impedanc matching network - add the measured values of terminating impedances (input and output) - change the max.- and typical. values of Insertion loss (max 4,0dB to max. 4,5dB; Typical. 3,0dB to 3,8dB) (customer agreement date: 07.07.00, see e-mail 07.07.00) - Temperature coefficient of frequency change from -32 ppm/K to T.B.D. - change the stop band attenuation typical value: from -70 dB to -55 dB	Dr. Sabah	14.07.2000

VI TELEFILTER
Potsdamer Straße 18
D 14 513 TELTOW / Germany
Tel: (+49) 3328 4784-52 / Fax: (+49) 3328 4784-30
E-Mail: tft@telefilter.com

Vectron International, Inc.
267 Lowell Road
Hudson, NH 03051 / USA
Tel: (603) 598-0070 Fax: (603) 598-0075
E-Mail: vti@vtinh.com

VI TELEFILTER reserves the right to make changes to the product(s) and/or information contained herein without notice. No liability is assumed as a result of their use or application. No rights under any patent accompany the sale of any such product(s) or information.