

**VI TELEFILTER****Filter specification****TFS 270 B****1/5****Measurement condition**

Ambient temperature:	23	°C
Input power level:	0	dBm
Terminating impedance input:		440 Ω    -1,40 pF
Terminating impedance output :	440 Ω	-1,40 pF
ext. coil pin 4:	120	nH

**Characteristics**

Remark:

Reference level for the relative attenuation  $a_{rel}$  of the TFS 270B is the minimum of the pass band attenuation  $a_{min}$ . The minimum of the pass band attenuation  $a_{min}$  is defined as the insertion loss  $a_e$ . The nominal frequency  $f_N$  is fixed on 270,000 MHz without tolerance. The values of the pass band ripple and the relative attenuation  $a_{rel}$  are guaranteed in the whole operating temperature range. The frequency shift of the filter in the operating temperature range is included in the measurement tolerance scheme.

Preliminary Data		typ. value	tolerance / limit
<b>Insertion loss</b> (Reference level)	$a_e = a_{min}$	3 dB	max 5 dB
<b>Nominal frequency</b>	$f_N$	-	270,0 MHz
<b>Pass band ripple</b>			
$f_N - 70$ kHz ... $f_N + 70$ kHz		0,5	max 2 dB
$f_N - 90$ kHz ... $f_N + 90$ kHz		1,0	max 3 dB
<b>Relative attenuation</b> $a_{rel}$			
270,0 MHz ± 400 kHz ... 270,0 MHz ± 600 kHz		30 dB	min 20 dB
270,0 MHz ± 600 kHz ... 270,0 MHz ± 1,0 MHz		40 dB	min 27 dB
270,0 MHz ± 1,0 MHz ... 270,0 MHz ± 30 MHz		50 dB	min 40 dB
<b>Group delay distortion</b> GDD			
270,0 MHz ± 70 kHz		0,5 μs	max 2 μs
<b>Operating temperature range</b>			- 20 °C ... + 85 °C
<b>Storage temperature range</b>			- 30 °C ... + 85 °C
<b>Temperature coefficient of frequency</b> $TC_f$		- 0,036 ppm/K <sup>2</sup>	-
<b>Frequency inversion temperature</b>		+ 25 °C	-

**Generated:****Checked / approved:**

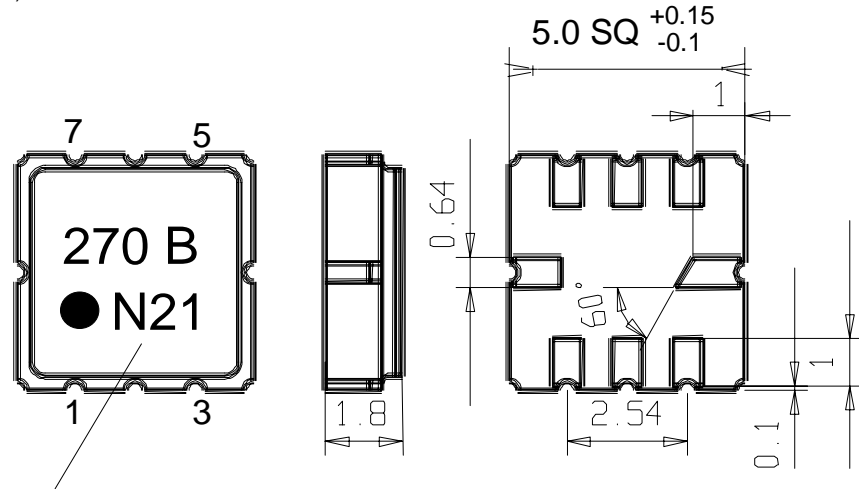
**VI TELEFILTER**  
 Potsdamer Straße 18  
 D 14 513 TELTOW / Germany  
 Tel: (+49) 3328 4784-0 / Fax: (+49) 3328 4784-30  
 E-Mail: [tft@telefilter.com](mailto:tft@telefilter.com)

**Vectron International, Inc.**  
 267 Lowell Road  
 Hudson, NH 03051 / USA  
 Tel: (603) 598-0070 Fax: (603) 598-0075  
 E-Mail: [vti@vtinh.com](mailto:vti@vtinh.com)

VI TELEFILTER reserves the right to make changes to the product(s) and/or information contained herein without notice. No liability is assumed as a result of their use or application. No rights under any patent accompany the sale of any such product(s) or information.

## Construction, pin configuration and 50 Ω - matching network

(All dimensions in mm)

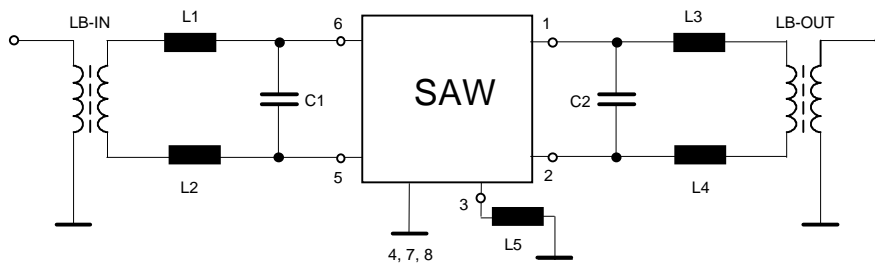


## Date code

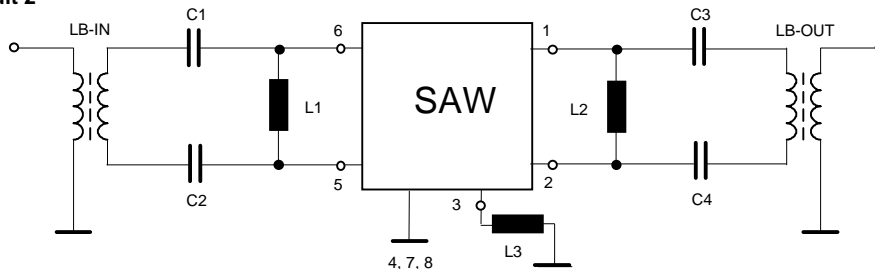
Pin 1	Sym. Output	Pin 5	Sym. Input
Pin 2	Sym. Output	Pin 6	Sym. Input
Pin 3	External Coil	Pin 7	Ground
Pin 4	Package Ground	Pin 8	Package ground

Datecode:	Year+week
L	1999
M	2000
N	2001
...	

## 50 Ohm Test circuit 1



## 50 Ohm Test circuit 2



VI TELEFILTER  
 Potsdamer Straße 18  
 D 14 513 TELTOW / Germany  
 Tel: (+49) 3328 4784-0 / Fax: (+49) 3328 4784-30  
 E-Mail: [ft@telefilter.com](mailto:ft@telefilter.com)

Vectron International, Inc.  
 267 Lowell Road  
 Hudson, NH 03051 / USA  
 Tel: (603) 598-0070 Fax: (603) 598-0075  
 E-Mail: [vti@vtinh.com](mailto:vti@vtinh.com)

VI TELEFILTER reserves the right to make changes to the product(s) and/or information contained herein without notice. No liability is assumed as a result of their use or application. No rights under any patent accompany the sale of any such product(s) or information.

**Stability Characteristics**

After the following tests the filter shall meet the whole specification:

1. Shock: 500g, 18 ms, half sine wave, 3 shocks each plane;  
DIN IEC 68 T2 - 27
2. Vibration: 10 Hz to 500 Hz, 0,35 mm or 5g respectively, 1 octave per min, 10 cycles per plan, 3 plans;  
DIN IEC 68 T2 - 6
3. Damp heat: 25 °C to 55°C / 95% r.H. / 10 cycles  
(cycle) DIN IEC 68 - 2 – 30 Db
4. Resistance to solder heat (reflow): max. 2 times reflow process;  
for temperature conditions refer to the attached "Air reflow temperature conditions" on page 4;

**Packing**

Tape & Reel:

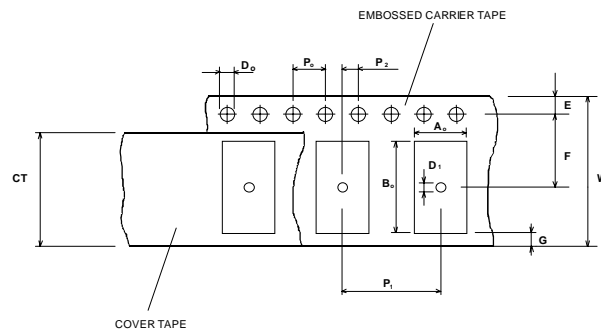
IEC 286 - 3, with exception of value for N and minimum bending radius;  
tape type II, embossed carrier tape with top cover tape on the upper side;

max. pieces of filters per reel:  
reel of empty components at start:  
reel of empty components at start including leader:  
trailer

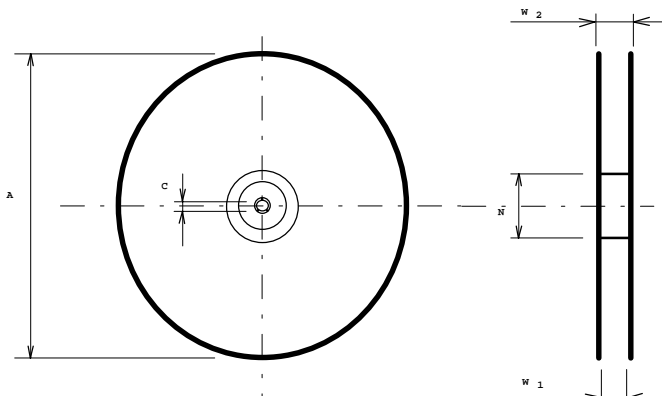
3000  
min 300 mm  
min 500 mm  
min 300 mm

**Tape (all dimensions in mm)**

W	: 12 ± 0,3
Po	: 4 ± 0,1
Do	: 1,5 + 0,1
E	: 1,75 ± 0,1
F	: 5,5 ± 0,05
G (min)	: 0,75
P2	: 2 ± 0,05
P1	: 8 ± 0,1
D1(min)	: 1,5
Ao	: 5,3 ± 0,1
Bo	: 5,3 ± 0,1
CT	: 9,5 ± 0,1

**Reel (all dimensions in mm):**

A	:	330
W1	:	12,4 + 0,2
W2 (max)	:	18,4
N (min)	:	50
C	:	13 ± 0,2



The minimum bending radius is 45 mm. The mounting surface of the filters faces the bottom side of the embossed carrier tape. The marking of the filters is able to read if the view is directed on the upper side of the carrier tape with the sprocket holes on the right side of the tape.

**VI TELEFILTER**  
Potsdamer Straße 18  
D 14 513 TELTOW / Germany  
Tel: (+49) 3328 4784-0 / Fax: (+49) 3328 4784-30  
E-Mail: [tft@telefilter.com](mailto:tft@telefilter.com)

**Vectron International, Inc.**  
267 Lowell Road  
Hudson, NH 03051 / USA  
Tel: (603) 598-0070 Fax: (603) 598-0075  
E-Mail: [vti@vtinh.com](mailto:vti@vtinh.com)

VI TELEFILTER reserves the right to make changes to the product(s) and/or information contained herein without notice. No liability is assumed as a result of their use or application. No rights under any patent accompany the sale of any such product(s) or information.

**Air reflow temperature conditions**

## 1st and 2nd air reflow profile

Name:	pre-heating periods	main-heating periods	peak temperature
Temperature:	150 °C - 170 °C	over 200 °C	255 °C ± 5 °C
Time:	60 sec. - 90 sec.	20 sec. - 25 sec.	

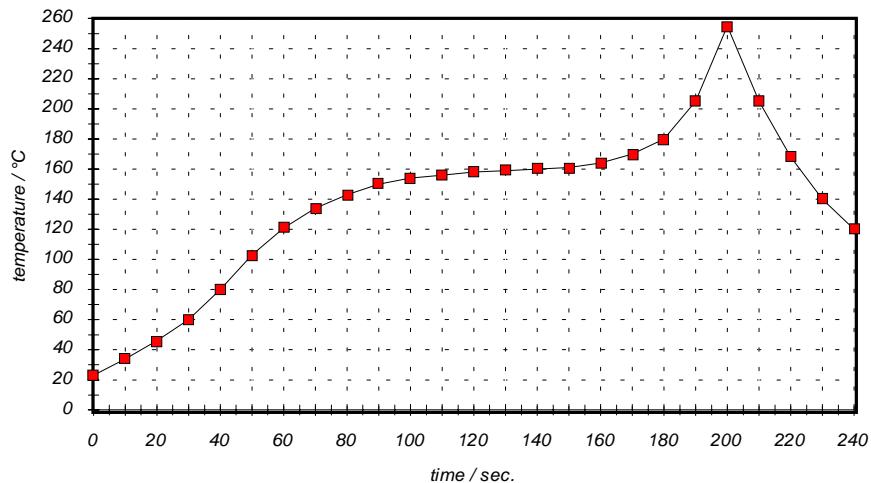
**Chip-mount air reflow profile**

Table for temperature vs. time during the air reflow process

Tolerance of temperatures: ± 5 °C

time / sec.	temperature / °C	time / sec.	temperature / °C
0	23	140	160
10	34	150	161
20	46	160	164
30	60	170	170
40	80	180	180
50	103	190	205
60	121	195	230
70	134	200	255
80	143	205	230
90	150	210	205
100	154	215	180
110	156	220	165
120	158	230	140
130	159	240	120

---

**VI TELEFILTER****Filter specification****TFS 270 B****5/5**

---

**History**

<b>Version</b>	<b>Reason of Changes</b>	<b>Name</b>	<b>Date</b>
1.3	- Add history. - Change date code from month to week. - Correct tape and reel information.	Dr. Wall	21.05.2001

---

**VI TELEFILTER**  
Potsdamer Straße 18  
D 14 513 TELTOW / Germany  
Tel: (+49) 3328 4784-0 / Fax: (+49) 3328 4784-30  
E-Mail: [tft@telefilter.com](mailto:tft@telefilter.com)

---

**Vectron International, Inc.**  
267 Lowell Road  
Hudson, NH 03051 / USA  
Tel: (603) 598-0070 Fax: (603) 598-0075  
E-Mail: [yti@vtinh.com](mailto:yti@vtinh.com)

---

VI TELEFILTER reserves the right to make changes to the product(s) and/or information contained herein without notice. No liability is assumed as a result of their use or application. No rights under any patent accompany the sale of any such product(s) or information.