

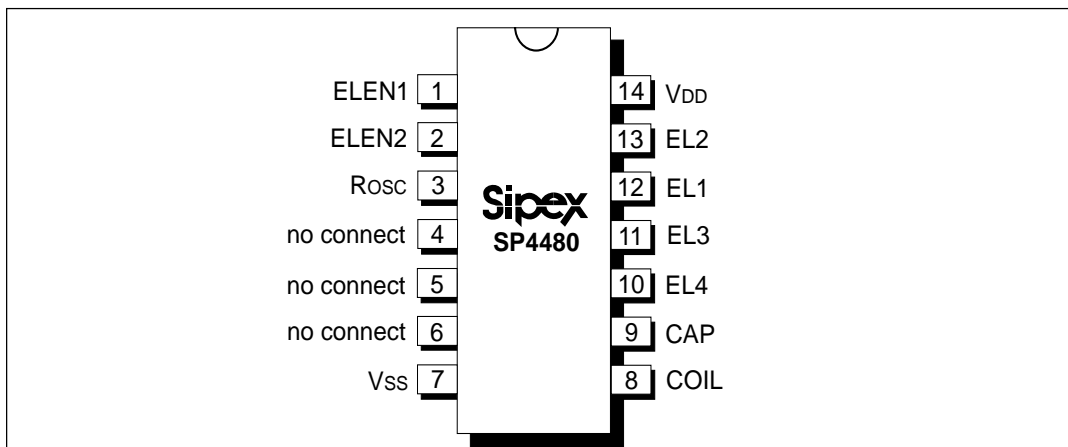
Dual Electroluminescent Lamp Driver

- Backlights Keypad & LCD With A Single EI Driver
- A Single External IC Drives Dual EL Lamps Simultaneously Or Independently
- A Single Coil Drives Both EL Lamp
- A Single Resistor Controls the Operating Frequency
- DC-to-AC Inverter Produces Up To 200V_{P-P}
- Low Current Standby Mode Draws Less Than 1μA
- +2.2V to +6.0V Battery Operation



DESCRIPTION

The SP4480 provides a designer with two electroluminescent lamp drivers for backlighting solutions. The EL lamp outputs operate in opposite phase so the SP4480 device can be easily implemented into applications driving two EL lamps simultaneously or driving double-sided, multi-color EL lamps. The integration of a dual EL lamp driver in a cost-effective single IC reduces component count and board space requirements. The SP4480 is ideal for portable applications such as cellular phones, pagers, PDAs, medical equipment, and other designs with liquid crystal displays, keypads, and backlit readouts. The SP4480 operates from a +2.2V to +6.0V source. The device features a low power standby mode which draws less than 1μA (maximum). The frequency of the internal oscillator is set with a single external resistor. A single inductor is required to generate the high voltage AC outputs to drive the EL lamps. All input pins are ESD protected with internal diodes to V_{DD} and V_{SS} .



ABSOLUTE MAXIMUM RATINGS

These are stress ratings only and functional operation of the device at these ratings or any other above those indicated in the operation sections of the specifications below is not implied. Exposure to absolute maximum rating conditions for extended periods of time may affect reliability.

Power Supply, V_{DD}7.0V
 Input Voltages, Logic.....-0.3V to ($V_{DD}+0.3V$)
 Lamp Outputs.....220V_{P-P}
 Operating Temperature.....-40°C to +85°C
 Storage Temperature.....-65°C to +150°C

Power Dissipation Per Package

14-pin SOIC

(derate 8.33mW/°C above +70°C).....700mW

14-pin TSSOP

(derate 9.96mW/°C above +70°C).....800mW

STORAGE CONSIDERATIONS

Storage in a low humidity environment is preferred. Large high density plastic packages are moisture sensitive and should be stored in Dry Vapor Barrier Bags. Prior to usage, the parts should remain bagged and stored below 40°C and 60%RH. If the parts are removed from the bag, they should be used within 48 hours or stored in an environment at or below 20%RH. If the above conditions cannot be followed, the parts should be baked for four hours at 125°C in order to remove moisture prior to soldering. Sipex ships product in Dry Vapor Barrier Bags with a humidity indicator card and desiccant pack. The humidity indicator should be below 30%RH.

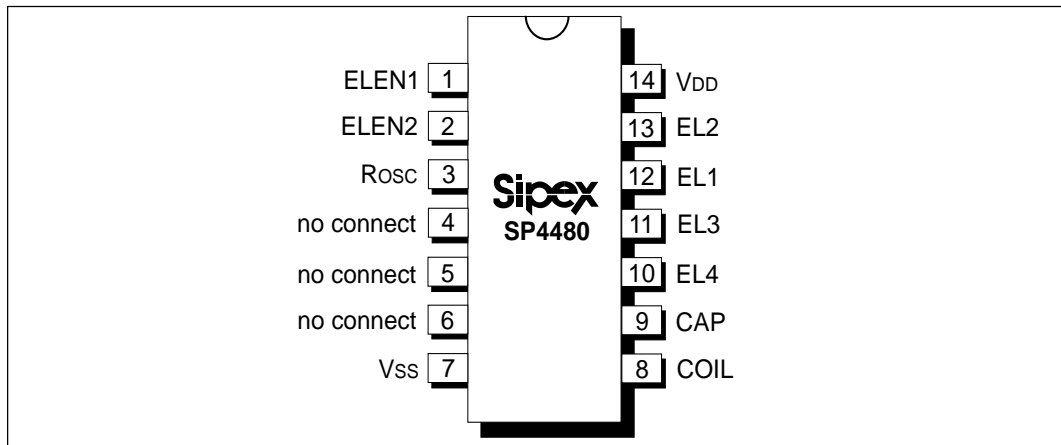
The information furnished by Sipex has been carefully reviewed for accuracy and reliability. Its application or use, however, is solely the responsibility of the user. No responsibility of the use of this information become part of the terms and conditions of any subsequent sales agreement with Sipex. Specifications are subject to change without no responsibility for any infringement of patents or other rights of third parties which may result from its use. No license or proprietary rights are granted by implication or otherwise under any patent or patent rights of Sipex Corporation.

SPECIFICATIONS

$V_{DD} = +3.0V$, $L = 470\mu H$, $C_{LAMP} = 8nF$, $R_{OSC} = 402k\Omega$, and $T_{AMB} = 25^\circ C$ unless otherwise noted.

PARAMETER	MIN.	TYP.	MAX.	UNITS	CONDITIONS
Supply Voltage, V_{DD}	2.2	3.0	6.0	V	
Supply Current, I_{DD}		2	4	mA	$L_{COIL} = 470\mu H$
Shutdown Current, $I_{SD} = I_{COIL} + I_{DD}$			1	μA	$V_{ELEN} = 0V$
ELEN Input Voltage, V_{ELEN} LOW HIGH	2.75	0 3.0	0.25	V	
Input Resistance ELEN1 and ELEN2		1		M Ω	
INDUCTOR DRIVE					
Coil Frequency, f_{COIL}	45 40	57	70 73	kHz	$T_{AMB} = +25^\circ C$ $T_{AMB} = -40^\circ C$ to $+85^\circ C$
Coil Duty Cycle		90		%	
Coil Current, I_{COIL}		39	60	mA	
Peak Coil Current, $I_{PK-COIL}$		74	100	mA	Guaranteed by design
EL LAMP OUTPUT					
EL Lamp Frequency, f_{LAMP}	350 312	450	550 570	Hz	$T_{AMB} = +25^\circ C$ $T_{AMB} = -40^\circ C$ to $+85^\circ C$
Peak to Peak Output Voltage, V_{PK-PK}	138 130	170		V	$T_{AMB} = +25^\circ C$ $T_{AMB} = -40^\circ C$ to $+85^\circ C$

PINOUT



PIN ASSIGNMENTS

Pin 1 — ELEN1 — Electroluminescent Lamp Enable 1. When driven HIGH, this input pin enables the EL driver outputs for EL1 and EL2. This pin has an internal pulldown resistor.

Pin 2 — ELEN2 — Electroluminescent Lamp Enable 2. When driven HIGH, this input pin enables the EL driver outputs for EL3 and EL4. This pin has an internal pulldown resistor.

Pin 3 — R_{OSC} — Oscillator Resistor. Connecting a resistor between V_{DD} and this pin sets the frequency of the internal clock.

Pin 4 — No Connect.

Pin 5 — No connect.

Pin 6 — No connect.

Pin 7 — V_{SS} — Power Supply Ground. Connect to the lowest circuit potential, typically ground.

Pin 8 — COIL — Coil. The inductor for the boost converter is connected from V_{BATT} to this pin.

Pin 9 — CAP — Integrating Capacitor. An integrating capacitor connected from this pin to ground filters out any coil switching spikes or ripple present in the output waveform to the EL lamps. Connecting a fast recovery diode from COIL to CAP increases the light output of the EL lamp.

Pin 10 — EL4 — Electroluminescent Lamp Output 4. This is a high voltage lamp driver output pin paired with EL3 to drive the EL2 lamp.

Pin 11 — EL3 — Electroluminescent Lamp Output 3. This is a high voltage lamp driver output pin paired with EL4 to drive the EL2 lamp.

Pin 12 — EL1 — Electroluminescent Lamp Output 1. This is a high voltage lamp driver output pin paired with EL2 to drive the EL1 lamp.

Pin 13 — EL2 — Electroluminescent Lamp Output 2. This is a high voltage lamp driver output pin paired with EL1 to drive the EL1 lamp.

Pin 14 — V_{DD} — Positive Power Supply. This pin should be bypassed with a 0.1 μ F capacitor.

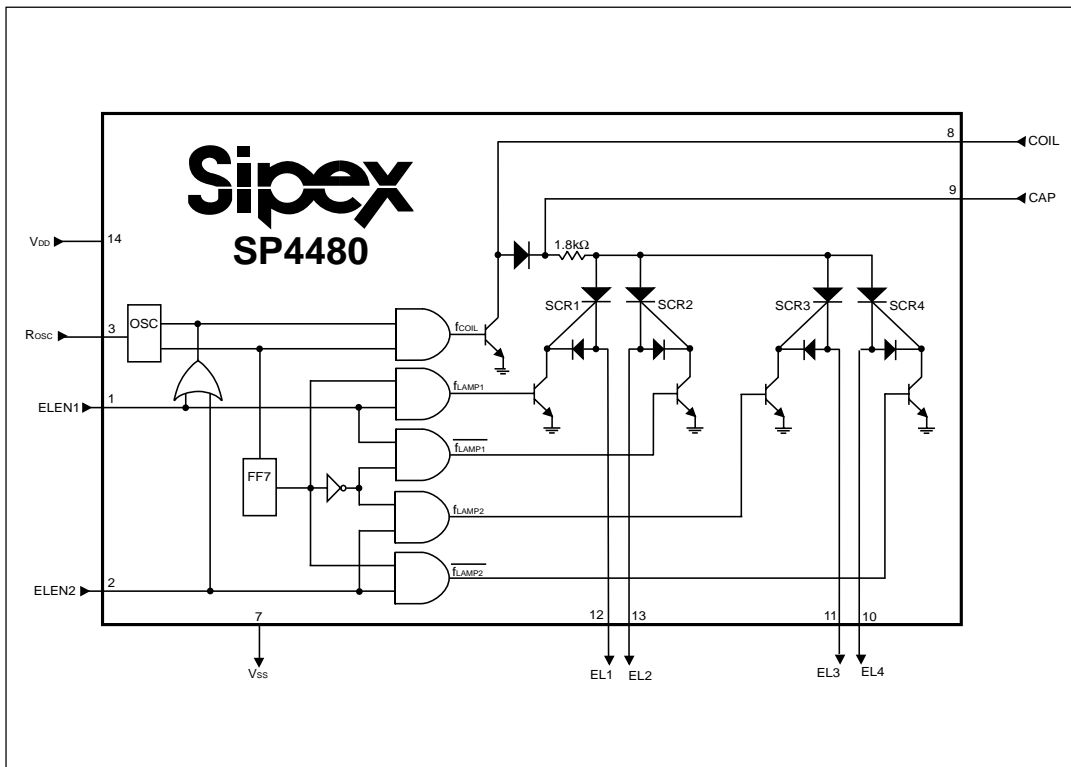


Figure 1: Internal Block Diagram of SP4480

DESCRIPTION

The SP4480 Dual Electroluminescent Lamp Driver is a low-cost, low voltage device ideal for the replacement of LED backlighting designs in keypads, handsets, PDAs and other portable designs. The EL lamp driver outputs operate in opposite phase so the SP4480 device can be easily implemented into applications driving two EL lamps simultaneously or double-sided EL lamps. Having a dual lamp driver solution on a single IC makes available precious printed circuit board real estate for designers additional circuitry.

The SP4480 contains a DC-AC inverter that can produce an AC output of 180V_{P-P} (typical) from a +2.2V to +6.0V input voltage. An internal block diagram of SP4480 can be found in Figure 1.

Electroluminescent Technology

An EL lamp consists of a thin layer of phosphorous material sandwiched between two strips of plastic which emits light (fluoresces) when a high voltage AC signal is applied across it. It

high voltage AC signal is applied across it. It behaves primarily as a capacitive load. Long periods of DC voltage applied to the material tend to reduce its lifetime. With these conditions in mind, the ideal signal to drive an EL lamp is a high voltage sine wave. Traditional approaches to achieve this type of waveform include discrete circuits incorporating a transformer, transistors and several resistors and capacitors. This approach is large and bulky and cannot be implemented in most handheld equipment. SipeX offers low power single chip driver circuits specifically designed to drive small to medium sized electroluminescent panels. SipeX EL drivers provide a differential AC voltage without a DC offset to maximize EL lamp lifetime. The only additional components required for the EL driver circuitry are an inductor, resistor and capacitor.

Electroluminescent backlighting is ideal when used with LCD's keypads or other backlit displays. EL lamps uniformly light an area without creating any undesirable "hot spots" in the display. Also, an EL lamp consumes less power than LED's or incandescent bulbs in similar

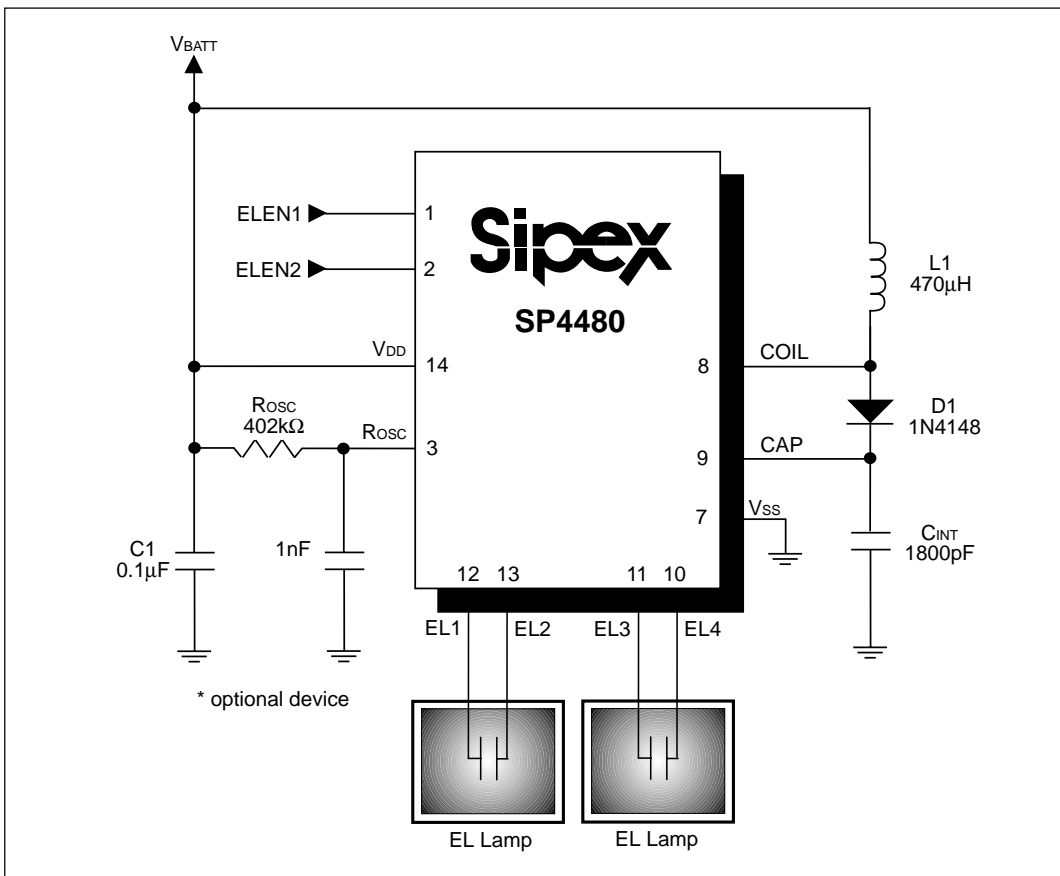


Figure 2: Typical Application Circuit of the SP4480

lighting situations. These features make EL ideal for attractive, battery powered products.

THEORY OF OPERATION

Coil Switch

The SP4480 has an inductor-based boost converter to generate the high voltage used to drive the EL lamp. Energy is stored in the inductor according to the equation $E_L = 1/2 (LI_{pk}^2)$ where $I_{pk} = (t_{ON}) (V_{BATT} - V_{CEsat}) / L$. An internal oscillator controls the coil switch. During the time the coil switch is on, the coil is connected between V_{DD} and the saturation voltage of the coil switch and a magnetic field develops in the coil. When the coil switch turns off, the switch opens, the magnetic field collapses and the voltage across the coil rises. The internal diode forward biases when the coil voltage rises above the H-Bridge voltage and the energy enters the EL lamp. Each pulse increases the voltage across the lamp in discrete steps.

As the voltage approaches its maximum, the steps become smaller. (see figure 4).

The brightness of the EL lamp output is directly related to energy recovery in the boost converter. There are many variations among coils such as magnetic core differences, winding differences and parasitic capacitances. For suggested coil suppliers refer to page 10.

Oscillator

The internal oscillator generates a high frequency clock used by the boost converter and H-Bridge. An external resistor from V_{DD} to $ROSC$ sets the oscillator frequency. Typically a 402kΩ resistor sets the frequency to 57kHz. The high frequency clock directly controls the coil switch. This high frequency clock is divided by 128 to generate a low frequency clock which controls the EL H-Bridge and sets the EL lamp frequency. The oscillator has low sensitivity to temperature and supply voltage variations, increasing the performance of the EL

driver over the operating parameters.

Dual H-Bridge

The H-Bridge consists of two SCR structures and two NPN transistors that control how the lamp is charged. Setting ELEN1 to HIGH activates the EL1 and EL2 outputs. Setting ELEN2 to HIGH activates EL3 and EL4 outputs. The EL driver illuminates the lamp by applying the high voltage supply of the boost converter to the lamp terminals through the H-Bridge and then switching the terminals polarity between the high voltage supply and ground at a constant frequency. This applies an AC voltage to the lamp that is twice the peak output voltage of the boost driver. An AC voltage greater than the 40V across the terminals of the lamp is typically necessary to adequately illuminate the EL lamp.

Both EL drivers may be operated simultaneously but with decreased light output from the EL panels.

DESIGN CONSIDERATIONS

Inductor Selection

If limiting peak current draw from the power supply is important, small coil values (<1mH) may need a higher oscillator frequency. Inductor current ramps faster in a lower inductance coil than a higher inductance coil for a given coil switch on time period, resulting in higher peak coil currents.

It is important to observe the saturation current rating of a coil. When this current is exceeded, the coil is incapable of storing any more energy and then ceases to act as an inductor. Instead, the coil behaves according to its series DC resistance. Since small coils (<1mH) have inherently low series DC resistance, the current can peak dramatically through a small coil during saturation. This situation results in wasted energy not stored in the magnetics of the coil but expressed as heating which could lead to failure of the coil.

Generally, selecting a coil with lower series DC resistance will result in a system with higher efficiency and lamp brightness.

Lamp Effects

EL lamp parameters vary between manufacturers. Series DC resistance, lighting efficiency and lamp capacitance per area differ the most overall. Larger lamps require more energy to illuminate. Lowering the oscillator frequency allows more energy to be stored in the coil during each coil switch cycle and increases lamp brightness. The oscillator frequency can be lowered to a point where the lamp brightness then begins to drop because the lamp frequency must be above a critical frequency (approx. 100Hz) to light. Lamp color is affected by the switching frequency of the EL driver. Green EL lamps will emit a more blue light as EL lamp frequency increases.

Noise Decoupling on Logic Inputs

If ELEN1 or ELEN2 are connected to traces susceptible to noise, it may be necessary to connect bypass capacitors of approximately 10nF between ELEN1 and VSS and ELEN2 and VSS. If these inputs are driven by a microprocessor which provides a low impedance HIGH and LOW signal, then noise bypassing may not be necessary.

Increasing Light Output

EL lamp light output can be improved by connecting a fast recovery diode from the COIL pin to the CAP pin. The internal diode is bypassed resulting in an increase in light output at the EL lamp. We suggest a fast recovery diode such as the industry standard 1N4148.

The optimal value of C_{INT} will vary depending on the lamp parameters and coil value. Lower C_{INT} values can decrease average supply current but higher C_{INT} values can increase lamp brightness. This is best determined by experimentation. A rule of thumb is larger coils (1mH) are paired with a smaller C_{INT} (680pF) and smaller coils (470μH) are paired with a larger C_{INT} (1800pF).

Changing the EL lamp Output Voltage Waveform

Designers can alter the sawtooth output voltage waveform to the EL lamp. Increasing the capacitance of the integration capacitor, C_{INT} , will integrate the sawtooth waveform making it appear more like a square wave.

Printed Circuit Board Layout Suggestions

The EL driver's high-frequency operation makes PCB layout important for minimizing electrical noise. Keep the IC's GND pin and the ground leads of C1 and C_{INT} less than 0.2in (5mm) apart. Also keep the connections to the COIL pin as short as possible. To maximize output power and efficiency and minimize output ripple voltage, use a ground plane and solder the IC's VSS pin directly to the ground plane.

EL Lamp Driver Design Challenges

There are many variables which can be optimized for specific applications. The amount of light emitted is a function of the voltage applied to the lamp, the frequency at which is applied, the lamp material, the lamp size, and the inductor used. Sipex supplies characterization charts to aid the designer in selecting the optimum circuit configuration.

Sipex will perform customer application evaluations, using the customer's actual EL lamp to determine the optimum operating conditions for specific applications. For customers considering an EL backlighting solution for the first time, Sipex is able to provide retrofits to non-backlit products for a thorough electrical and cosmetic evaluation. Please contact your local Sipex sales Representative or the Sipex factory directly to initiate this valuable service.

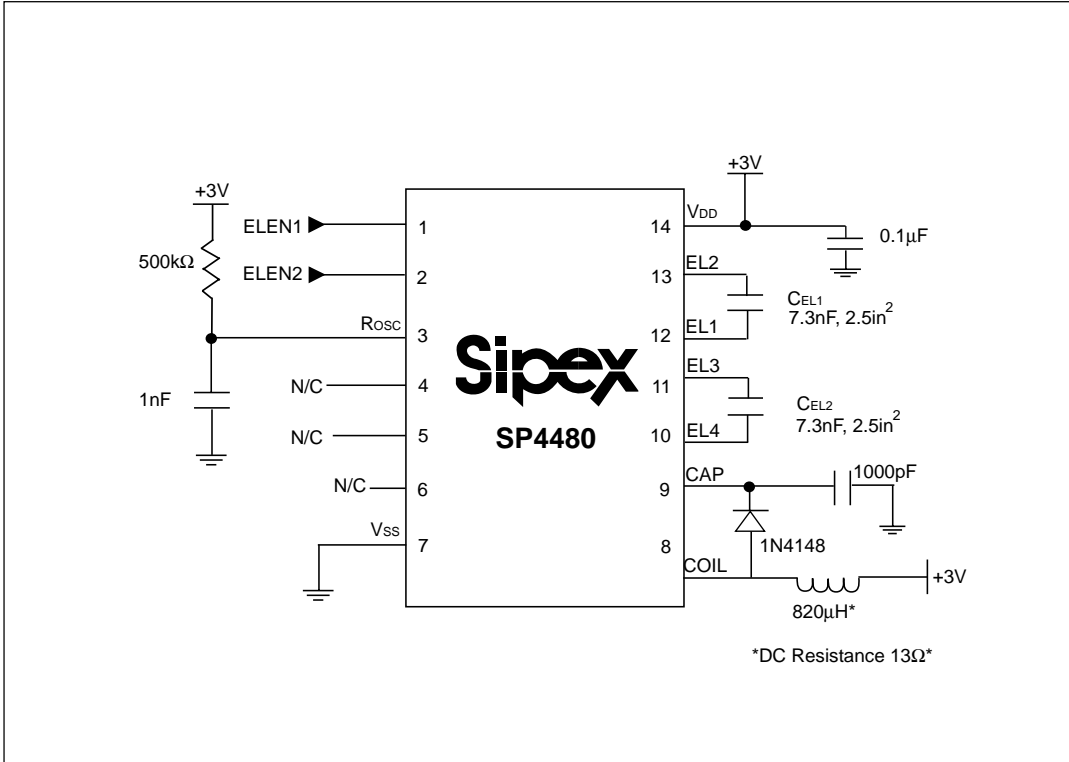


Figure 3: Test Circuit Diagram of SP4480

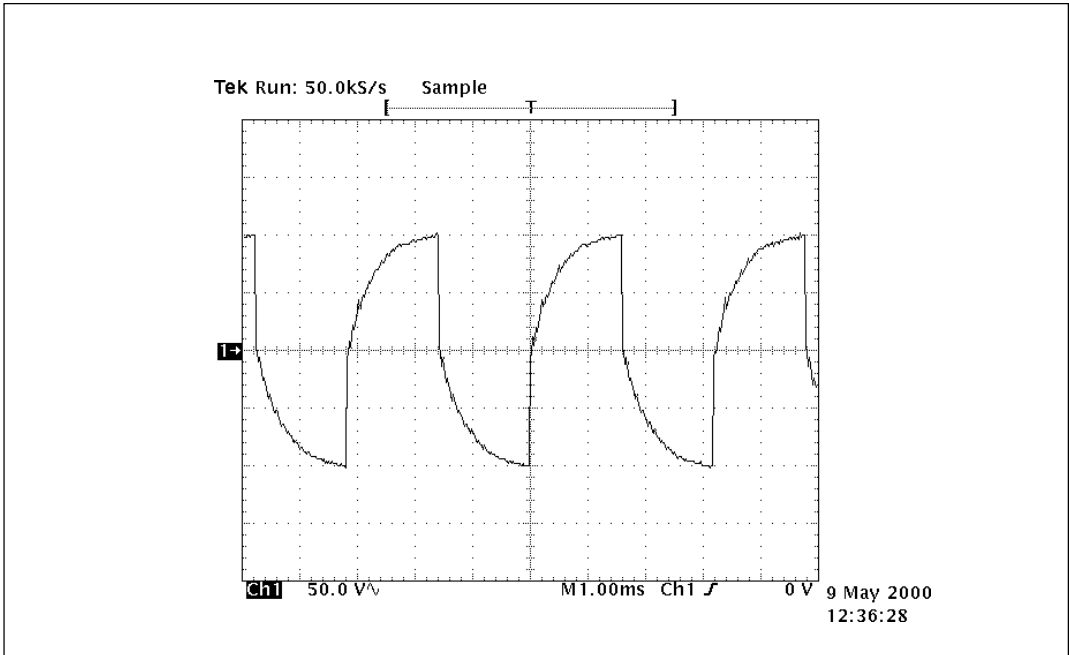


Figure 4: Typical EL Lamp Voltage Waveform

PERFORMANCE CHARACTERISTICS

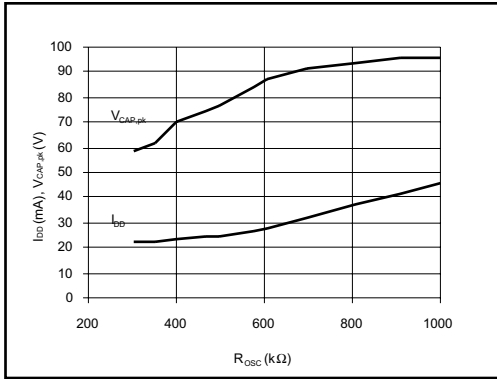


Figure 1

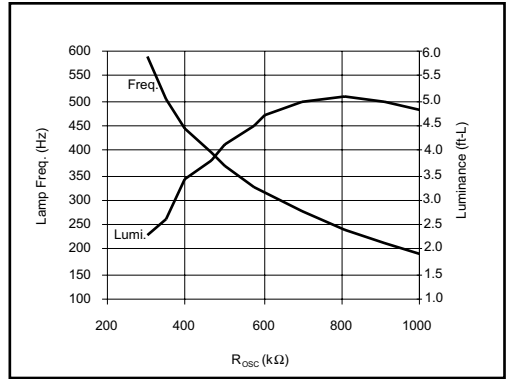


Figure 3

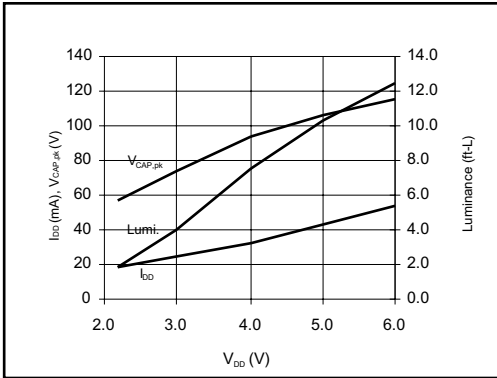


Figure 2

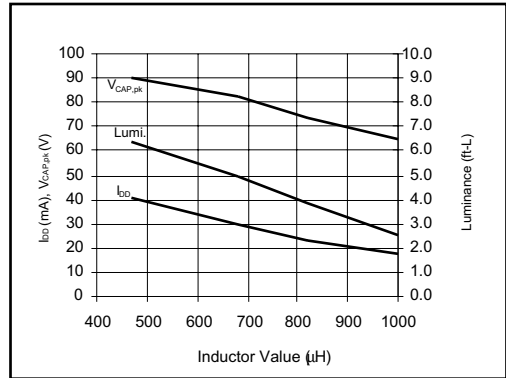


Figure 4

Coil Manufacturers

Hitachi Metals
Material Trading Division
2101 S. Arlington Heights Road,
Suite 116
Arlington Heights, IL 60005-4142
Phone: 1-800-777-8343 Ext. 12
(847) 364-7200 Ext. 12
Fax: (847) 364-7279

Hitachi Metals Ltd. Europe
Immernannstrasse 14-16, 40210
Dusseldorf, Germany
Contact: Gary Loos
Phone: 49-211-16009-0
Fax: 49-211-16009-29

Hitachi Metals Ltd.
Kishimoto Bldg. 2-1, Marunouchi
2-chome, Chiyoda-Ku, Tokyo, Japan
Contact: Mr. Noboru Abe
Phone: 3-3284-4936
Fax: 3-3287-1945

Hitachi Metals Ltd. Singapore
78 Shenton Way #12-01,
Singapore 079120
Contact: Mr. Stan Kaiko
Phone: 222-8077
Fax: 222-5232

Hitachi Metals Ltd. Hong Kong
Room 1107, 11/F., West Wing,
Tsim Sha. Tsui Center 66
Mody Road, Tsimshatsui East,
Kowloon, Hong Kong
Phone: 2724-4188
Fax: 2311-2095

Murata
2200 Lake Park Drive, Smyrna
Georgia 30080 U.S.A.
Phone: (770) 436-1300
Fax: (770) 436-3030

Murata European
Holbeinstrasse 21-23, 90441
Numberg, Postfachanschrift 90015
Phone: 011-4991166870
Fax: 011-49116687225

Murata Taiwan Electronics
225 Chung-Chin Road, Taichung,
Taiwan, R.O.C.
Phone: 011 88642914151
Fax: 011 88644252929

Murata Electronics Singapore
200 Yishun Ave. 7, Singapore
2776, Republic of Singapore
Phone: 011 657584233
Fax: 011 657536181

Murata Hong Kong
Room 709-712 Miramar Tower, 1
Kimberly Road, Tsimshatsui,
Kowloon, Hong Kong
Phone: 011-85223763898
Fax: 011-85223755655

Panasonic.
6550 Katella Ave
Cypress, CA 90630-5102
Phone: (714) 373-7366
Fax: (714) 373-7323

Sumida Electric Co., LTD.
5999, New Wilke Road,
Suite #110
Rolling Meadows, IL, 60008 U.S.A.
Phone: (847) 956-0666
Fax: (847) 956-0702

Sumida Electric Co., LTD.
4-8, Kanamachi 2-Chrome,
Katsushika-ku, Tokyo 125 Japan
Phone: 03-3607-5111
Fax: 03-3607-5144

Sumida Electric Co., LTD.
Block 15, 996, Bendemeer Road
#04-05 to 06, Singapore 339944
Republic of Singapore
Phone: 2963388
Fax: 2963390

Sumida Electric Co., LTD.
14 Floor, Eastern Center, 1065
King's Road, Quarry Bay,
Hong Kong
Phone: 28806688
Fax: 25659600

Polarizers/transflector Mnfg.

Nitto Denko
Yoshi Shinozuka
Bayside Business Park 48500
Fremont, CA. 94538
Phone: 510 445 5400
Fax: 510 445-5480

Top Polarizer- NPF F1205DU
Bottom - NPF F4225
or (F4205) P3 w/transflector

Transflector Material
Astra Products
Mark Bogin
P.O. Box 479
Baldwin, NJ 11510
Phone (516)-223-7500
Fax (516)-868-2371

EL Lamp manufacturers

Leading Edge Ind. Inc.
11578 Encore Circle
Minnetonka, MN 55343
Phone 1-800-845-6992

Midori Mark Ltd.
1-5 Komagata 2-Chome
Taita-Ku 111-0043 Japan
Phone: 81-03-3848-2011

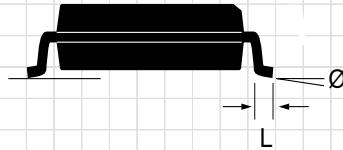
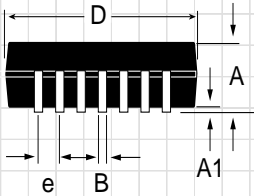
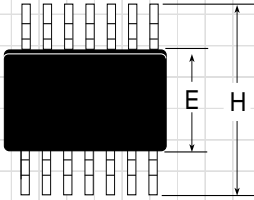
Luminescent Systems inc. (LSI)
101 Etna Road
Lebanon, NH. 03766-9004
Phone: (603) 448-3444
Fax: (603) 448-3452

NEC Corporation
Yumi Saskai
7-1, Shiba 5 Chome, Minato-ku,
Tokyo 108-01, Japan
Phone: (03) 3798-9572
Fax: (03) 3798-6134

Seiko Precision
Shuzo Abe
1-1, Taihei 4-Chome,
Sumida-ku, Tokyo, 139 Japan
Phone: (03) 5610-7089
Fax: (03) 5610-7177

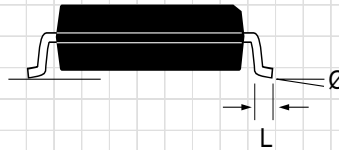
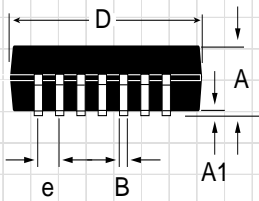
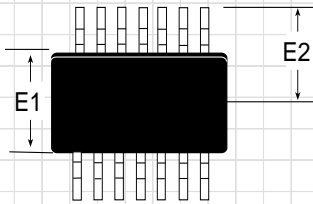
Gunze Electronics
2113 Wells Branch Parkway
Austin, TX 78728
Phone: (512) 752-1299
Fax: (512) 252-1181

PACKAGE: PLASTIC NARROW SMALL OUTLINE (NSOIC)



DIMENSIONS in. (mm) Minimum/Maximum	14-PIN
A	0.053/0.069 (1.346/1.748)
A1	0.004/0.010 (0.102/0.249)
B	0.014/0.018 (0.360/0.460)
D	0.337/0.344 (8.552/8.748)
E	0.150/0.157 (3.802/3.988)
e	0.050 BSC (1.270 BSC)
H	0.228/0.244 (5.801/6.198)
L	0.016/0.050 (0.406/1.270)
Ø	0°/8° (0°/8°)

PACKAGE: PLASTIC THIN SMALL OUTLINE (TSSOP)



DIMENSIONS in inches (mm) Minimum/Maximum	14-PIN
A	- /0.043 (- /1.10)
A1	0.002/0.006 (0.05/0.15)
B	0.007/0.012 (0.19/0.30)
D	0.193/0.201 (4.90/5.10)
E1	0.169/0.177 (4.30/4.50)
e	0.026 BSC (0.65 BSC)
E2	0.126 BSC (3.20 BSC)
L	0.020/0.030 (0.50/0.75)
Ø	0°/8°

ORDERING INFORMATION

Model	Temperature Range	Package Type
SP4480EN	-40°C to +85°C	14-Pin NSOIC
SP4480EY	-40°C to +85°C	14-Pin TSSOP
SP4480NEB		Evaluation Board



SIGNAL PROCESSING EXCELLENCE

Sipex Corporation

Headquarters and Main Offices:

233 South Hillview Drive
Milpitas, CA 95035
TEL: (408) 935-7600
FAX: (408) 934-7500

22 Linnell Circle
Billerica, MA 01821
TEL: (978) 667-8700
FAX: (978) 670-9001

Sipex Corporation reserves the right to make changes to any products described herein. Sipex does not assume any liability arising out of the application or use of any product or circuit described hereing; neither does it convey any license under its patent rights nor the rights of others.