

SHINDENGEN

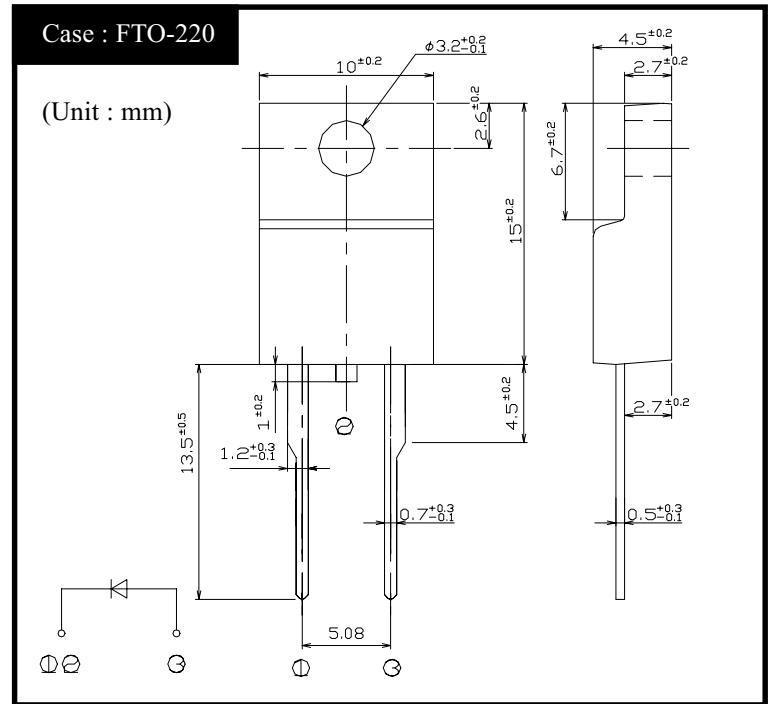
Schottky Rectifiers (SBD)

Single

SF20H1R5

15V 20A

OUTLINE DIMENSIONS



RATINGS

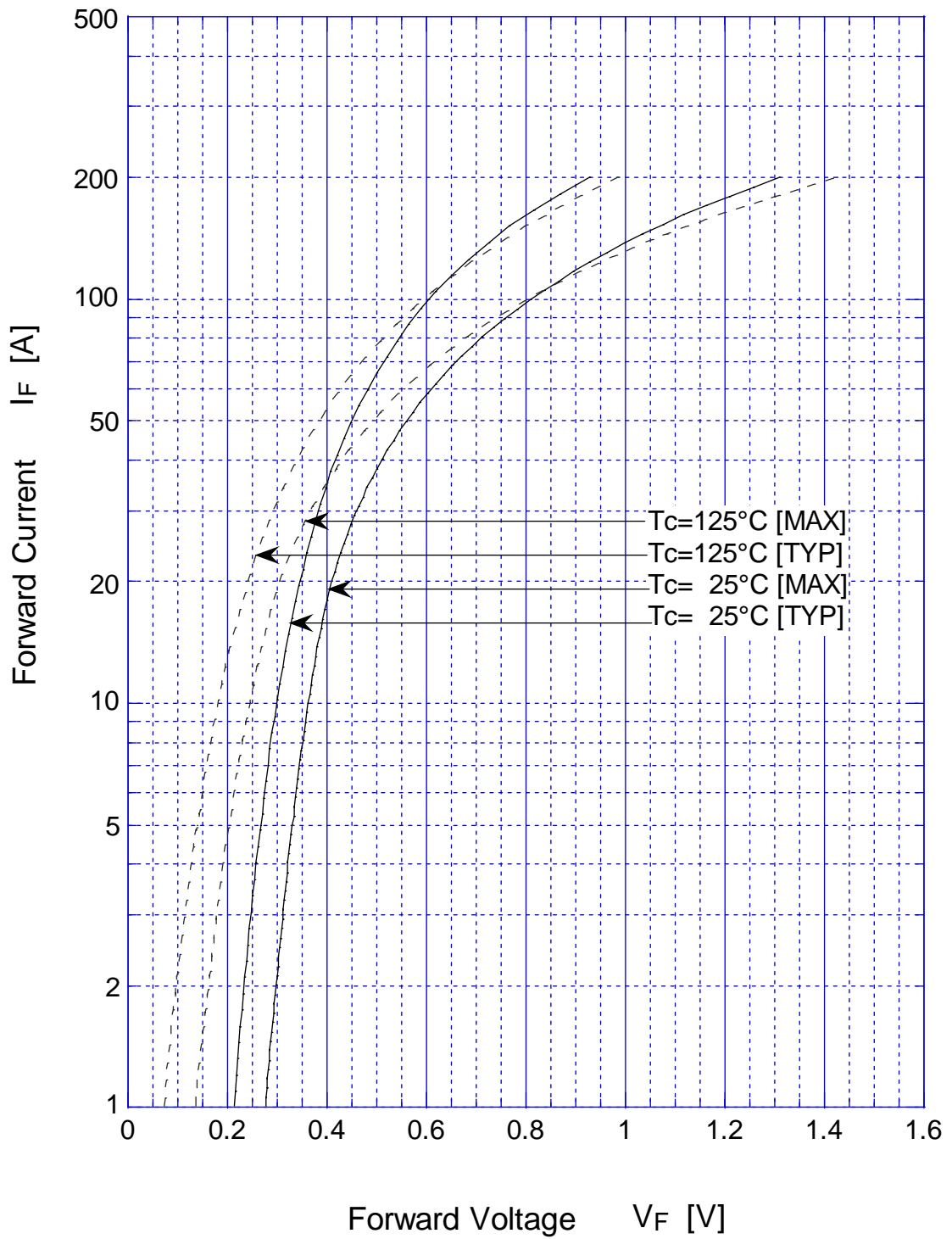
● Absolute Maximum Ratings (If not specified T_c=25°C)

Item	Symbol	Conditions	Ratings	Unit
Storage Temperature	T _{stg}		-55~125	°C
Operating Junction Temperature	T _j		125	°C
Maximum Reverse Voltage	V _{RM}		15	V
Average Rectified Forward Current	I _O	50Hz sine wave, R-load, T _c =97°C	20	A
Peak Surge Forward Current	I _{FSM}	50Hz sine wave, Non-repetitive 1 cycle peak value, T _j =25°C	250	A
Dielectric Strength	V _{dis}	Terminals to case, AC 1 minute	2	kV
Mounting Torque	TOR	(Recommended torque : 0.3N·m)	0.5	N·m

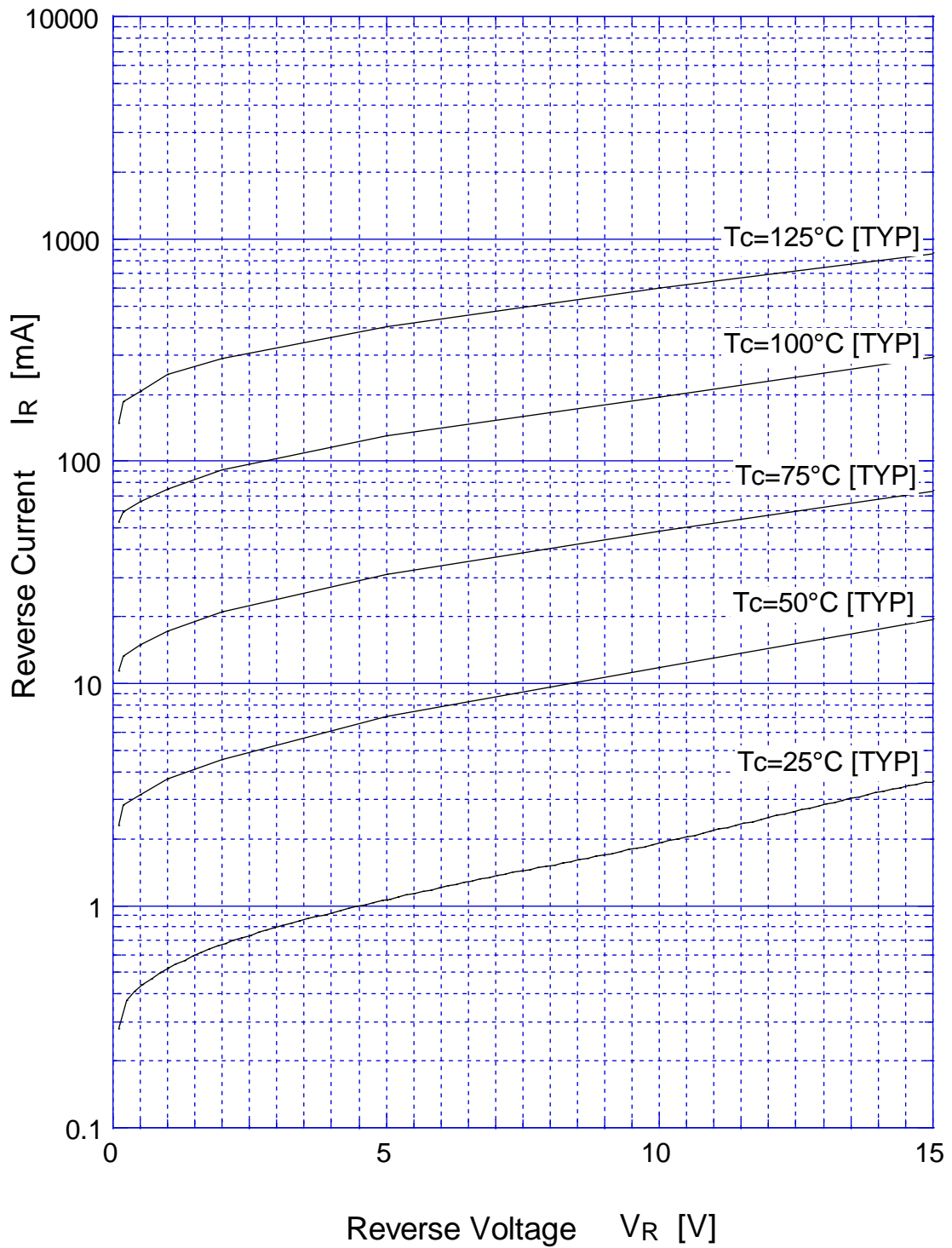
● Electrical Characteristics (If not specified T_c=25°C)

Item	Symbol	Conditions	Ratings	Unit
Forward Voltage	V _F	I _F =20A, Pulse measurement	Max 0.41	V
Reverse Current	I _R	V _R =V _{RM} , Pulse measurement	Max 10	mA
Junction Capacitance	C _j	f=1MHz, V _R =10V	Typ 960	pF
Thermal Resistance	θ _{jc}	junction to case	Max 2.0	°C/W

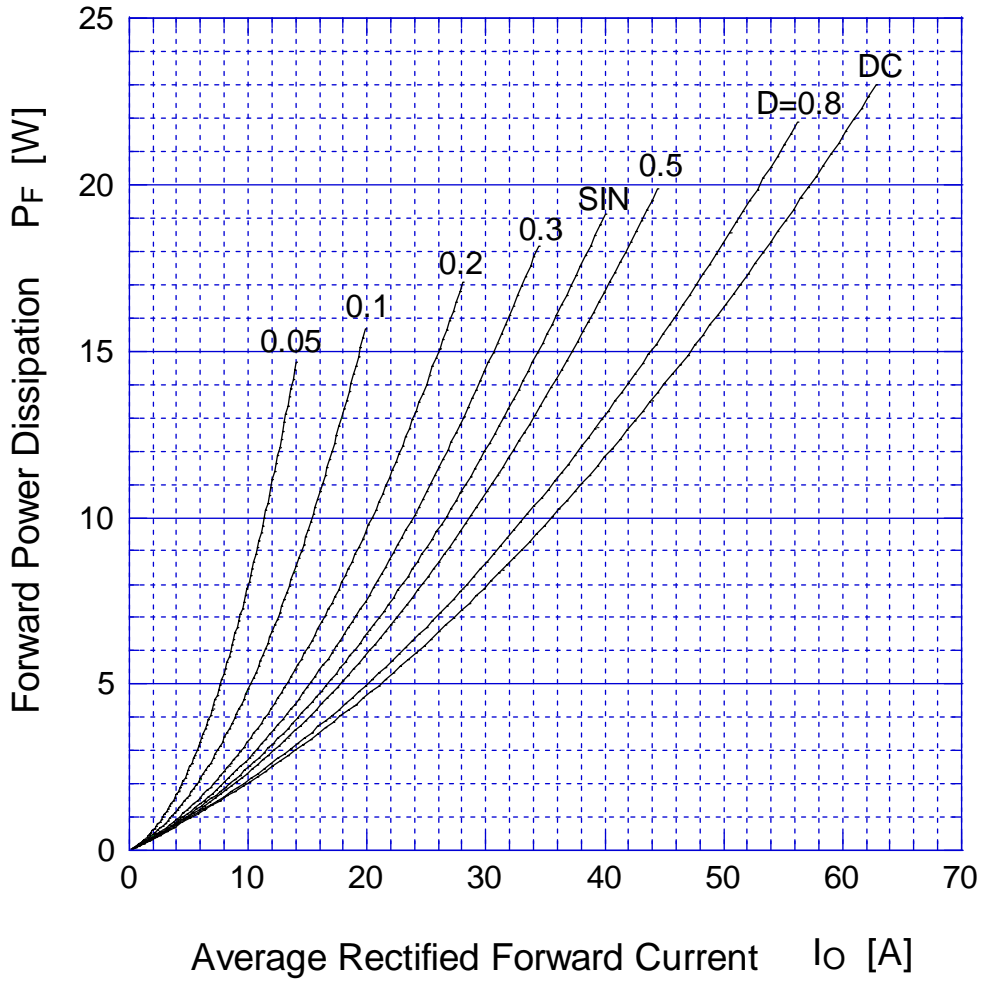
SF20H1R5 Forward Voltage



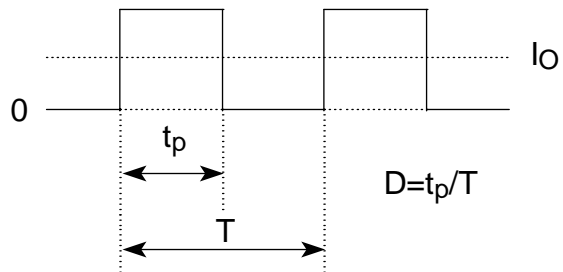
SF20H1R5 Reverse Current



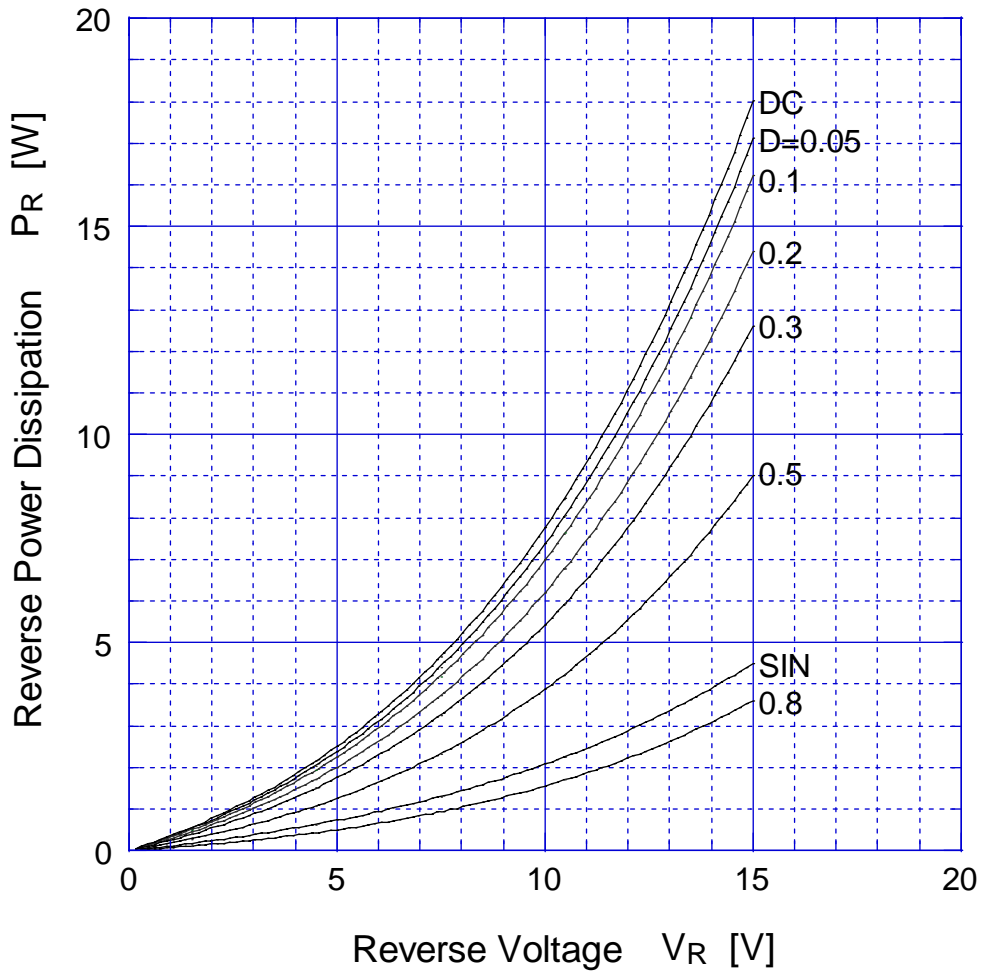
SF20H1R5 Forward Power Dissipation



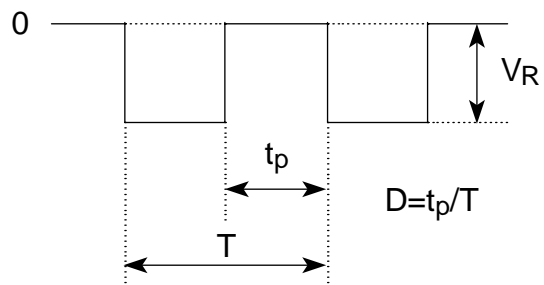
$T_j = 125^\circ\text{C}$



SF20H1R5 Reverse Power Dissipation

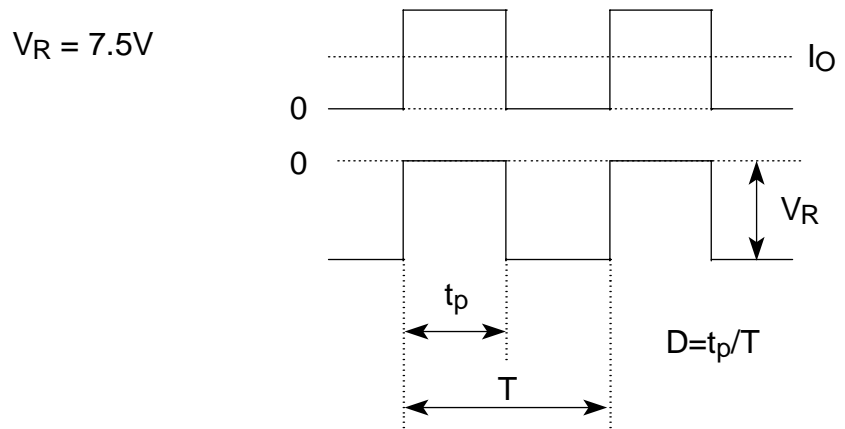
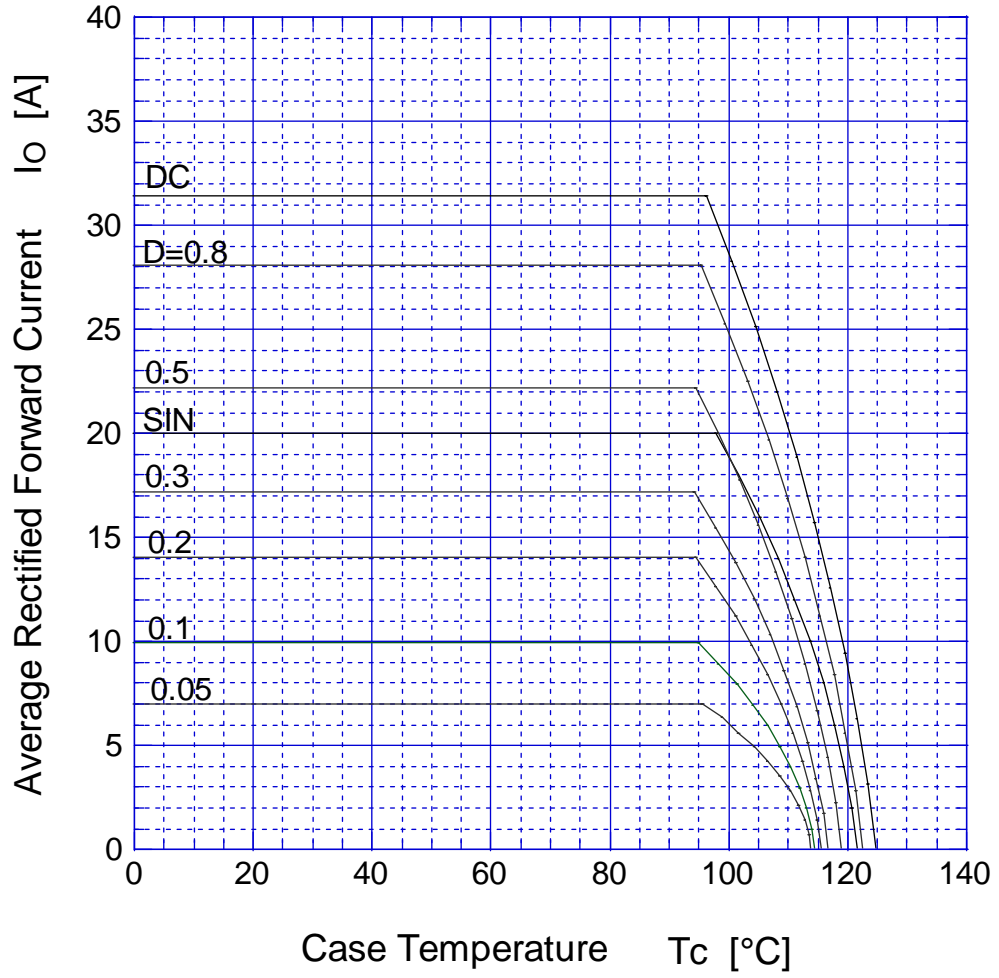


$T_j = 125^\circ\text{C}$

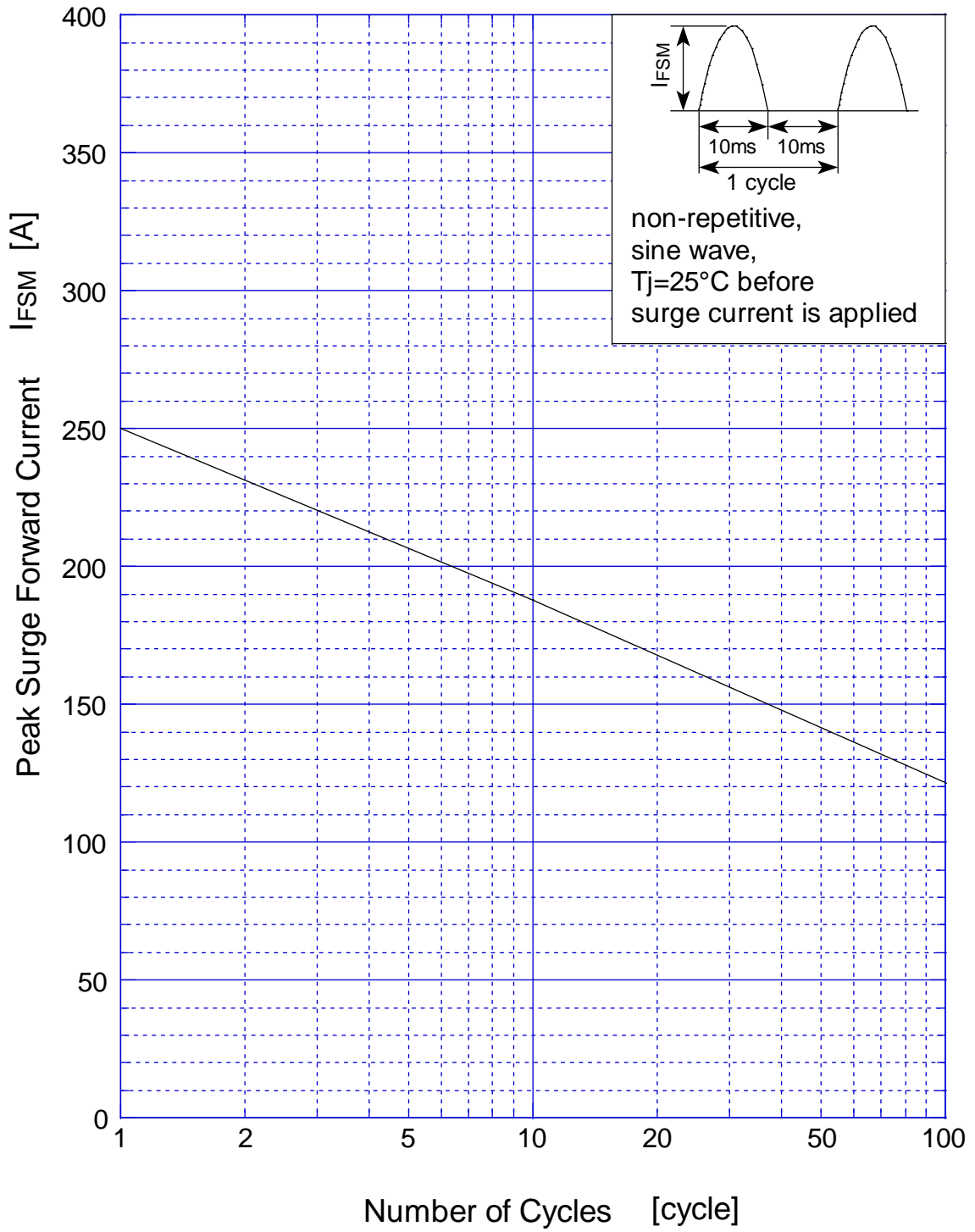


SF20H1R5

Derating Curve



SF20H1R5 Peak Surge Forward Capability



SF20H1R5 Junction Capacitance

