

## 4-Differential Channel, 3:1 Mux/DeMux, DVI/HDMI Compliant Signal Switch based on TMDS Signaling Standard

### Features

- 4-Differential Channel 3:1 Mux/DeMux
- TMDS Signaling
- Data Rate: 1.65Gbps
- Crosstalk: -30dB@1.65Gbps
- Switching speed: 4ns
- Isolation: -35dB@1.65Gbps
- ESD: Data bits @ 8kV HBM, select bit @ 2 kV HBM
- Near-Zero Prop Delay: 250ps max.
- Low bit-to-bit skew
- Hot insertion capable
- Enable/Disable Time: 9ns
- Bidirectional
- Packaging (Pb-free & Green):  
64-pin TSSOP (A)

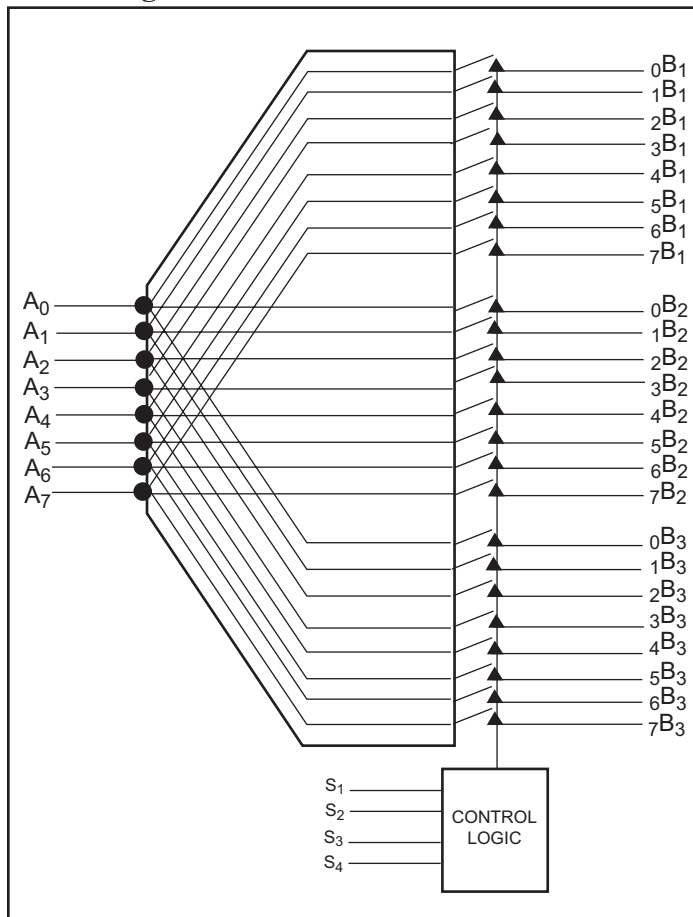
### Description

Pericom Semiconductor's PI3HDMI series of switch circuits are targeted for high-resolution video networks that are based on DVI/HDMI standards, and TMDS signal processing. The PI3HDMI413 is a 12- to 4-Differential Channel Mux/DeMux Switch. The device multiplexes differential signals to one of three corresponding outputs. The switch is bidirectional and offers little or no attenuation of the high-speed signals at the outputs. It is designed for low bit-to-bit skew and high channel-to-channel noise isolation.

The maximum DVI/HDMI data rate of 1.65Gbps provides the resolution required by the next generation HDTV and PC graphics.

Because of its passive bidirectional feature, this switch can be used either at the video drivers side or at the receiver side. For PC graphics applications, the device sits at the drivers side to switch between multiple display units such as PC LCD monitor, projector, TV, etc. For consumer video applications, the device sits at the receiver end to switch between the source components such as DVD, D-VHS, STB, etc.

### Block Diagram



### Pin Description

VSS	1	64	VDD
VDD	2	63	VSS
VSS	3	62	0B1
VSS	4	61	1B1
VSS	5	60	2B1
S1	6	59	3B1
S2	7	58	0B2
VDD	8	57	1B2
A0	9	56	2B2
A1	10	55	3B2
A2	11	54	VSS
A3	12	53	VDD
VDD	13	52	0B3
VSS	14	51	1B3
VDD	15	50	2B3
VDD	16	49	3B3
VSS	17	48	4B1
VDD	18	47	5B1
S3	19	46	6B1
S4	20	45	7B1
VDD	21	44	4B2
A4	22	43	5B2
A5	23	42	6B2
A6	24	41	7B2
A7	25	40	VDD
VDD	26	39	4B3
VSS	27	38	5B3
VSS	28	37	6B3
VSS	29	36	7B3
VSS	30	35	VSS
VDD	31	34	VSS
VSS	32	33	VDD

**Truth Table for X=[0,3]**

S2	S1	Function
0	0	$A_x = xB_1$
0	1	$A_x = xB_2$
1	0	$A_x = xB_3$
1	1	$A_x = \text{Hi-Z}$

**Truth Table for X=[4,7]**

S4	S3	Function
0	0	$A_x = xB_1$
0	1	$A_x = xB_2$
1	0	$A_x = xB_3$
1	1	$A_x = \text{Hi-Z}$

**Pin Description**

Pin #	Pin Name	Description
2,8,13,15,16,18,21,26,31,33,40,53,64	$V_{DD}$	+ Power supply 3.30
1,3,4,5,14,17,27,28,29,30,32,34,35,54,63	$V_{SS}$	- Power supply
6,7,19,20	$S_x$	Select pin, see truth table
9,10,11,12,22-25,36-39,41-52,55-62	$xBy$ & $A_x$	Differential data signals

**Maximum Ratings**

(Above which useful life may be impaired. For user guidelines, not tested.)

Storage Temperature .....	-65°C to +150°C
Supply Voltage to $V_{SS}$ Potential.....	-0.5V to +2.5V
DC Input Voltage .....	$V_{SS}$ to $V_{DD}$
DC Output Current .....	120mA
Power Dissipation .....	0.5W

**Note:**

Stresses greater than those listed under MAXIMUM RATINGS may cause permanent damage to the device. This is a stress rating only and functional operation of the device at these or any other conditions above those indicated in the operational sections of this specification is not implied. Exposure to absolute maximum rating conditions for extended periods may affect reliability.

**DC Power Supply Characteristics**

Parameter	Description	Min.	Max.	Units
$V_{DD}$	Positive Power Supply	3.0	3.6	V
$V_{SS}$	Negative Power Supply	1.5	1.6	V

**DC Electrical Characteristics for Switching over Operating Range** ( $T_A = -40^\circ\text{C}$  to  $+85^\circ\text{C}$ )

Parameter	Description	Test Conditions <sup>(1)</sup>	Min.	Typ. <sup>(2)</sup>	Max.	Units
$V_{IH}^{(3)}$	Input HIGH Voltage	Guaranteed HIGH level	$0.65(V_{DD}-V_{SS})+V_{SS}$			V
$V_{IL}^{(3)}$	Input LOW Voltage	Guaranteed LOW level	$-0.5+V_{SS}$		$0.35(V_{DD}-V_{SS})+V_{SS}$	
$V_{IK}$	Clamp Diode Voltage	$V_{DD}=\text{Max.}, I_{IN}=-18\text{mA}$		$-0.7+V_{SS}$	$-1.2+V_{SS}$	
$I_{IH}$	Input HIGH Current	$V_{DD}=\text{Max.}, V_{IN}=V_{DD}$			$\pm 5$	$\mu\text{A}$
$I_{IL}$	Input LOW Current	$V_{DD}=\text{Max.}, V_{IN}=V_{SS}$			$\pm 5$	

**Notes:**

- For Max. or Min. conditions, use appropriate value specified under Electrical Characteristics for the applicable device type.
- Typical values are at  $T_A = 25^\circ\text{C}$  ambient and maximum loading.
- $V_{IH} + V_{IL}$  are for SEL input only.

### Power Supply Characteristics

Parameters	Description	Test Conditions <sup>(1)</sup>	Min.	Typ. <sup>(2)</sup>	Max.	Units
I <sub>CC</sub>	Quiescent Power Supply Current	V <sub>DD</sub> = Max., V <sub>IN</sub> = V <sub>DD</sub> or V <sub>SS</sub>		450		μA

**Notes:**

1. For Max. or Min. conditions, use appropriate value specified under Electrical Characteristics for the applicable device type.
2. Typical values are at T<sub>A</sub> = 25°C ambient and maximum loading.

### Dynamic Electrical Characteristics Over the Operating Range (T<sub>A</sub> = -40° to +85°C)

Parameter <sup>(1)</sup>	Description	Test Conditions	Min.	Typ. <sup>(2)</sup>	Max.	Units
X <sub>TALK</sub>	Crosstalk	See Fig. 1 for Measurement Setup, @ 1.65Gbps		-30		dB
O <sub>IRR</sub>	OFF Isolation	See Fig. 2 for Measurement Setup, @ 1.65Gbps		-35		
DR	Data Rate			1.65		Gbps

**Notes:**

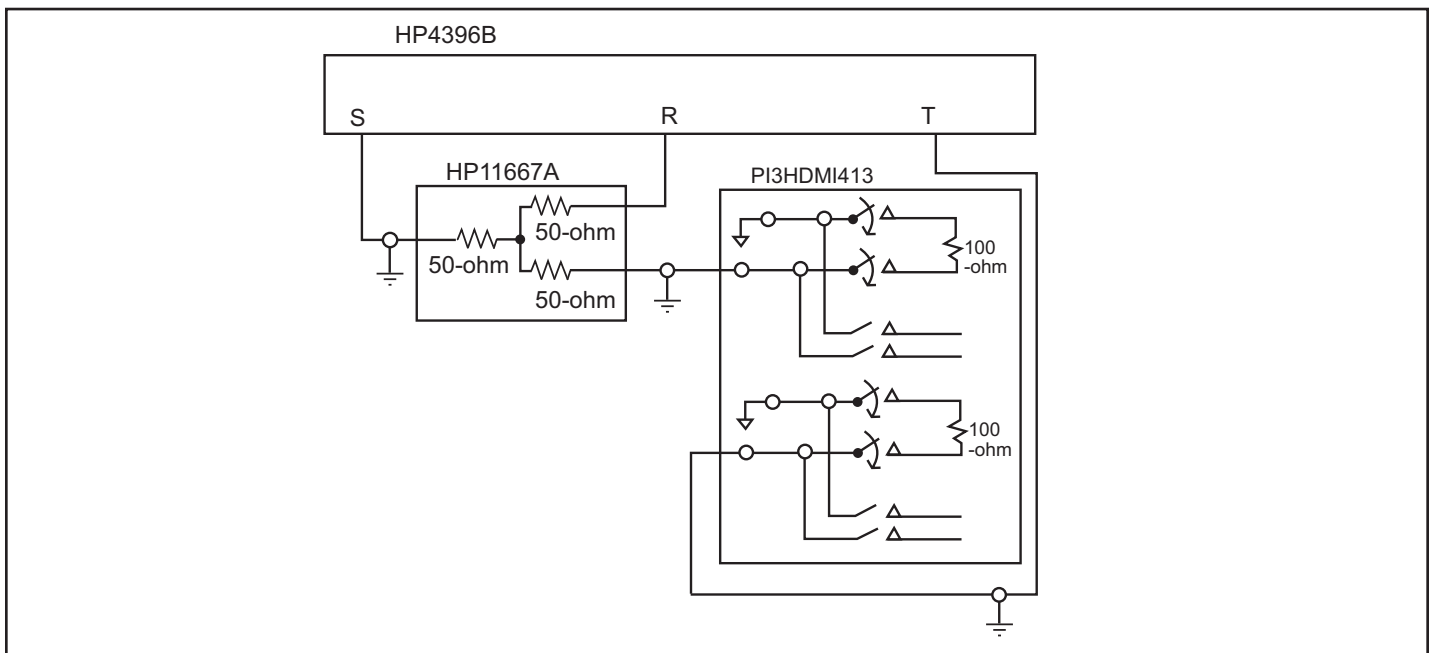
1. Guaranteed by design.
2. Typical values are at T<sub>A</sub> = 25°C ambient and maximum loading.

### Switching Characteristics (T<sub>A</sub> = -40° to +85°C, V<sub>SS</sub> = 0V, V<sub>DD</sub> = 1.8V ± 10%)

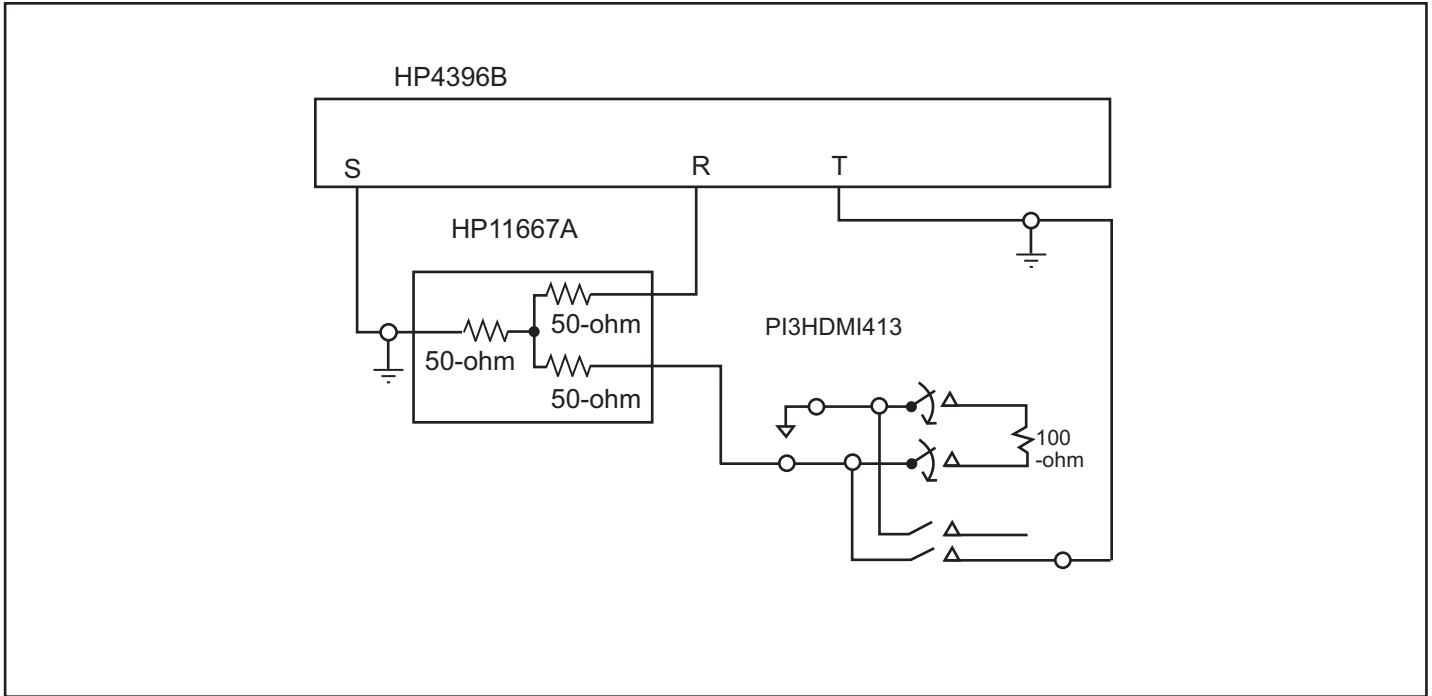
Parameter	Description <sup>(1)</sup>	Min.	Max.	Units
t <sub>PZH</sub> , t <sub>PZL</sub>	Line Enable Time - SEL to A <sub>N</sub> , B <sub>N</sub>	0.5	8.0	nS
t <sub>PHZ</sub> , t <sub>PLZ</sub>	Line Disable Time - SEL to A <sub>N</sub> , B <sub>N</sub>	0.5	4.0	

**Note:**

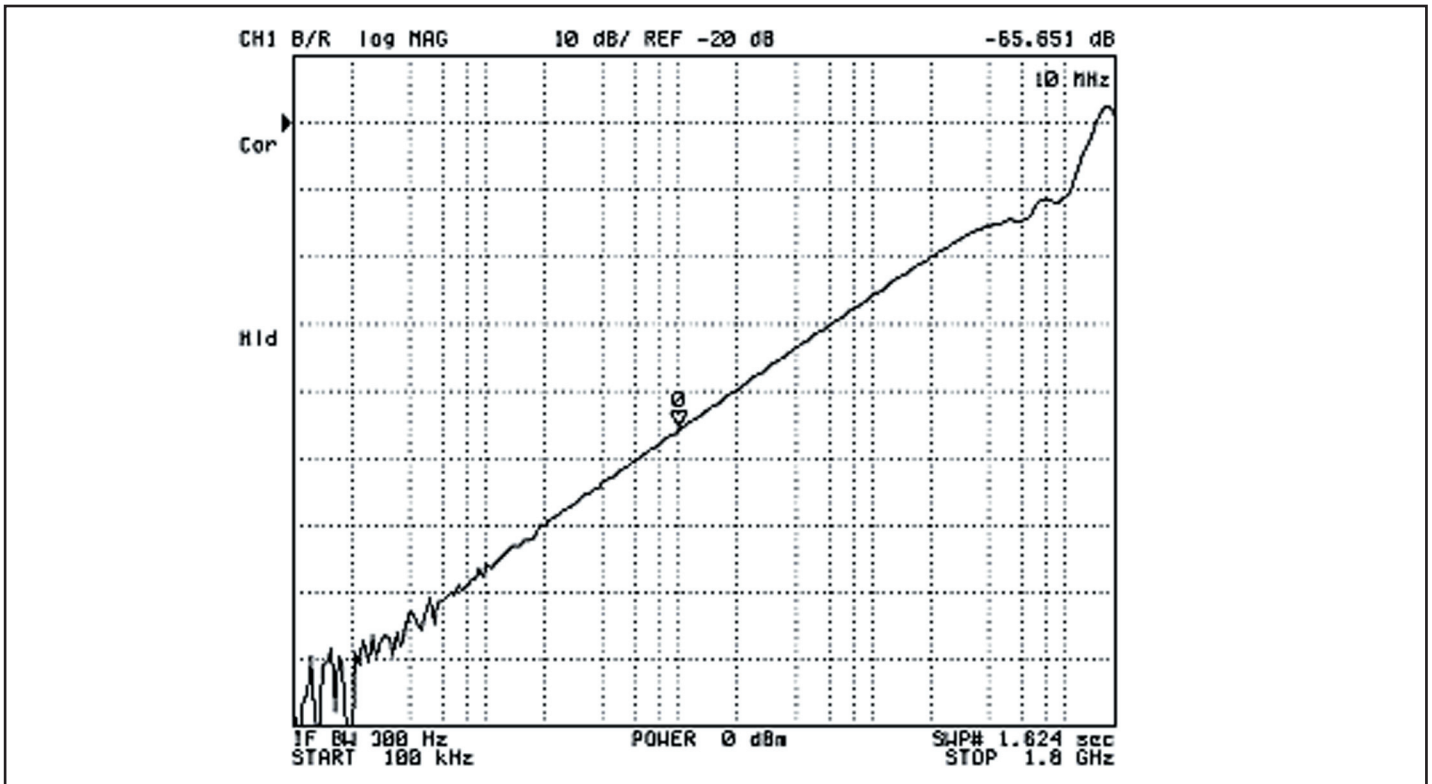
1. For measurement setup, please see “Test Circuit For Electrical Characteristic” on page 6, and “Switching waveforms” on page 7



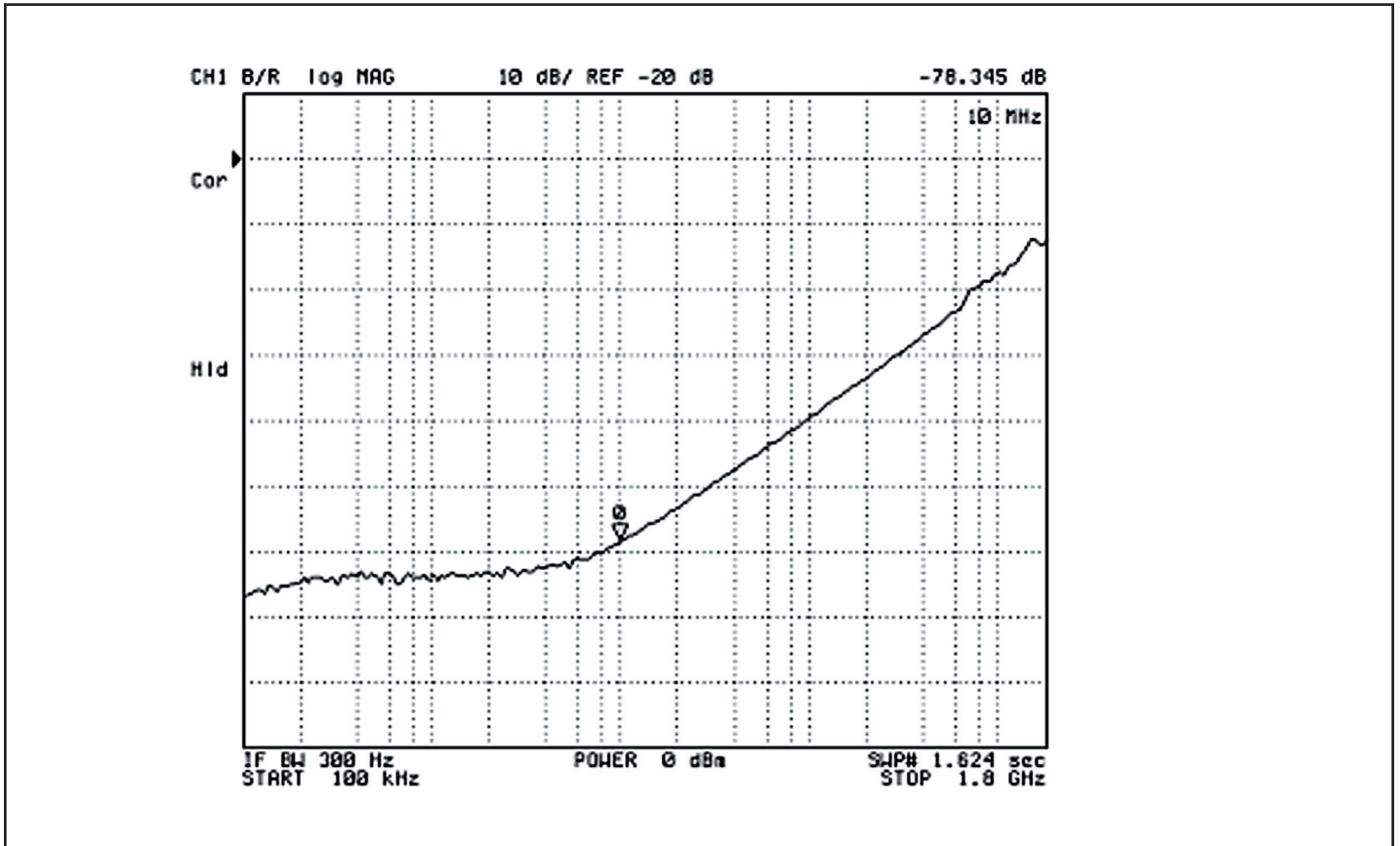
**Fig 1. Crosstalk Setup**



**Fig 2. Off-isolation setup**

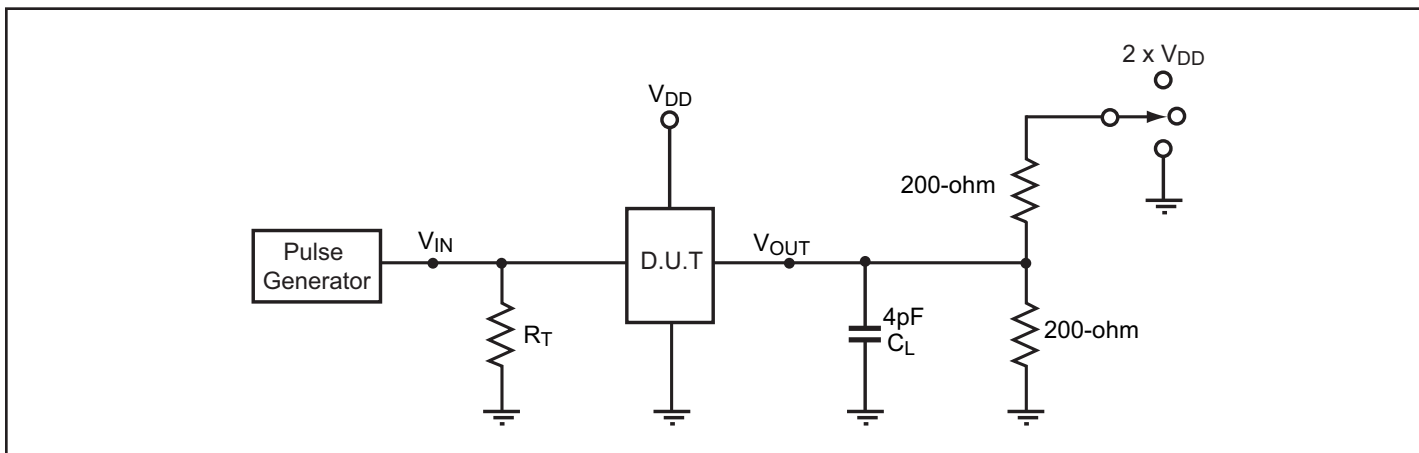


**Fig 3. Crosstalk**



**Fig 4. Off Isolation**

### Test Circuit for Electrical Characteristics<sup>(1)</sup>



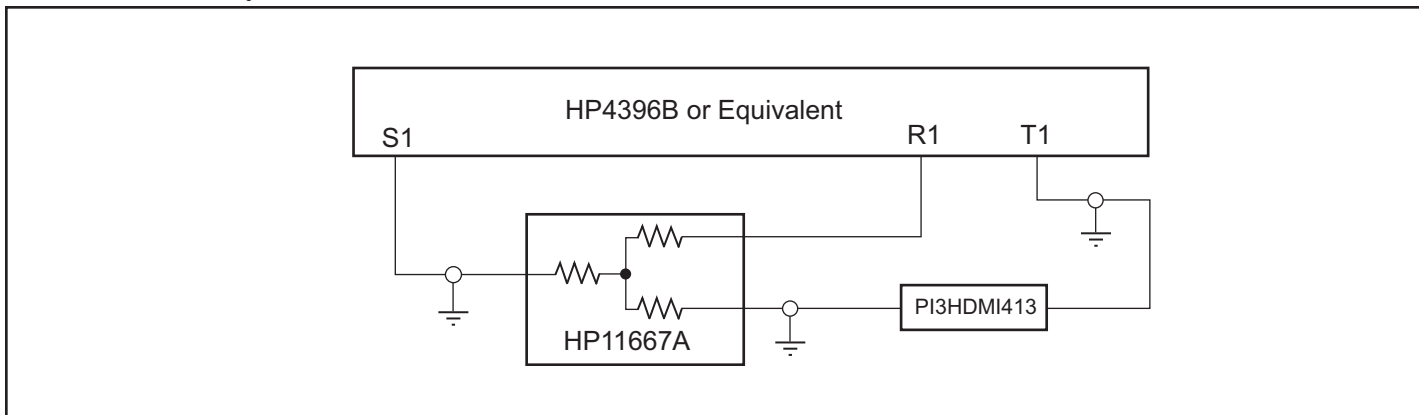
**Notes:**

1.  $C_L$  = Load capacitance: includes jig and probe capacitance.
2.  $R_T$  = Termination resistance: should be equal to  $Z_{OUT}$  of the Pulse Generator
3. Waveform 1 is for an output with internal conditions such that the output is low except when disabled by the output control.  
Waveform 2 is for an output with internal conditions such that the output is high except when disabled by the output control.
4. All input impulses are supplied by generators having the following characteristics:  $PRR \leq \text{MHz}$ ,  $Z_O = 50\Omega$ ,  $t_R \leq 2.5\text{ns}$ ,  $t_F \leq 2.5\text{ns}$ .
5. The outputs are measured one at a time with one transition per measurement.

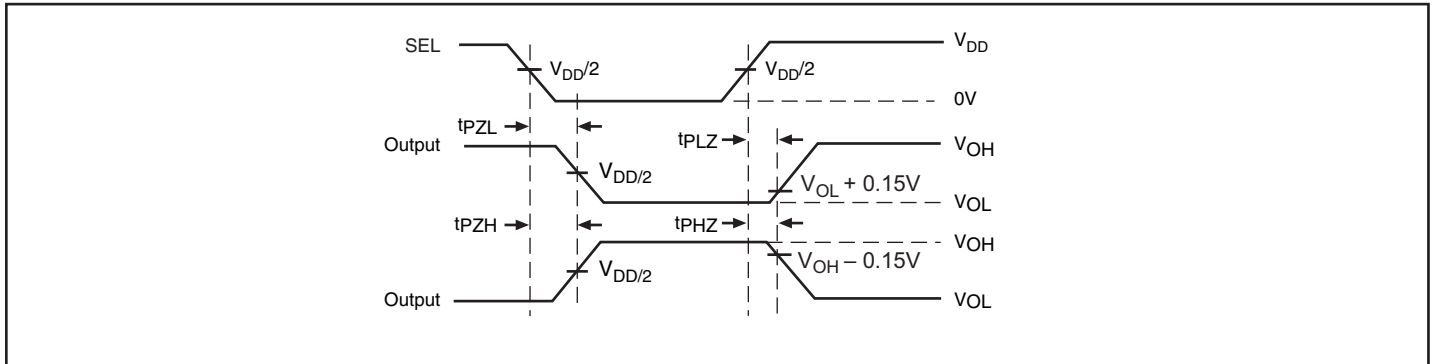
### Switch Positions

Test	Switch
$t_{PLZ}$ , $t_{PZL}$ (output on B-side)	$2 \times (V_{DD} - V_{SS})$
$t_{PHZ}$ , $t_{PZH}$ (output on B-side)	$V_{SS}$
Prop Delay	Open

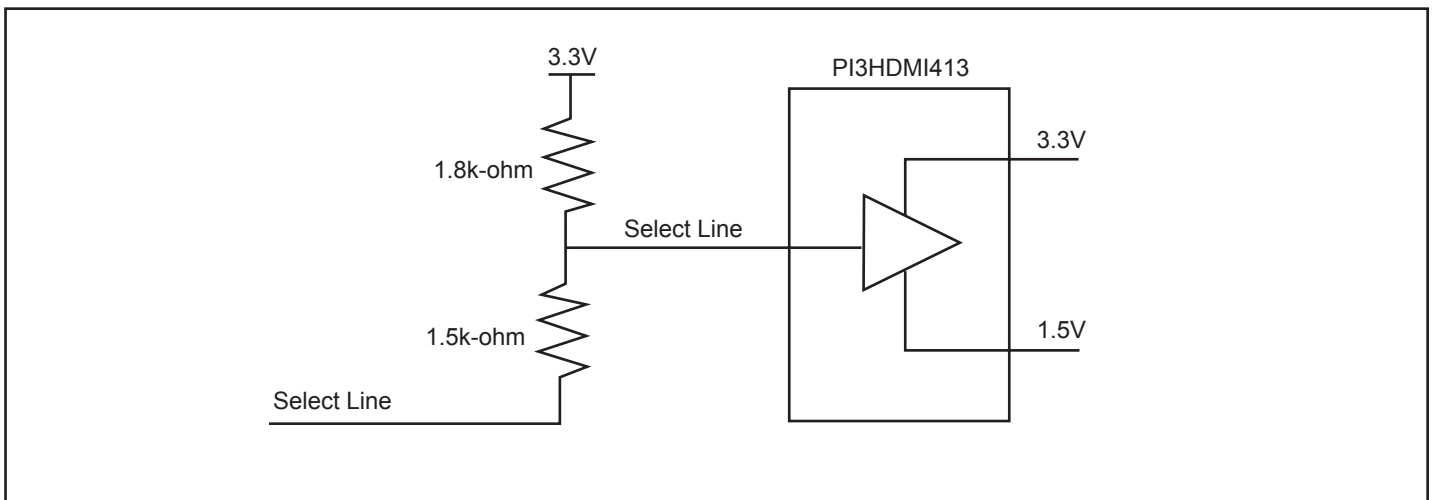
### Test Circuit for Dynamic Electrical Characteristics



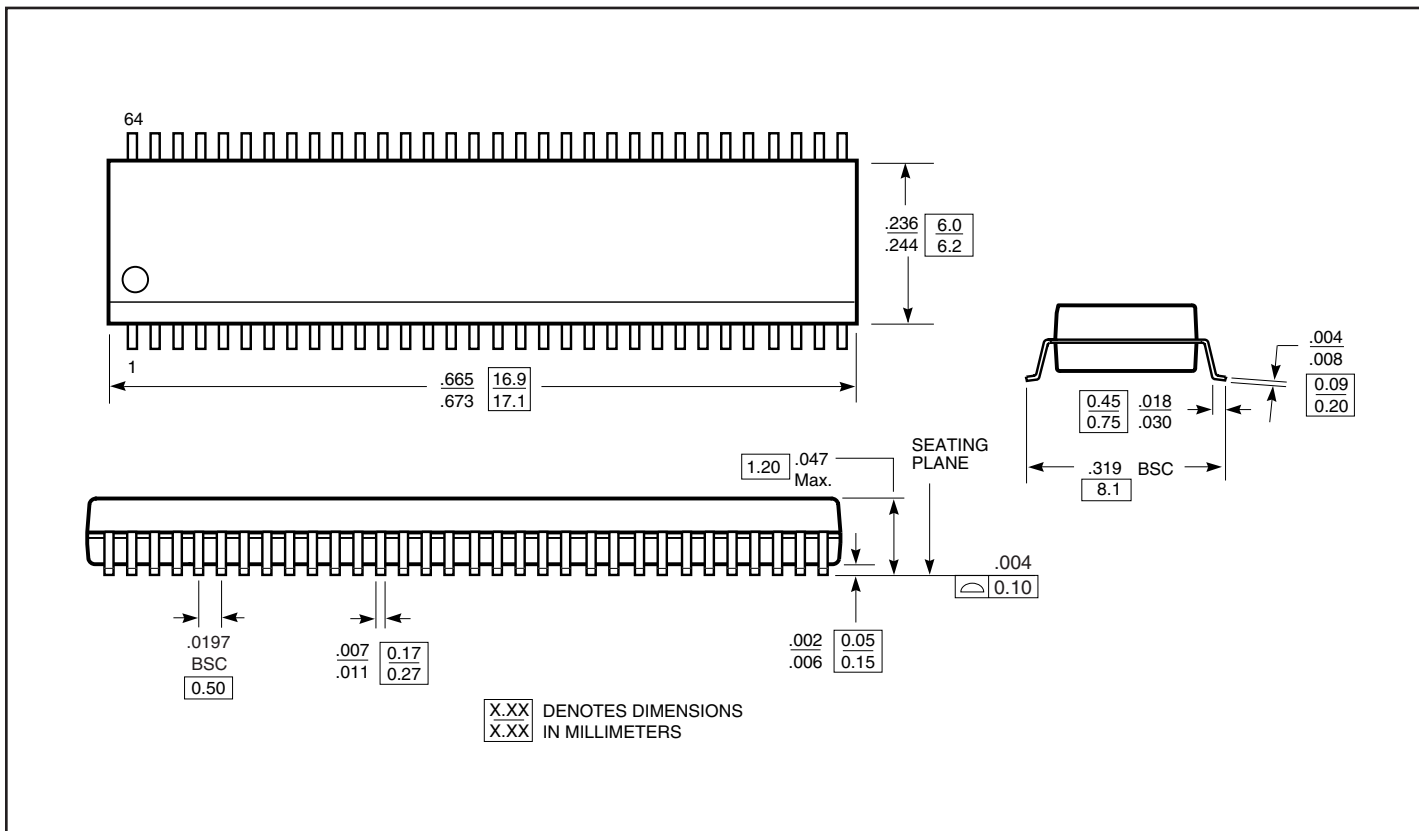
### Switching Waveforms



**Voltage Waveforms Enable and Disable Times**



**Example of a circuit that needs to be connected to the select lines of our device:**

**Packaging Mechanical: 64-pin TSSOP (A)**

**Ordering Information**

Ordering Code	Package Code	Package Description
PI3HDMI413AE	A	Pb-free & Green, 64-pin TSSOP

**Notes:**

- Thermal characteristics can be found on the company web site at [www.pericom.com/packaging/](http://www.pericom.com/packaging/)
- E = Pb-free & Green
- X suffix = Tape/Reel