

MTSM2142B-UYO

Features

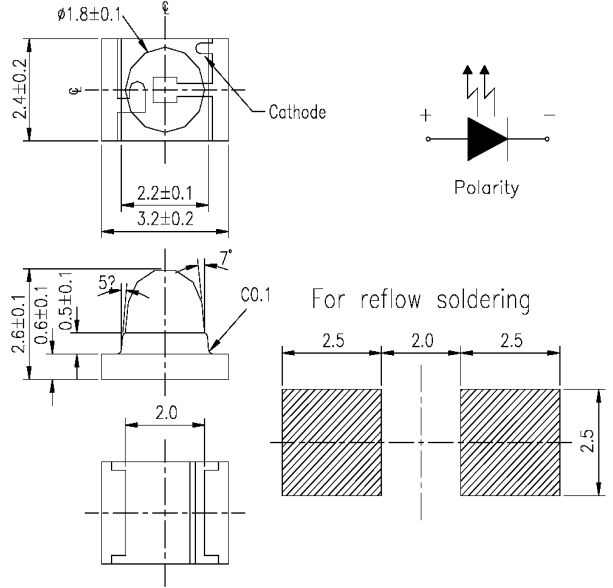
- Compatible with Automatic Placement Equipment
- Packaged in 12.0mm Tape on 7" Diameter Reel
- Surface Mount LED Lamp
- Long Life Solid State Reliability
- 1000 Pieces per Reel

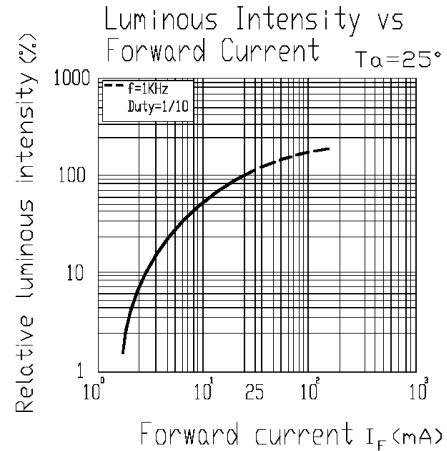
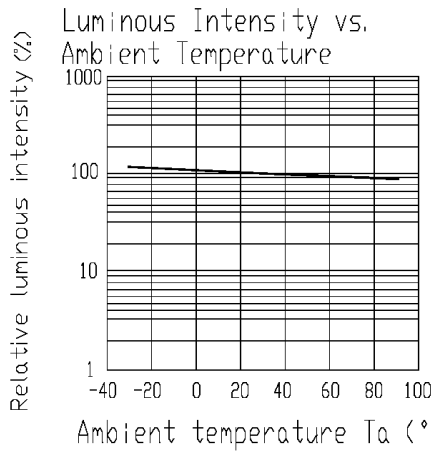
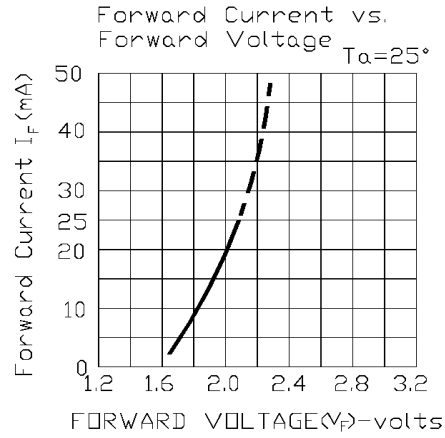
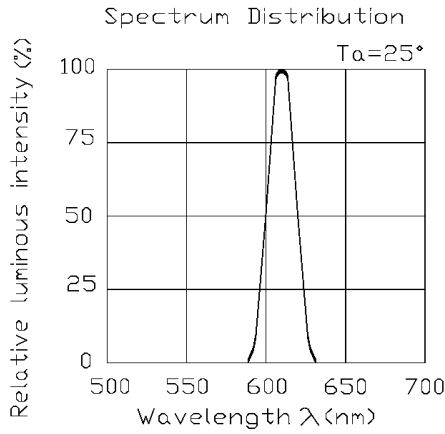
Maximum Ratings (Ta=25°C)

Characteristic	Symbol	Max.	Unit
Forward Current	I _F	25	mA
Reverse Voltage	V _R	5	V
Power Dissipation	P _D	60.00	mW
Operating Temperature	T _{opr}	-40 ~ +85	°C
Storage Temperature	T _{stg}	-40 ~ +90	°C
Soldering Temperature	T _{sol}	260	°C
Soldering Time	-	for 5 sec. max	-

Opto-Electrical Characteristics (Ta=25°C)

Characteristic	Symbol	Test Condition	Min	Typ	Max	Unit
Forward Voltage	V _F	I _F =20mA	-	2.00	2.40	V
Reverse Current	I _R	V _R =5V	-	-	10	μ A
Luminous Intensity	I _v	I _F =20mA	230.00	362.00	-	mcd
Viewing Angle	2θ ^{1/2}	-	-	30°	-	deg.
Peak Wavelength	λ _p	I _F =20mA	-	610	-	nm
Dominant Wavelength	λ _d	I _F =20mA	-	606	-	nm
Spectral Line Half Width	Δλ	I _F =20mA	-	17	-	nm





Forward Current Derating Curve

