

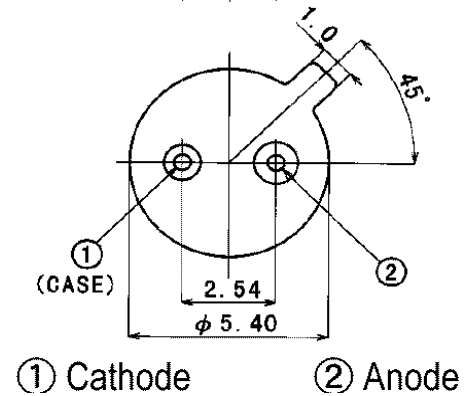
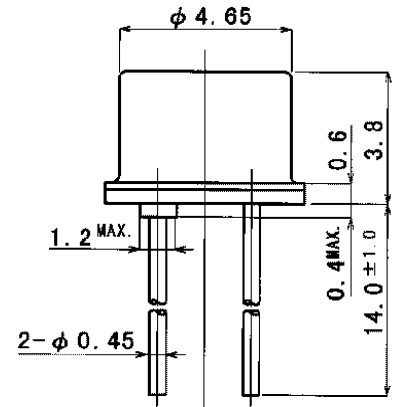
MTPS4088WC

Features

High Power Output
 High Reliability
 Point Source LED
 Small Temp. Coefficient of PO
 Emitting Window Diameter 50 μ m

Applications

Optical Switches
 Optical Instruments



Maximum Ratings (Ta=25°C)

| Characteristic | Symbol | Max. | Test Condition | Unit |
|------------------------|------------------|------------|--------------------------|------|
| Forward Current | I _F | 80 | – | mA |
| Pulsed Forward Current | I _{FP} | .40 | tw=10 μ S, T=10mS | A |
| Reverse Voltage | V _R | 5 | – | V |
| Power Dissipation | P _D | 150.00 | – | mW |
| Operating Temperature | T _{opr} | -30 ~ +100 | – | °C |
| Storage Temperature | T _{stg} | -40 ~ +125 | – | °C |
| Junction Temperature | T _j | 125 | – | °C |
| Soldering Temperature | T _{sol} | 260 | for 5 sec. max | °C |

Opto-Electrical Characteristics (Ta=25°C)

| Characteristic | Symbol | Test Condition | Min | Typ | Max | Unit |
|------------------------------------|-----------------|---|------|----------------|------|---------|
| Forward Voltage | V _F | I _F =50mA | – | 1.60 | 2.70 | V |
| Reverse Current | I _R | V _R =5V | – | – | 10 | μ A |
| Power Output | PO | I _F =50mA | 1.60 | 2.70 | – | mW |
| Half Intensity Beam Angle | θ | – | – | $\pm 45^\circ$ | – | deg. |
| Peak Wavelength | λ_p | I _F =50mA | – | 880 | – | nm |
| Spectral Line Half Width | $\Delta\lambda$ | I _F =50mA | – | 40 | – | nm |
| Temp Coefficient of PO | P/T | I _F =10mA | – | -.05 | – | %/°C |
| Temp Coefficient of V _F | V/T | I _F =10mA | – | -2.30 | – | mV/°C |
| Junction Capacitance | C _j | 1MHz, V=0V | – | 40 | – | pF |
| Cut-Off Frequency | f _c | I _{FP} =50mA+20mA _{p-p} | -- | 20 | – | MHz |

Company Headquarters

3 Northway Lane North
 Latham, New York 12110
 Toll Free: 800.984.5337
 Fax: 518.785.4725

West Coast Sales Office

950 South Coast Drive, Suite 265
 Costa Mesa, California 92626
 Toll Free: 800.984.5337
 Fax: 714.850.9314

MTPS4088WC Graphs

