

1.0" Bi-Color Single Digit Display

FEATURES

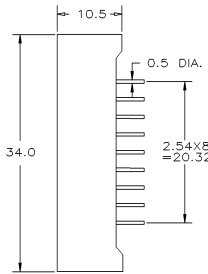
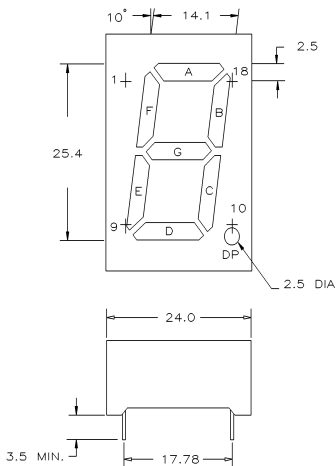
- 1.0" digit height
- Right hand decimal point
- Grey surface/white epoxy color

OPTO-ELECTRICAL CHARACTERISTICS (Ta = 25°C)

PART NO.	EMITTED COLOR	PEAK WAVE LENGTH (nm)	MAXIMUM RATINGS			OPTO-ELECTRICAL CHARACTERISTICS								PIN-OUT
			IF (mA)	VR (V)	PD (mW)	VF(V)			IR(μA)		IV(μcd)			
						seg. typ.	DP typ.	@mA	max.	@VR	typ. per seg.	@mA		
MTN6125-CRG	(R)	Red	700	30	5	85	4.2	2.1	20	100	5	1200	10	1
	(G)	Green	567	30	5	85	4.2	2.1	20	100	5	4600	10	1
MTN6125-CHRG	(HR)	Hi-Eff Red	635	30	5	85	4.2	2.1	20	100	5	5200	10	1
	(G)	Green	567	30	5	85	4.2	2.1	20	100	5	4600	10	1

Operating Temperature: -25~+85, Storage Temperature: -25~+100. Other face/epoxy colors are available.

PACKAGE DIMENSIONS AND PIN FUNCTIONS



PINOUT 1

PIN NO. FUNCTION

1. ANODE A (GREEN)
2. ANODE A (HR OR RED)
3. ANODE F (HR OR RED)
4. ANODE F (GREEN)
5. COMMON CATHODE
6. ANODE E (HR OR RED)
7. ANODE E (GREEN)
8. ANODE D (GREEN)
9. ANODE D (HR OR RED)
10. ANODE RHDP (GREEN)
11. ANODE RHDP (HR OR RED)
12. ANODE C (GREEN)
13. ANODE C (HR OR RED)
14. ANODE G (GREEN)
15. ANODE G (HR OR RED)
16. ANODE B (GREEN)
17. ANODE B (HR OR RED)
18. COMMON CATHODE

1. ALL DIMENSIONS ARE IN mm, TOLERANCE IS ± 0.25 mm UNLESS OTHERWISE SPECIFIED.
2. THE SLOPE ANGLE OF ANY PIN MAY BE $\pm 5.0^\circ$ MAX.



120 Broadway • Menands, New York 12204

Toll Free: (800) 98-4LEDS • Fax: (518) 432-7454

For up-to-date product info visit our web site at www.marktechopto.com

All specifications subject to change.