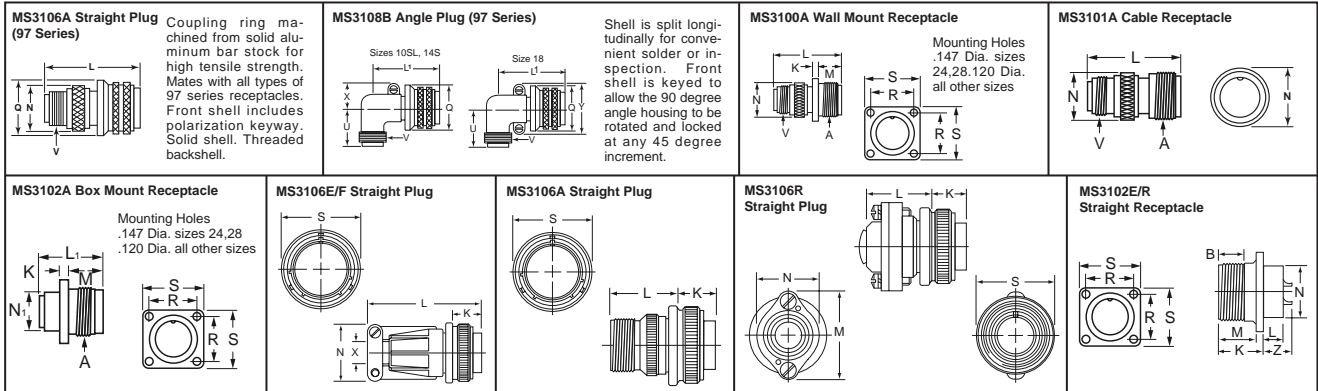


Amphenol® Circular 97 Series Threaded Connectors with Solder Contacts (MIL-C-5015 Type)

Underwriters Laboratories approved recognition
File E115497. Canadian Standard Association
Certification File LR69183

Low cost, general duty, non-environmental MIL-C-5015 type connectors. Available in either A solid or B split shell styles. Used extensively in the machine tool industry, welding industry and numerous other commercial applications. • Single key/keyway polarization • Threaded coupling • Hard dielectric inserts made of diallyl-phthalate • Aluminum alloy components with a conductive cadmium plate finish and olive chromate after-treatment • Contacts are solder type, silver plated with pre-tinned solder cups • Cable clamps are zinc alloy with olive drab/green chromate finish

A



Insert Patterns
(Front face of pin insert shown. Drawings not to scale.)

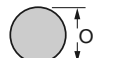


SERVICE RATING:

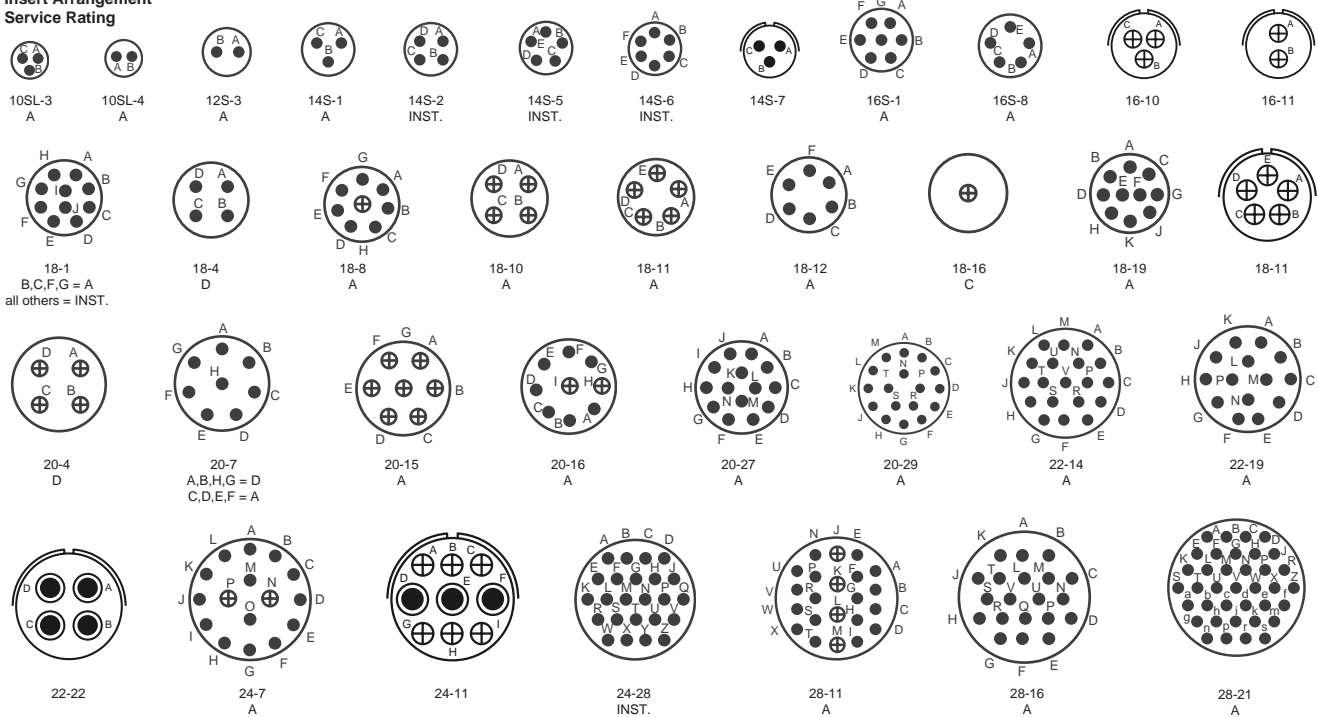
	DC	INST	A	D	E	B	C
Limited Operating Voltages at Sea Level	250	700	1250	1750	2450	4200	
AC(rms)	200	500	900	1250	1750	3000	

TEST CURRENT: Contact Size 16 = 13 amperes, Contact Size 12 = 23 amperes
NOTE: Transients were not considered in calculating these values.
NOTE: Limiting operating voltage at 50,000 feet altitude are approx. 25% of the sea level values.

Panel Opening



Insert Arrangement Service Rating



97 Series Plugs

Shell Size/ Insert Arrangement No.	No. of Contacts/ Size	Description	Digi-Key Part No.	Price Each			Dimensions in Inches							Amphenol Part No.	
				1	10	50	L Max.	L1 Max.	N Ref.	Q Max.	U Ref.	V Fitting Thread	X Ref.		Y Ref.
<i>Straight Plugs with Solid Shells</i>															
10SL-3	3/16	Straight Plug w/Socket	97-3106A-10SL-3S-ND	12.00	8.40	6.24	1-3/8	—	3/4	7/8	—	5/8-24	—	—	97-3106A-10SL-3S
10SL-4	2/16	Straight Plug w/Socket	97-3106A-10SL-4S-ND	11.35	7.95	5.91		—	—	—	—	—	—	—	97-3106A-10SL-4S
12S-3	2/16	Straight Plug w/Pins	97-3106A-12S-3P-ND	10.40	7.28	5.41	1-7/16	—	25/32	1	—	5/8-24	—	—	97-3106A-12S-3P
		Straight Plug w/Socket	97-3106A-12S-3S-ND	11.13	7.79	5.79									
14S-1	3/16	Straight Plug w/Pins	97-3106A-14S-1P-ND	10.43	7.30	5.43	1-15/32	—	7/8	1-1/8	—	3/4-20	—	—	97-3106A-14S-1P
		Straight Plug w/Socket	97-3106A-14S-1S-ND	12.30	8.61	6.40									97-3106A-14S-1S
14S-2	4/16	Straight Plug w/Pins	97-3106A-14S-2P-ND	10.38	7.27	5.40	1-15/32	—	7/8	1-1/8	—	3/4-20	—	—	97-3106A-14S-2P
		Straight Plug w/Socket	97-3106A-14S-2S-ND	12.88	9.02	6.70									97-3106A-14S-2S

(Continued)

More Product Available Online: www.digikey.com

Toll-Free: 1-800-344-4539 • Phone: 218-681-6674 • Fax: 218-681-3380

