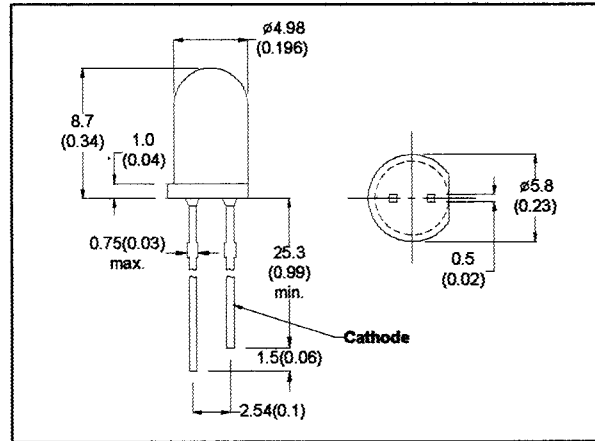


#### DESCRIPTION

MOB51CR and MOB51DR are high efficiency red LED lamp encapsulated in a 5mm diameter, round type lens.

MOB51CR with red transparent lens and  
MOB51DR with red diffused lens.



- All Dimension in mm (inch)
- No Scale
- Tol : +/- 0.3mm

#### ABSOLUTE MAXIMUM RATINGS

Power Dissipation @ Ta=25°C	90mW
Forward Current, DC (IF)	30mA
Reverse Voltage	5V
Operating & Storage Temperature Range	-55 to +100°C
Lead Soldering Temperature (1/16" from body)	260°C for 5 sec.

#### ELECTRO-OPTICAL CHARACTERISTICS

(Ta=25°C)

PARAMETER	SYMBOL	MOB51CR	MOB51DR	UNIT	CONDITIONS
Forward Voltage	MAX VF	3.0	3.0	V	IF=20mA
Reverse Breakdown Voltage	MIN BVR	5	5	V	IR=100 μA
Luminous Intensity	MIN IV	80	35	mcd	IF=20mA
	TYP	150	60	mcd	
Peak Wavelength	TYP λp	640	640	nm	IF=20mA
Spectral Line Half Width	TYP Δλ	40	40	nm	IF=20mA

Rev.A.

MICRO ELECTRONICS LTD.

38, Hung To Road, Microtron Building, Kwun Tong, Kowloon, Hong Kong.

Kwun Tong P.O. Box 69477 Hong Kong. Fax No. 2341 0321 Telex:43510 Micro Hx. Tel: 2343 0181-5

Sep-99