

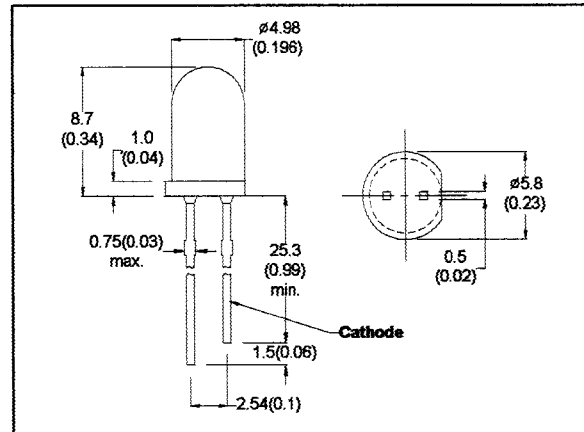
MICRO ELECTRONIC

(MGB51TA)

ULTRA HIGH
BRIGHTNESS
GREEN LED LAMP

DESCRIPTION

MGB51TA-X is high efficiency green LED lamp encapsulated in a 5mm diameter clear transparent lens .



- All Dimension in mm (inch)
- No Scale
- Tol : +/- 0.3mm

ABSOLUTE MAXIMUM RATINGS

| | |
|--|------------------|
| Power Dissipation @ Ta=25°C | 90mW |
| Forward Current, DC (IF) | 30mA |
| Reverse Voltage | 5V |
| Operating & Storage Temperature Range | -55 to +100°C |
| Lead Soldering Temperature (1/16" from body) | 260°C for 5 sec. |

ELECTRO-OPTICAL CHARACTERISTICS (Ta=25°C)

| PARAMETER | SYMBOL | MIN | TYP | MAX | UNIT | CONDITIONS |
|---------------------------|--------|-----|-----|-----|--------|------------|
| Forward Voltage | VF | | 2.2 | 3.0 | V | IF=20mA |
| Reverse Breakdown Voltage | BVR | 5 | | | V | IR=100 μA |
| Luminous Intensity | IV | | | | mcd | IF=20mA |
| MGB51TA or MGB51TA-1 | | 200 | 500 | | mcd | IF=20mA |
| MGB51TA-2 | | 350 | 650 | | mcd | IF=20mA |
| MGB51TA-3 | | 500 | 800 | | mcd | IF=20mA |
| Peak Wavelength | λp | | 570 | | nm | IF=20mA |
| Spectral Line Half Width | Δλ | | 30 | | nm | IF=20mA |
| Viewing Angle | 2θ 1/2 | | 20 | | degree | IF=20mA |

MICRO ELECTRONICS LTD.

38, Hung To Road, Microtron Building, Kwun Tong, Kowloon, Hong Kong.

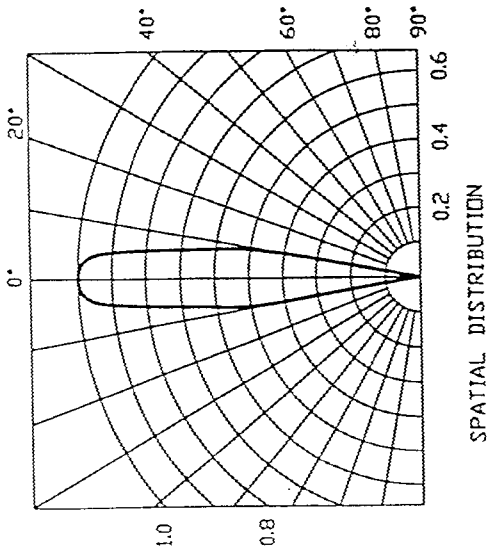
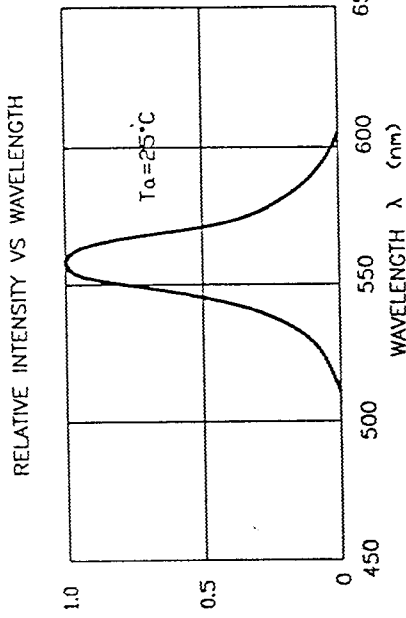
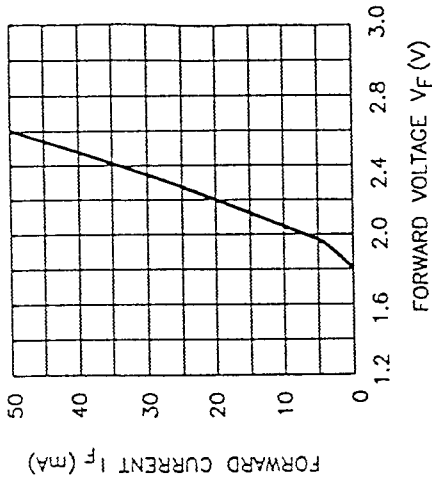
Kwun Tong P.O. Box 69477 Hong Kong. Fax No. 2341 0321 Telex:43510 Micro Hx. Tel: 2343 0181-5

Rev.A.

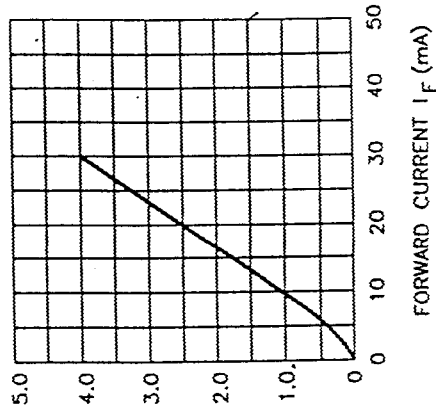
Sep-99

MGB51TA-X

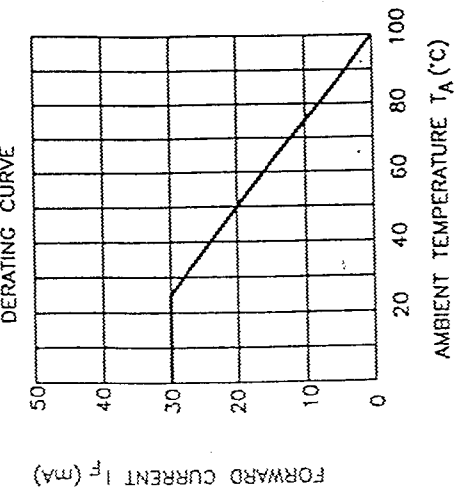
FORWARD CURRENTS VS FORWARD VOLTAGE



INTENSITY VS I_F



RELATIVE LUMINOUS INTENSITY (NORMALIZED AT 20 mA)



LUMINOUS INTENSITY VS AMBIENT TEMPERATURE CHARACTERISTICS

