



Micro Commercial Components

Micro Commercial Components
 20736 Marilla Street Chatsworth
 CA 91311
 Phone: (818) 701-4933
 Fax: (818) 701-4939

MC78L06F

Features

- Internal Short Circuit Current Limiting
- Internal Thermal Overload Protection
- No External Components Required
- Case Material: Molded Plastic. UL Flammability Classification Rating 94V-0

Maximum Ratings

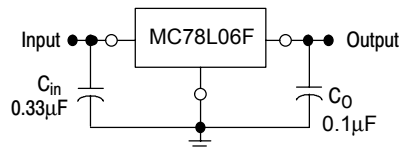
Parameter	Symbol	Value	Unit
Input Voltage	V_1	30	V
Operating Junction Temperature	T_{OPR}	-20---+120	°C
Storage Temperature Range	T_{STG}	-55---+150	°C

Electrical Characteristics ($V_1=12V, I_o=40mA, 0^\circ C < T_j < 125^\circ C, C_1=0.33\mu F, C_o=0.1\mu F$, unless otherwise specified)

Parameter	Sym	Min	Typ	Max	Test conditions
Output Voltage	V_o	5.75V	6.0V	6.25V	$T_j=25^\circ C$
		5.7V		6.3V	$8.5V \leq V_1 \leq 20V, I_o=1mA-40mA$
		5.7V		6.3V	$8.5V \leq V_1 \leq V_{MAX}, I_o=1mA-70mA$ (Note)
Load Regulation	ΔV_o		12.8mV	80mV	$I_o=1mA-100mA, T_j=25^\circ C$
			5.8mV	40mV	$I_o=1mA-70mA, T_j=25^\circ C$
Line regulation	ΔV_o		64mV 54mV	175mV 125mV	$8.5V \leq V_1 \leq 20V, T_j=25^\circ C$ $9V \leq V_1 \leq 20V, T_j=25^\circ C$
Quiescent Current	I_q ΔI_q		3.9mA	6.0mA	$9V \leq V_1 \leq 20V$
				1.5mA	
Quiescent Current Change	ΔI_q			0.1mA	$1mA \leq I_o \leq 40mA$
Output Noise Voltage	V_N		49uV		$10Hz \leq f \leq 100KHz$
Ripple Rejection	RR	41dB	46dB		$8V \leq V_1 \leq 20V, f=120Hz, T_j=25^\circ C$
Dropout Voltage	V_d		1.7V		$T_j=25^\circ C$

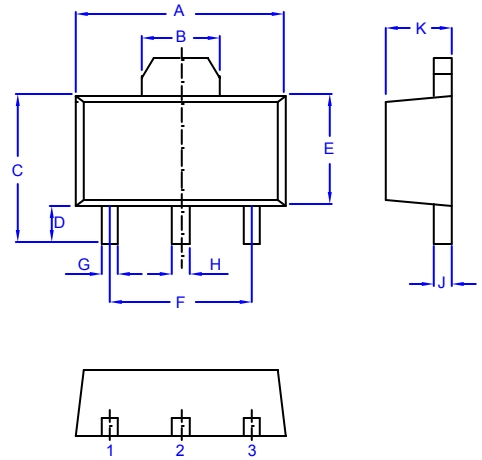
*Note: Bypass Capacitors are recommended for optimum stability and transient response and should be located as close as possible to the regulators

Typical Application:



Three-Terminal Low Current Positive Voltage Regulator

SOT-89



1. OUT
2. GND
3. IN

DIM	DIMENSIONS				NOTES
	INCHES		MM		
A	.173	.181	4.39	4.60	
B	.063	.071	1.60	1.80	
C	.154	.165	3.91	4.19	
D	.031	.039	0.80	1.00	
E	.092	.100	2.34	2.54	
F	.118	-----	3.00	-----	TYP
G	.013	.019	0.33	0.48	
H	.015	.021	0.38	0.53	
J	.015	.016	0.38	0.41	
K	.055	.063	1.40	1.60	



TM

Micro Commercial Components

*****IMPORTANT NOTICE*****

Micro Commercial Components Corp. reserves the right to make changes without further notice to any product herein to make corrections, modifications, enhancements, improvements, or other changes. *Micro Commercial Components Corp.* does not assume any liability arising out of the application or use of any product described herein; neither does it convey any license under its patent rights, nor the rights of others. The user of products in such applications shall assume all risks of such use and will agree to hold *Micro Commercial Components Corp.* and all the companies whose products are represented on our website, harmless against all damages.

*****APPLICATIONS DISCLAIMER*****

Products offer by *Micro Commercial Components Corp.* are not intended for use in Medical, Aerospace or Military Applications.