

LPX50 Enclosure

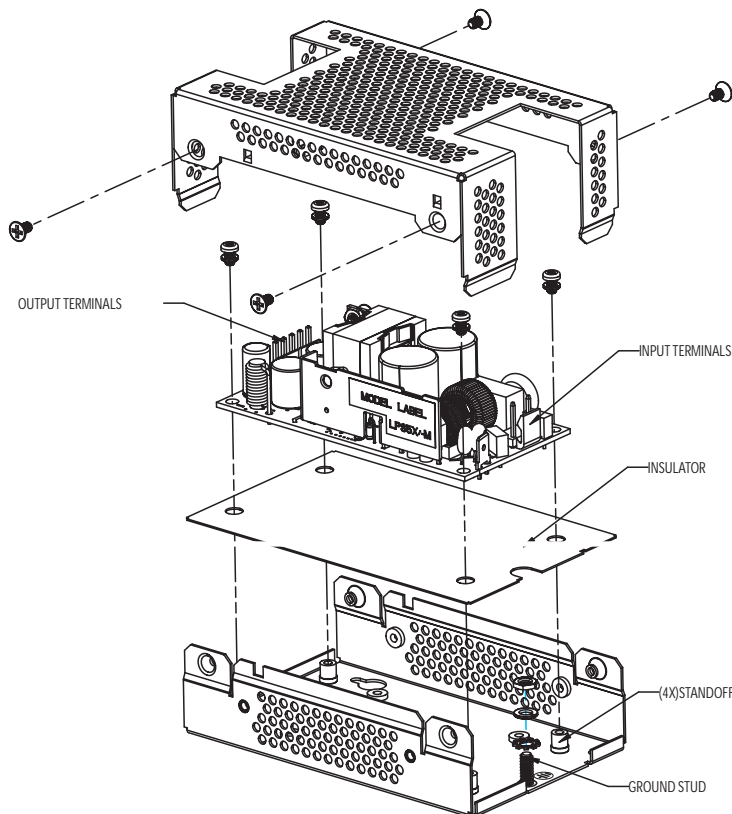
Installation Notes

LPX50 • Cover Enclosure Kit

LPX50 will fit the LPX5X power supplies.

Materials

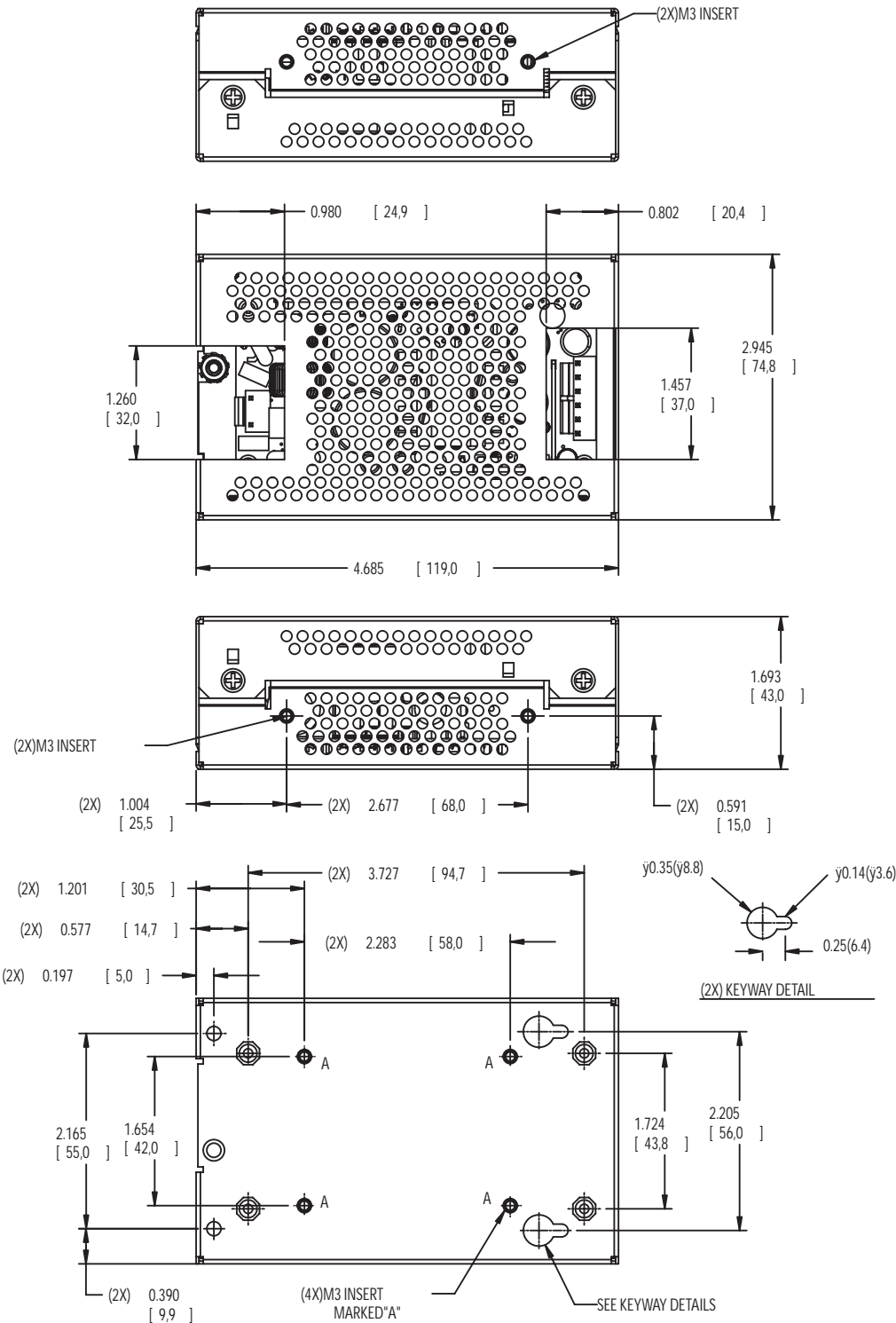
- 1 Base
- 1 Cover
- 4 M3X6mm Pan head screws with spring washer
- 4 M3X6mm countersunk screws
- 1 M4 nut
- 1 M4 star washer
- 1 M4 spring washer
- 1 Plastic insulator sheet



Notes

1. All dimensions are in inches (mm)
2. Overall dimensions: 4.685 (119.0) x 2.945 (74.8) x 1.693 (43.0)
3. Base plate has three sets of customer mountings:
 - a. Bottom mounting (4X) M3 inserts. Max. screw penetration 0.0787 (2mm)
 - b. Bottom mounting (2X) 4mm clear holes plus 2 keyways. (see keyway detail)
 - c. Side mountings (4X) M3 inserts. Max. screw penetration 0.236 (6mm)
4. Ensure insulator is correctly fitted in base under PCB to maintain safety creepage and clearances.
5. Ensure base is firmly connected to supply earth via the earth stud marked \oplus
6. When using this enclosure, ensure that relevant safety standards (e.g., EN60950) are complied with, in respect to creepage and clearance distances, and distances through insulation.





Astec Power

5810 Van Allen Way
Carlsbad, CA 92008
USA
Telephone: +1 760 930 4600
Facsimile: +1 760 930 0698
Technical Support: +1 888 41 ASTEC
or +1 407 241 2752

Waterfront Business Park
Merry Hill, Dudley
West Midlands, DY5 1LX
United Kingdom
Telephone: +44 (0) 1384 842 211
Facsimile: +44 (0) 1384 843 355

Units 2111-2116, Level 21
Tower 1, Metroplaza
223, Hing Fong Road
Kwai Fong, New Territories
Hong Kong
Telephone: +852 2437 9662
Facsimile: +852 2402 4426

For global contact, visit:

www.astecpower.com
technicalsupport@astec.com

While every precaution has been taken to ensure accuracy and completeness in this literature, Astec Power assumes no responsibility, and disclaims all liability for damages resulting from use of this information or for any errors or omissions.

Printed in USA

Emerson Network Power.

The global leader in enabling business-critical continuity.

- AC Power
- Connectivity
- DC Power
- Embedded Power**
- Inbound Power
- Integrated Cabinet Solutions
- Outside Plant
- Precision Cooling
- Site Monitoring and Services

EmersonNetworkPower.com

Emerson Network Power and the Emerson Network Power logo are trademarks and service marks of Emerson Electric Co.
©2005 Emerson Electric Co.